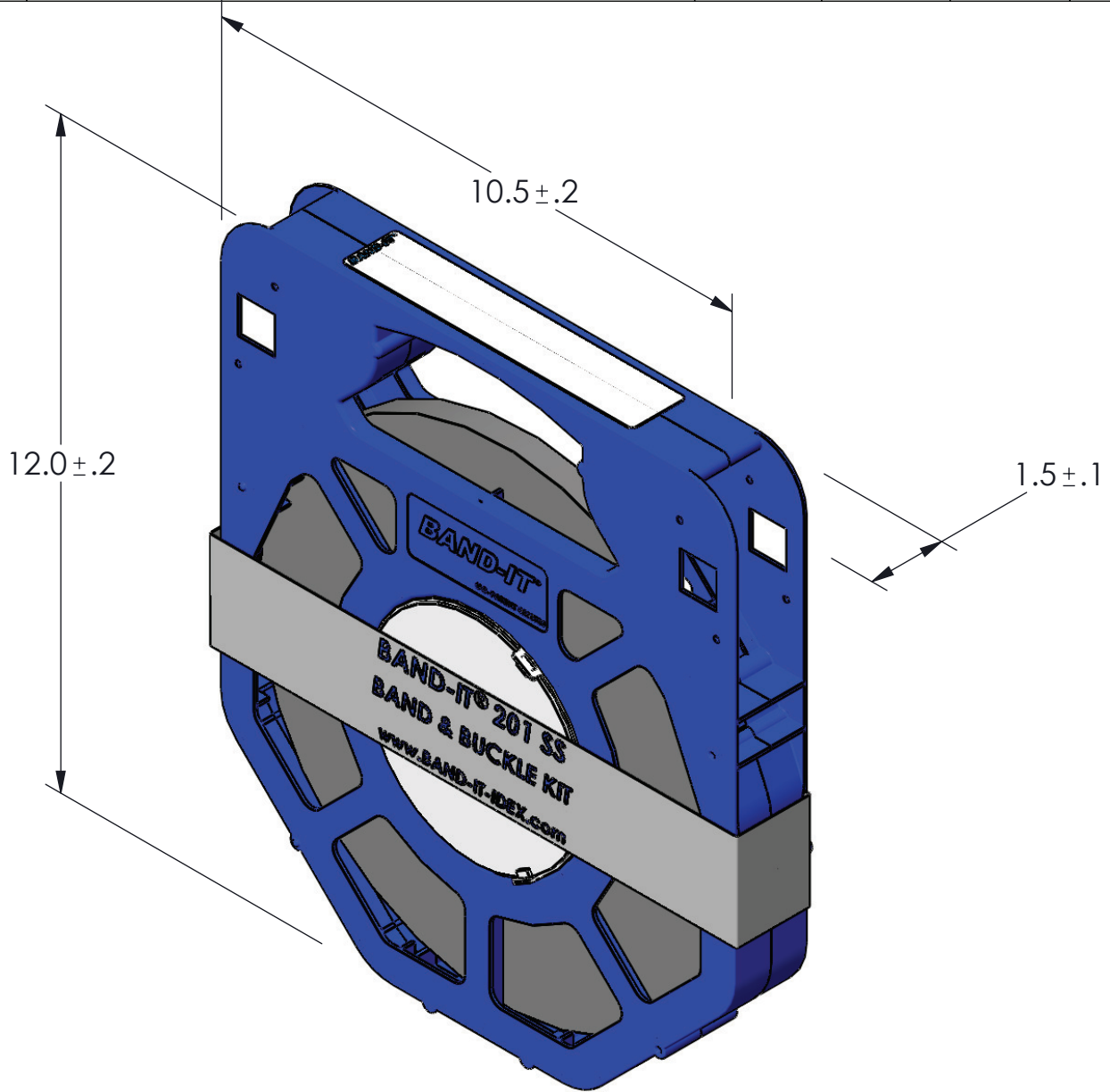


CUSTOMER SPECIFICATION DRAWING

PART NUMBER	DESCRIPTION	BUCKLE QTY	MATERIAL		WEIGHT (LBS)
			BUCKLE	BAND	
GR204B	BAND & BUCKLE KIT, 201SS, 1/2" X 100', BLUE	35	201 SS	201 SS	6.13
GR206B	BAND & BUCKLE KIT, 201SS, 3/4" X 100', RED	25			8.88



BAND-IT®

A unit of ~~IDEX~~ Corporation
P.O. Box 16307
Denver, Colorado U.S.A.

PROPRIETARY AND CONFIDENTIAL

THIS DRAWING WITH ALL CONTENTS IS PROPERTY OF BAND-IT-IDEX, INC. REPRODUCTION, DISCLOSURE OR MFG. OF MATTER SHOWN IS PROHIBITED WITHOUT WRITTEN PERMISSION. DO NOT SCALE DRAWING. UNLESS OTHERWISE NOTED, DIMENSIONS ARE IN INCHES AFTER FINISH.

TITLE:

**BAND & BUCKLE KIT,
201 SS, TAB, GRAINGER**

DWG. NO.

GR200

REV C