

A Division Of MooreCo™



Installation Instructions

1. Inspect all materials thoroughly before installation. If any materials are found to be damaged or defective - DO NOT INSTALL- notify shipper or delivering carrier at once.
2. Establish proper locations and mounting heights. Mark all positions and locations on walls including level lines.
3. Fasten the long leg of lower mounting angles to wall in level position using necessary shims and wall fasteners required for true alignment. Fasten screws into studs or blocking provided in walls. See illustration #1.
4. Fasten the long leg of upper mounting angle to wall in level position allowing $\frac{1}{8}$ " additional space than the actual overall height of the board. Pull screws up snug but NOT tight. Keep screws at lower edge of slotted holes. All screws into the wall should be attached into the studs or into blocking where available. see illustration #2.
5. Set the Case into position by resting the bottom edge on the lower mounting angle and pressing firmly against the wall. Hold in place while fastening the short screws supplied through the pre-punched holes in the short leg of the hanging clips at the bottom edge of the Case. See illustration #4.
6. Tap upper mounting angles down (using a wood block) until they are touching the top edge of the frame and fasten through the pre punched holes in the short leg of the hanging clip with the short screws provided. See illustration #4.
7. Clean the trim of the Case with a mild detergent to remove any scuff marks that may have occurred in shipping or during installation. remove the plastic protective coating and clean with an ammonia based glass cleaner prior to first use.

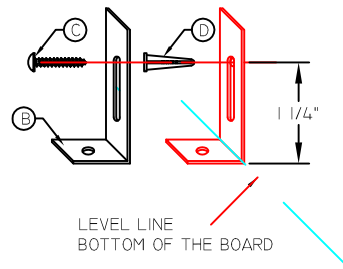


ILLUSTRATION # 1

LOWER MOUNTING ANGLE

NOTE:
DRILL 1 1/4" ABOVE THE LEVEL LINE FOR BOTTOM OF THE BOARD TO INSTALL MOUNTING ANGLE. SEE ILLUSTRATION

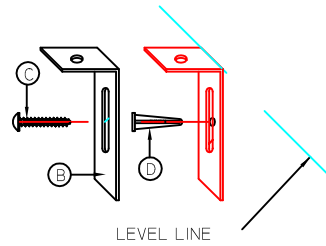
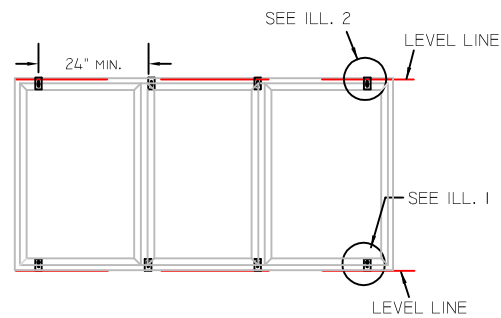


ILLUSTRATION # 2

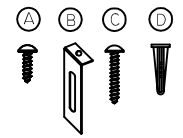
UPPER MOUNTING ANGLE

NOTE:
DRILL 1" BELOW THE LINE FOR TOP OF THE BOARD FOR INSTALLING MOUNTING ANGLE. SEE ILLUSTRATION

ILLUSTRATION # 3



HARDWARE FOR MOUNTING BOARD



(D) BLOCK WALLS ONLY

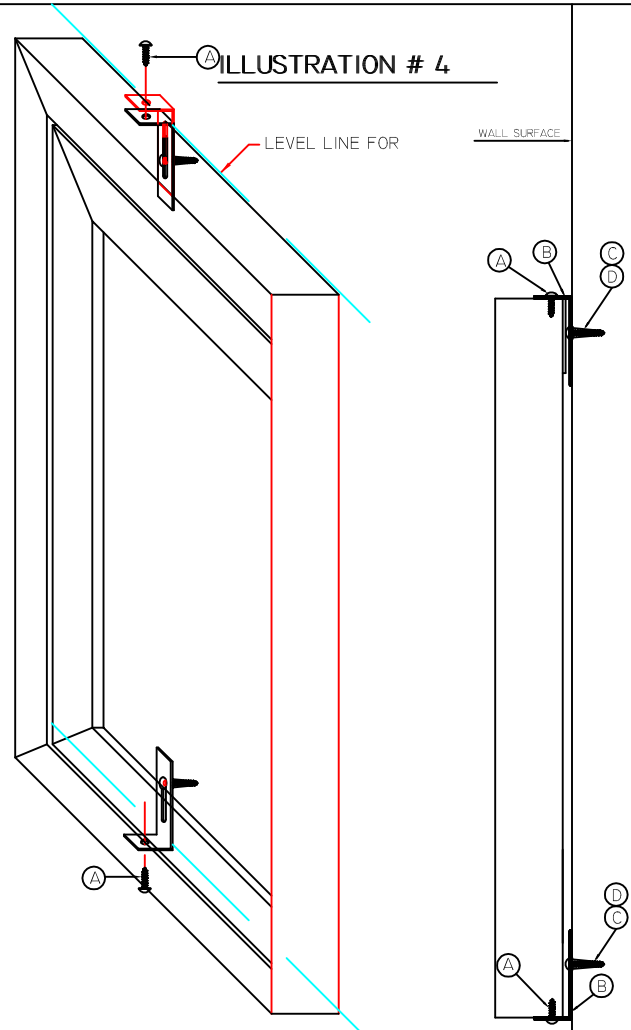


ILLUSTRATION # 4