

CUBE RELAY, MULTIFUNCTION



MC360 Timers

Created for OEMs and designers seeking significant flexibility at the prototype stage, MC360 series are multifunction timers with dipswitch settings, adjustable potentiometers, relay output and LED indicator.

Extremely versatile, the MC360 offers extensive options for products or systems under development, as well as one-of-a-kind solutions.

With nine single-setting timing modes and two dual-setting timing modes available in a single unit, and time delays from 1 to 100 seconds or 1 to 100 minutes, the MC360 series is a cost-effective solution for fine-tuning timing functions in myriad applications.

Easy to order, easy to use.

FEATURES

- Multifunction, accurate timing
- Binary dipswitch settings, 11 timing modes
- Wide range of timing delay settings
- Wide selection of AC and DC input voltages
- Totally encapsulated for protection from harsh environments

- 100% operational testing



- RoHS compliant

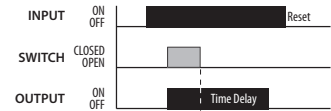
Multiple Timing Modes in One Timer

SINGLE-SETTING TIMING MODES

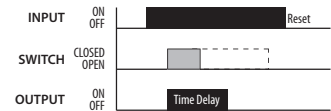
1 Delay on Make
 see TGC, catalog pg 16



2 Delay on Break
 see TGM, pg 46



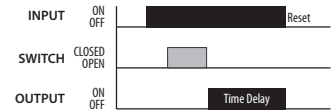
3a Single Shot on Make
 see TGP, pg 112
 with switch between T1 and T2, delay starts when switch closes



3b Interval On
 see TGL, pg 138
 with wired connection between T1 and T2, delay starts with Power On and de-energizes at end of time delay. Resets with Power Off.



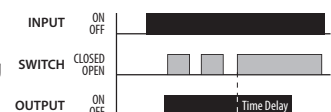
4 Single Shot on Break
 see TGPS, pg 120



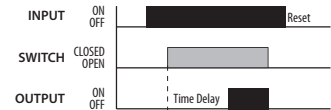
5 Retriggerable Interval
 Missing Pulse Detector/Watchdog
 see TGLR, pg 168
 Power On transfers relay



6 Retriggerable Single Shot
 Missing Pulse Detector/Watchdog
 see TGMPL, pg 170
 with continuous power, closing Control Switch transfers relay



7 Delay on Make with Initiate



8 Repeat Cycle On/Off Delay
 see TGKA, pg 84



DUAL-SETTING TIMING MODES

9 Repeat Cycle On/Off Delay
 see TGKAD, pg 92



10 Repeat Cycle Off/On Delay
 see TGKD, pg 88



BASIC WIRING AND DIMENSIONS

Single Time Settings

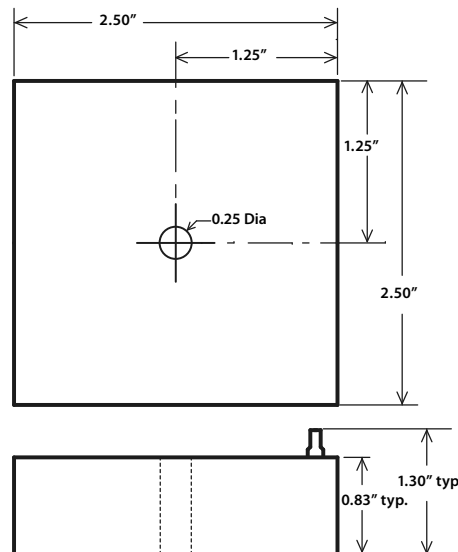
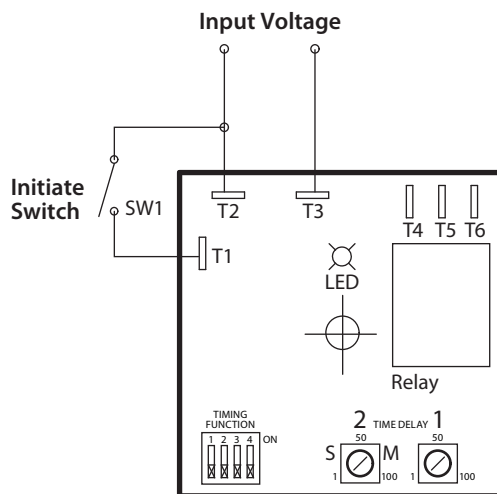
Dipswitch Settings				Timing Mode	Reference	
SWITCH	1	2	3	4		
0	0	0	0	TGC	Delay on Make	
0	0	0	1	TGM	Delay on Break	
0	0	1	0	TGP / TGL	SS on Make/Interval On	
0	0	1	1	TGPS	Single Shot on Break	
0	1	0	0	TGLR	Retriggerable Interval	
0	1	0	1	TGMPL	Retriggerable Single Shot	
0	1	1	0	TGC	Delay on Make with Initiate	
0	1	1	1	TGKA	Repeat Cycle On/Off Delay	

Pot 1 selects 1-100, Pot 2 selects Seconds or Minutes

Dual Time Settings

Dipswitch Settings				Timing Mode	1st Delay	2nd Delay
SWITCH	1	2	3	4	Reference	
1	0	0	0	TGKAD On/Off	1s to 100s	1s to 100s
1	0	0	1		1s to 100s	1m to 100m
1	0	1	0		1m to 100m	1s to 100s
1	0	1	1		1m to 100m	1m to 100m
1	1	0	0	TGKD Off/On	1s to 100s	1s to 100s
1	1	0	1		1s to 100s	1m to 100m
1	1	1	0		1m to 100m	1s to 100s
1	1	1	1		1m to 100m	1m to 100m

Pot 1 selects first delay, Pot 2 selects second delay



SPECIFICATIONS

Input Voltage: 24, 120 or 230VAC, 50 / 60Hz, ±10%
12 or 24VDC, ±10%

Output current: 10A resistive, max.

Single-Setting Time delay: *via pots*
Adjustable from 1 second to 100 minutes

Dual-Setting Time delays: *via dipswitches and pots*
Adjustable from 1 second to 100 minutes

Timing function: Multiple timing modes available

Repeatability: 0.1% or 20mS, whichever is greater

Time delay accuracy: 2.5% or 50mS, whichever is greater

Recycle / Start-up time delay: 250mS, typ.

Temperature Ranges: *Storage:* -40°C to +85°C
Operating: -25°C to +60°C

Mechanical: 2.5" x 2.5" case, Surface mount with one #8 or #10 screw
0.25" QC terminals for input and output

Protection: Encapsulated circuitry, MOV transient protection, passes EFT test at 2500V

OPTIONS SELECTION

Mode of Operation	Series	Part Number	Input Voltage
Multi-function and Resettable	MC360	MC1003601H	120VAC
		MC2003601H	230VAC
		MC3003601H	24VAC
		MC7003601H	12VDC
		MC4003601H	24VDC

EXAMPLE MC 100 360 1H

MC360 multifunction timer with 10A output, 120VAC input, and single pole/double throw relay