

# 120/277 VAC

## Power Packs & Slave Packs

APPLICABLE SERIES

WIRING DETAILS

NOTES

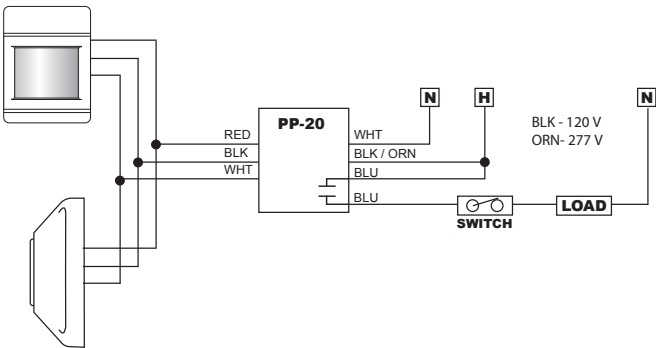
PP-20  
SP-20  
PP-20-2P

### STANDARD WIRING

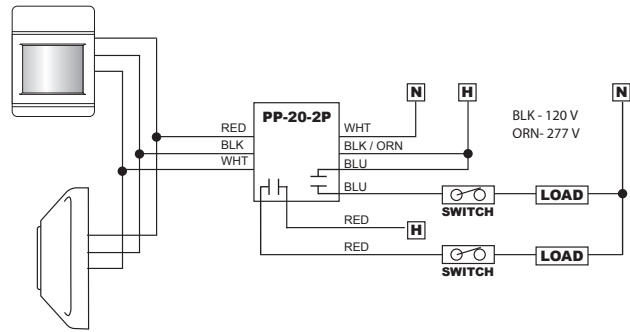
The Power Pack must be connected to a single phase Hot and Neutral System. For 120 VAC, connect the Black wire to Hot, White wire to Neutral, and Cap off the Orange wire. For 220-277 VAC, connect the Orange to Hot, White to Neutral, and Cap off the Black wire. *Never connect both the Black and Orange wires!* Low Voltage wire can be 18 to 22 AWG; shielding is not necessary. Class II terminal Block on PP-20-2P only accepts one conductor per terminal of 18 AWG stranded or smaller.

DO NOT WIRE HOT

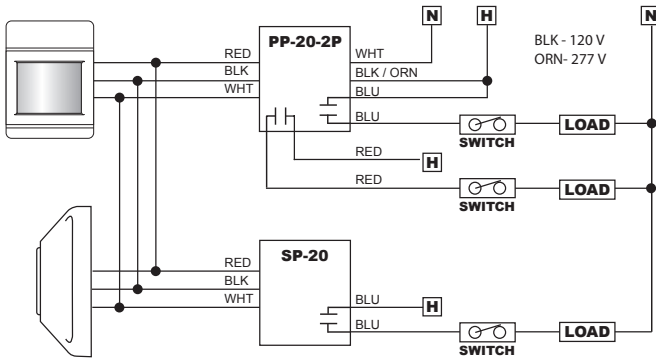
#### Multiple Sensors Controlling One Circuit



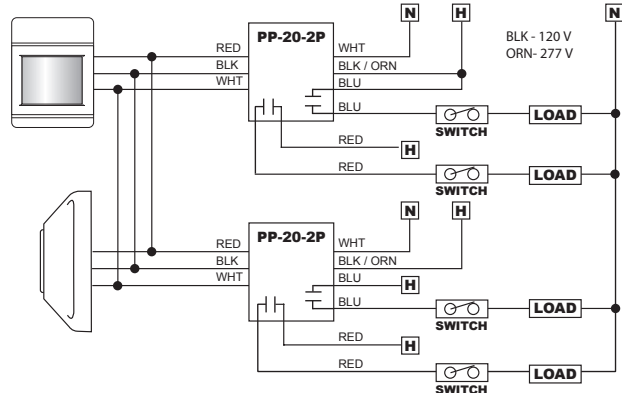
#### Multiple Sensors Controlling Two Circuits



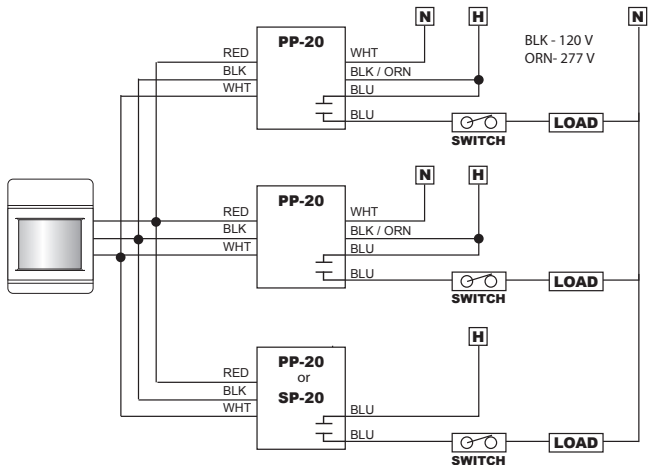
#### Multiple Sensors Controlling Three Circuits



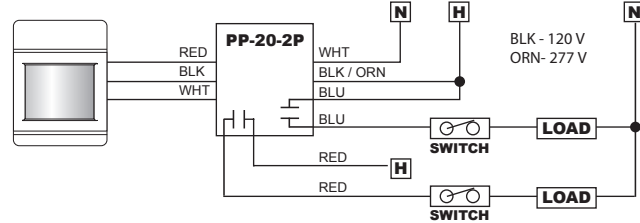
#### Multiple Sensors Controlling Four Circuits



#### Wiring Multiple Power Packs Together



#### One Sensor Controlling Two Circuits



#### One Sensor Controlling One Circuit

