

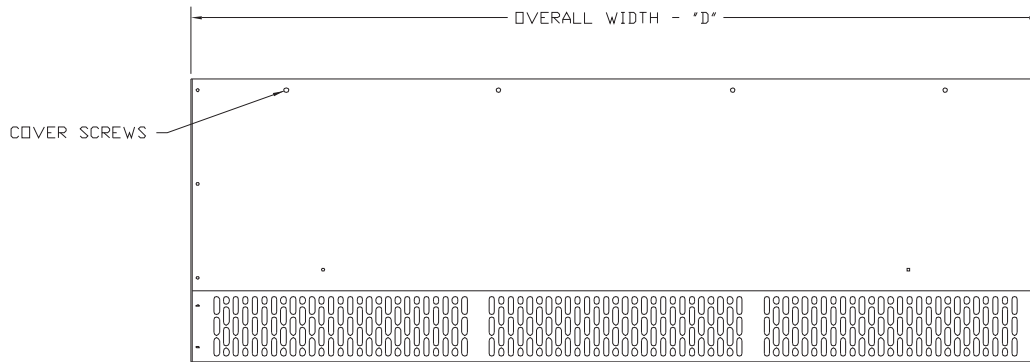
# THE ARISTOCRAT

AIR DOOR  
ELECTRIC HEATED  
THREE SPEED

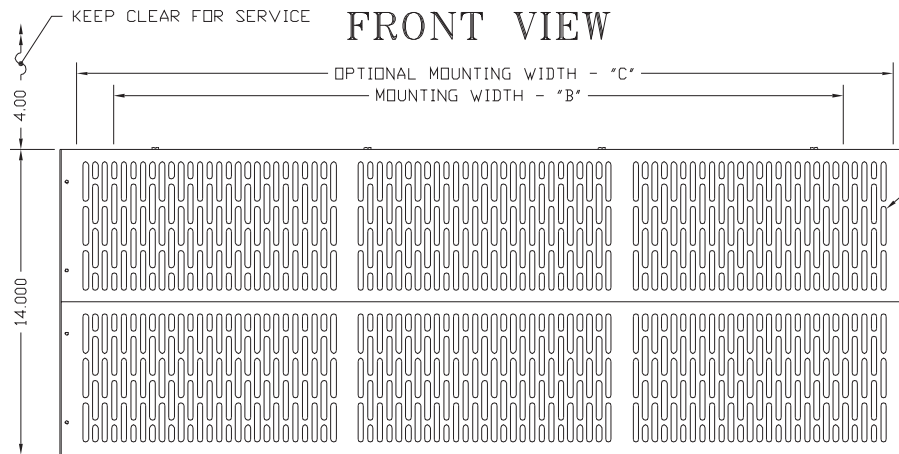
## NOTES:

- ① AIR CURTAIN MUST BE INSTALLED SO AIR STREAM IS NOT OBSTRUCTED WHEN DEFLECTED 20° TO EITHER SIDE OF C.
- ② ELECTRICAL CONNECTIONS ARE TO BE FLEXIBLE.
- ③ FIELD VERIFY DIMENSIONS.
- ④ ANCHORS TO SUPPORTING STRUCTURE TO BE SUPPLIED BY OTHERS.
- ⑤ ADEQUACY OF SUPPORTING STRUCTURE IS TO BE VERIFIED BY A PROFESSIONAL STRUCTURAL ENGINEER.

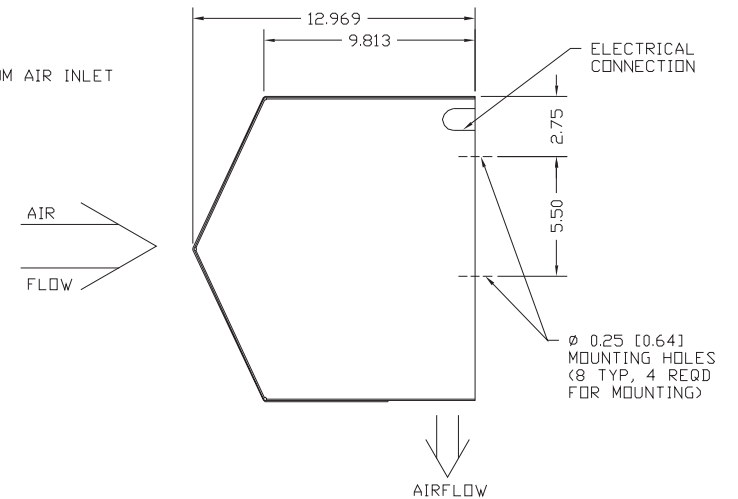
## TOP VIEW



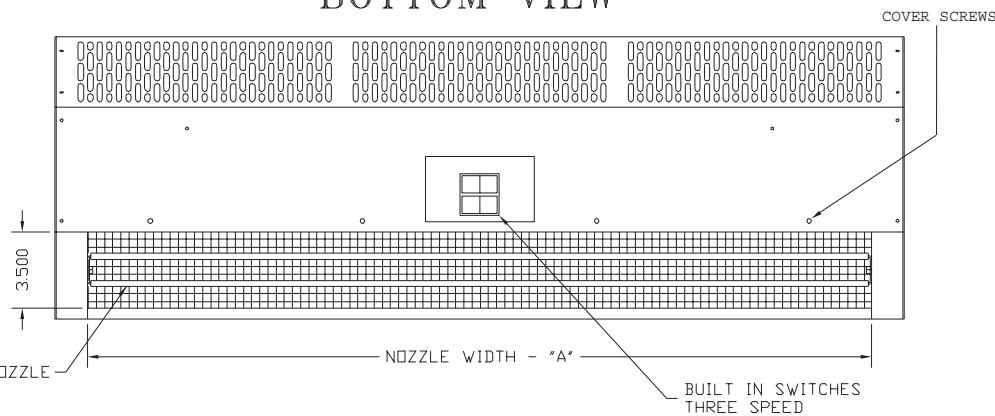
## FRONT VIEW



## END VIEW



## BOTTOM VIEW



GRAINGER ITEM NO.	MODEL	NOZZLE "A"	MOUNTING "B"	MOUNTING "C"	OVERALL "D"
6JGF0	ASR1036EZ-3X-G	36.00 [91.44]	33.50 [85.09]	37.50 [95.25]	39.00 [99.06]
6JGF1	ASR1048EZ-3X-G	48.00 [121.92]	45.50 [115.57]	49.50 [125.73]	51.00 [129.54]
6JGF2	ASR2072EZ-150-3X-G	72.00 [193.04]	69.50 [176.53]	73.50 [186.69]	75.00 [190.50]

DWG. NO.	LWAY0107	TITLE:	BERNER MODEL ARISTOCRAT AIR DOOR 3-SPEED ELECTRIC HEATED
DATE	08OCT10	BY	
REPLACES		BERNER INTERNATIONAL CORP. NEW CASTLE, PA.	
PDF. NO.	ASR-36-48-72EZ-SUB		