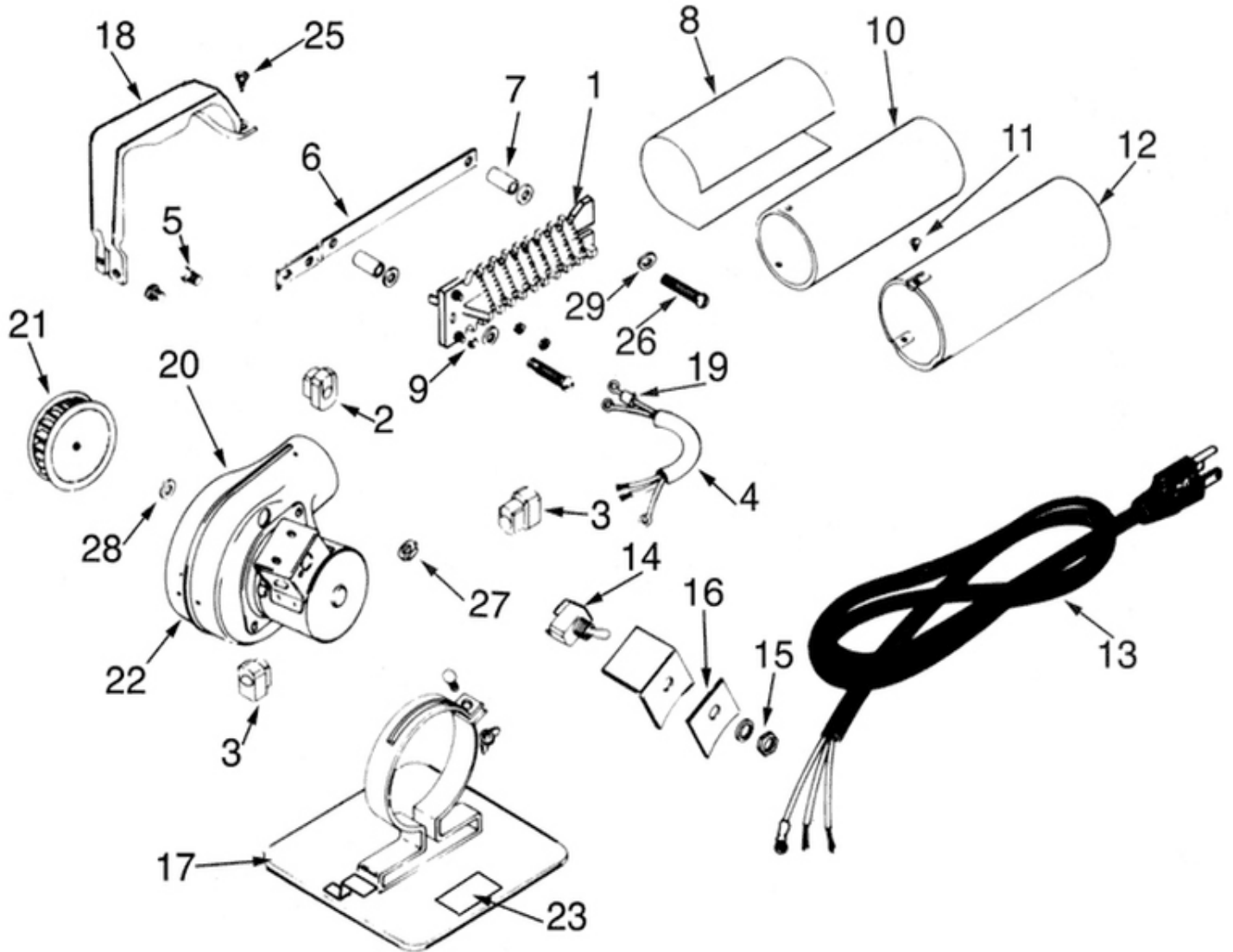


MASTERFLOW HEAT BLOWER PARTS BREAKDOWN



MASTERFLOW HEAT BLOWER REPLACEMENT PARTS

Item #	WWG #	MODEL #	DESCRIPTION
1	25WA93	815	ELEMENT, AH-301
1	25WA94	816	ELEMENT, AH-302
1	1A505	30310	ELEMENT, AH-501

MASTERFLOW HEAT BLOWER REPLACEMENT PARTS (PG. 2)

<u>Item #</u>	<u>WWG #</u>	<u>MODEL #</u>	<u>DESCRIPTION</u>
1	22NP20	30311	ELEMENT, AH-502
1	1A506	30312	ELEMENT, AH-751
1	22NP21	30313	ELEMENT, AH-752
2	25VZ63	GRT-019	STRAIN RELIEF, BLOWER HOUSING
3	25VZ62	GRT-023	STRAIN RELIEF, SWITCH HOUSING
4	25VZ66	805	LEAD WIRE, W/THERMAL FUSE (SWITCH TO ELEMENT)
5	25WC50	823	SCREW, ELEMENT BRACKET MOUNTING (KIT OF 2)
6	25WA95	824	BRACKET BAR, 300°F MODELS
6	25VZ52	825	BRACKET BAR, 500°F & 750°F MODELS
7	25VZ53	826	SPACER, BRACKET (KIT OF 2) 300°F MODELS
7	25VZ55	51535	SPACER, BRACKET (KIT OF 2) 500°F & 750°F MODELS
8	25VZ54	827	MICA, 500°F & 750°F MODELS
8	25WA36	51376	MICA, 300°F MODELS
9	25VZ58	833	NUT, ELEMENT WIRE MOUNTING (KIT OF 2)
10	25WA98	836	NOZZLE, 300°F MODELS
10	25VZ59	837	NOZZLE, 500°F & 750°F MODELS
11	25VZ60	838	SCREW, NOZZLE (KIT OF 3)
12	22NP28	839	SHIELD, 500°F & 750°F MODELS
12	25WA35	51207	SHIELD, 300°F MODELS
13	25VZ61	842	CORDSET, 120V, AH-301 & AH-501
13	25WC08	50924	CORDSET, 120V, AH-751
14	25VZ64	845	SWITCH
15	25VZ65	846	NUT, SWITCH (FURNISHED W/SWITCH)
16	25WC56	847	SWITCH PLATE
17	25VZ70	20108	STAND, ADJUSTABLE
18	25VZ68	50737	HANDLE
19	25VZ67	50927	THERMAL FUSE, W/TERMINAL & SHRINK SLEEVE
20	25WA31	50977	LABEL, WARNING (ALL MODELS)
21	25WA02	50989	BLOWER WHEEL, METAL
22	25VZ72	51008	MOTOR, BLOWER ASSEMBLY, 120V
22	25WA32	51009	MOTOR, BLOWER ASSEMBLY, 220V
23	25WA37	51411	LABEL, WARNING (ALL MODELS)
25	25VZ69	56003	SCREW, HANNDLE (KIT OF 4)
26	25VZ57	56012	SCREW, BRACKET (KIT OF 2)
27	25VZ71	56021	NUT, ELASTIC STOP
28	25WD28	56075	LOCKWASHER (UNDER 1 COVER SCREW)
29	25VZ56	60066	WASHER, BRACKET (ALL MODELS) (KIT OF 4)