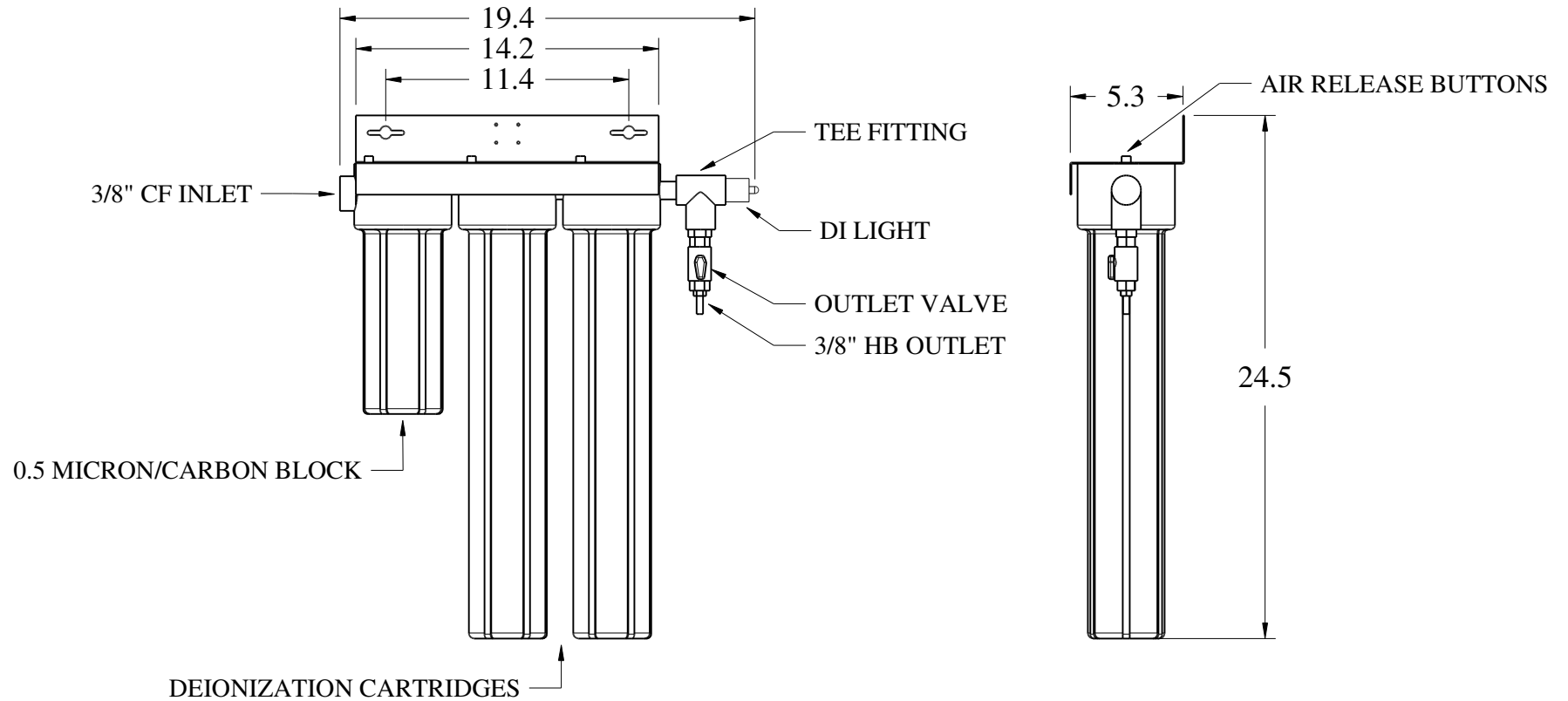



**NOTES:**

1. HIGH PURITY: 200K Ohms SET POINT LIGHT
2. HIGH CAPACITY: 50K Ohms SETPOINT LIGHT
3. MAX PRESSURE: 100 PSI
4. MAX TEMP: 100 F'

REVISIONS				
ZONE	REV	DESCRIPTION	DATE	APPROVED



	DRAWN KMC	DATE 12/12/12	HYDRA-122-DI			
	CHECKED JB	DATE 12/12/12				DEIONIZED WATER SYSTEM
	QA HRD	DATE 12/12/12	SIZE <b>A</b>	FSCM NO.	DWG NO. <b>HY-122-DI</b>	
Materials: N/A	MFG KMC	DATE 12/12/12	SCALE N/A	SHEET		1 OF 1
Finish: N/A	APPROVED FF	DATE 12/12/12				