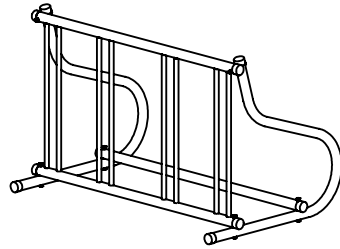
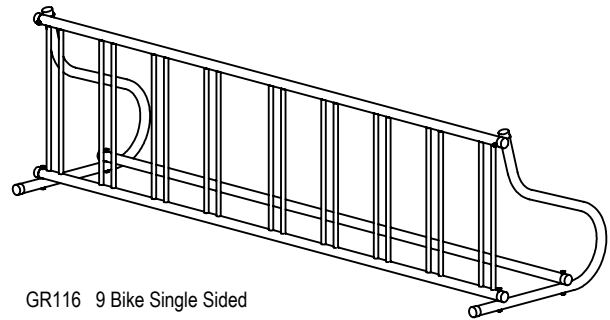




GRIDRAC GR114-116 ASSEMBLY INSTRUCTIONS



GR114 4 Bike Single Sided



GR116 9 Bike Single Sided

Fig. 1

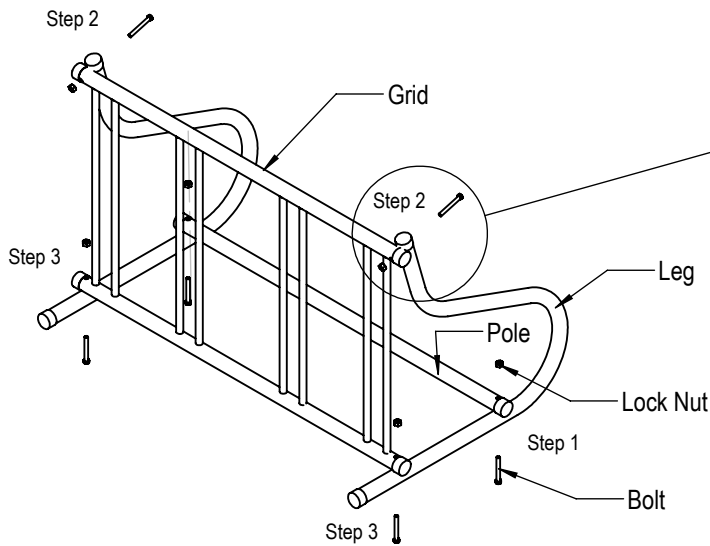
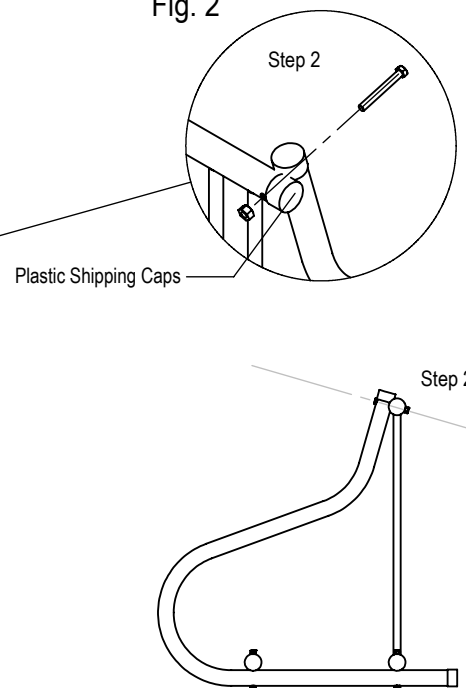


Fig. 2



Check parts list to ensure that you have received all the parts.

Step 1. Insert Bolt upward through hole nearest the curved portion of Leg and Pole. Fasten loosely with Lock Nut. Repeat by attaching other Leg to Pole.

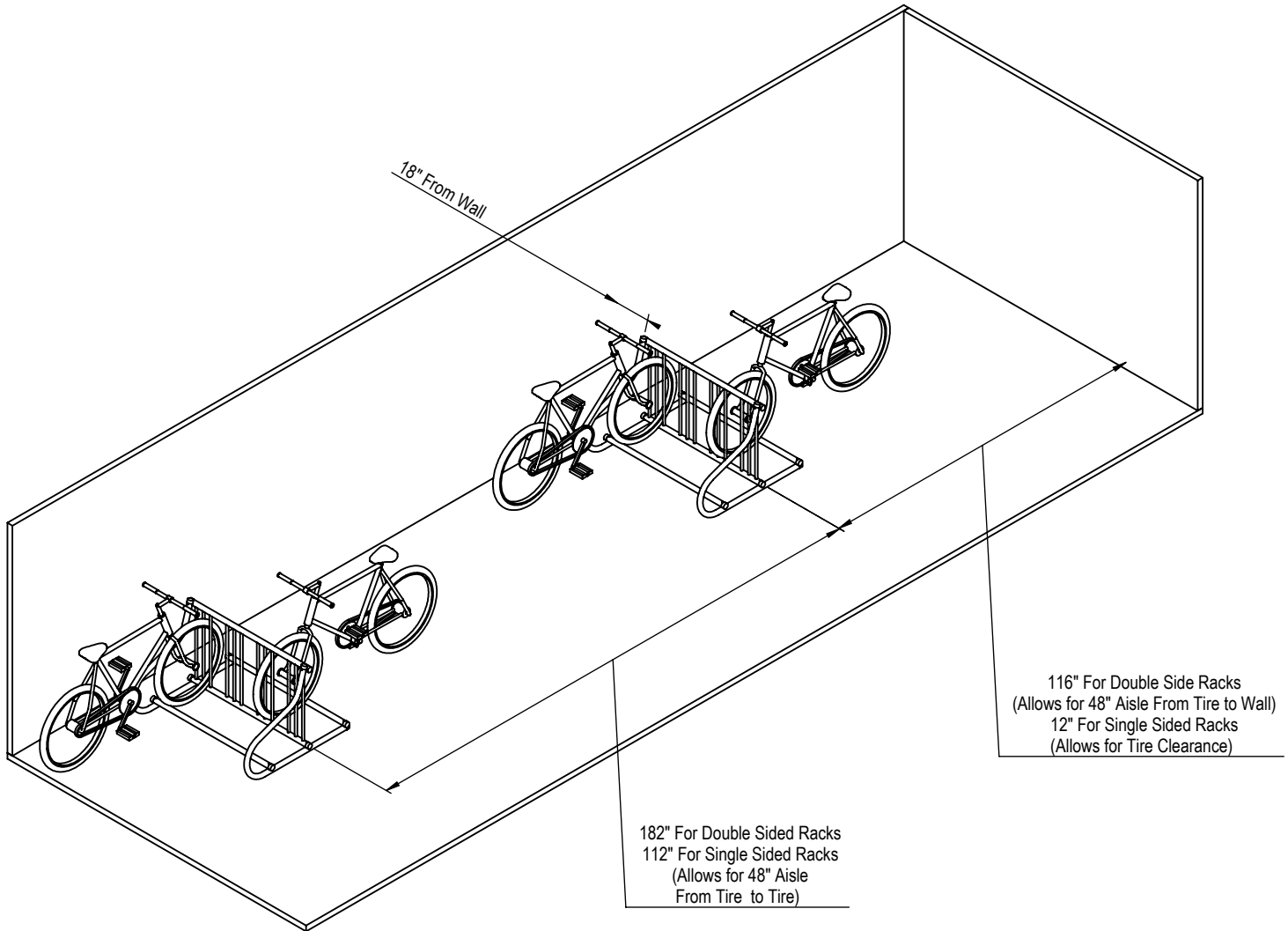
Step 2. Insert Bolt through hole at the top of the Leg and end of Grid. NOTE: Grid must be positioned such that the holes align with Leg holes. See Figure 2. Fasten loosely with Lock Nut. Repeat by attaching other Leg to Grid.

Step 3. Align bottom holes of Grid with last hole of Legs. Insert Bolt upward and fasten loosely with Lock Nut. Repeat by attaching other Leg to Grid.

Step 4. Complete assembly by tightening all fasteners.

Parts List

Part	Quantity
Legs	2
Grid	1
Poles	1
3/8"-16x3 1/2" Hex Bolt	6
3/8"-16 Lock Nuts	6



Gridrac Rack Installation Guide

CHECK LOCAL CODES

Installation Guide Applies to The Following Madrax Bike Racks:

- Gridrac
- Grand Stand
- Uptown

DATE: 7-11-12
ENG: SMC

There must be at least a six foot clear walkway from buildings to comply with the American with Disabilities Act. The bicycle rack cannot be located directly in front of a store entrance or exit, nor in a driveway. The bicycle rack cannot be located closer to the curb than two feet. Three feet from curb is ideal, although in certain circumstances, the distance may be greater.

The footprint of a bicycle is approximately 2 feet by 6 feet. Some handlebars can be as much as 30 inches wide.

NOTES:

1. INSTALL BIKE RACKS ACCORDING TO MANUFACTURER'S SPECIFICATIONS.
2. CONSULTANT TO SELECT COLOR(FINISH), SEE MANUFACTURER'S SPECIFICATIONS.
3. SEE SITE PLAN FOR LOCATION OR CONSULT OWNER.

CONFIDENTIAL DRAWING AND INFORMATION IS NOT TO BE COPIED OR DISCLOSED TO OTHERS WITHOUT THE CONSENT OF GRABER MANUFACTURING, INC., FORMERLY TRILARY, INC. SPECIFICATIONS ARE SUBJECT TO CHANGE WITHOUT NOTICE.