

VOLTAGE

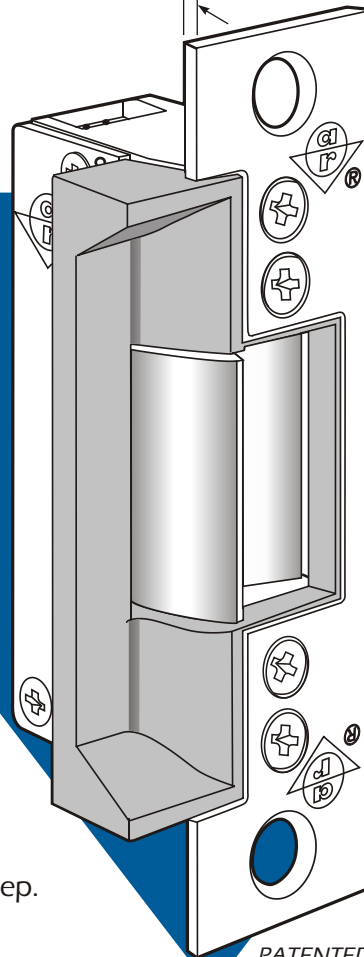
Available in 12 or 24 volt AC and DC. DC Continuous units are silent, AC intermittent units "buzz" on operation.

CURRENT DRAW/AMPS

Volts	AC Int.	DC Cont.
12	1.42	.33
24	.74	.17

(Fits Standard Mounting Tab ANSI Prep)

3/32"

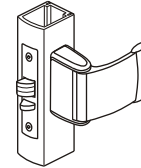


PATENTED

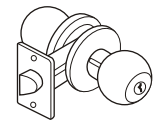
7140

ANSI/BHMA Type EO9321 (Grade 1)

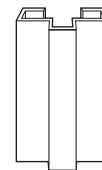
LATCH TYPE



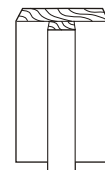
Adams Rite or Cylindrical Latches with 1/2" to 5/8" Projection.



DOOR FRAME TYPE



Hollow Metal Jamb & Doors



Wood Jamb & Doors

UL Listed for Burglary Resistance

Case

Approx. 1" x 3-3/8" x 1-5/8" deep. Made of Zinc-aluminum alloy.

Strike Lip

Basic 7140 strikes have lip of proper length for 1-3/4" thick door that closes flush with jamb edge. Where door thickness or jamb shape differs from this standard relationship, extended lip is available, specified by last dash number.

Function

Remote electrical control of any door equipped with cylindrical (key-in-knob/lever) type latchsets listed above. Electrical actuation unlocks strike jaw, releasing latchbolt, so door can be opened without operating latch itself. Extremely compact mechanism fits into jamb sections as shallow as 1-5/8". Fits existing preps for 7840AN and 7850/7040.

Strike Opening

5/8" x 1-7/16" x 1/2" deep. Bolt retainer jaw is made of stainless steel.

Faceplate

Measures 1-1/4" x 4-7/8". Faceplate is flat, with square corners. Available in a wide range of architectural finishes.

Fail Safe/Fail Secure

Field convertible from one mode to the other. However, AC intermittent solenoid must not be used continuously in either.

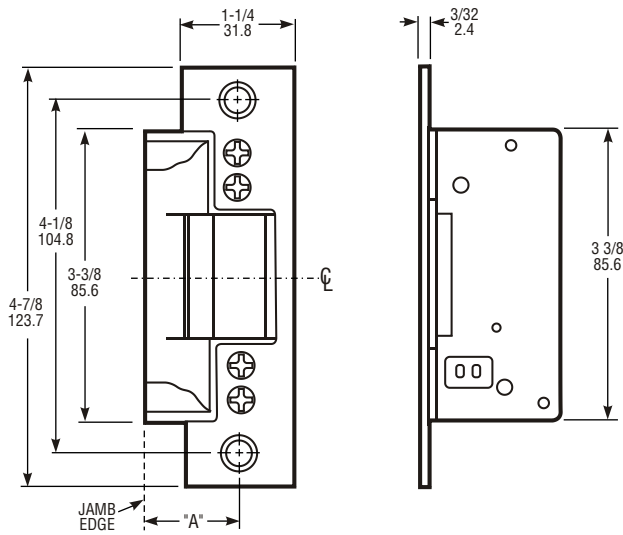
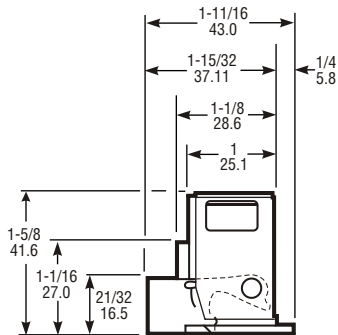


7140 Electric Strike

DIMENSIONS

INCHES
MILLIMETERS

Nominal, subject to tolerance extremes.

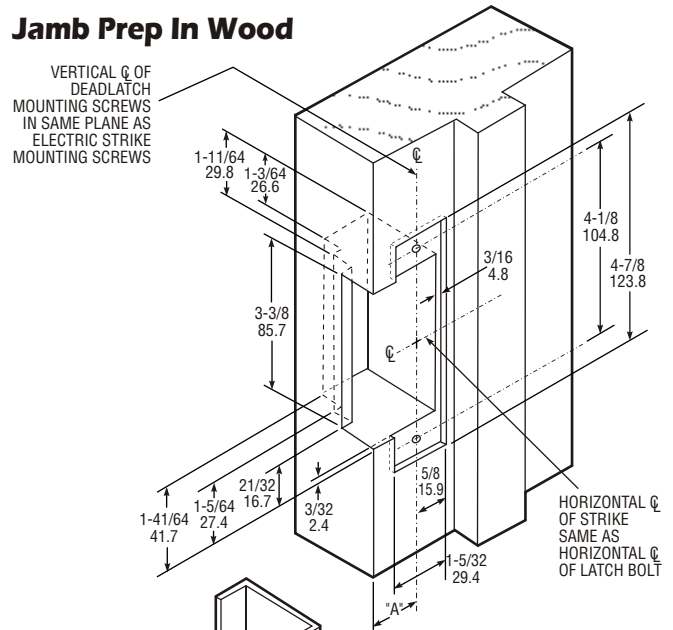


STANDARD UNIT FITS DIM. "A"
UP TO 1-1/16" (SEE DASH NO.)

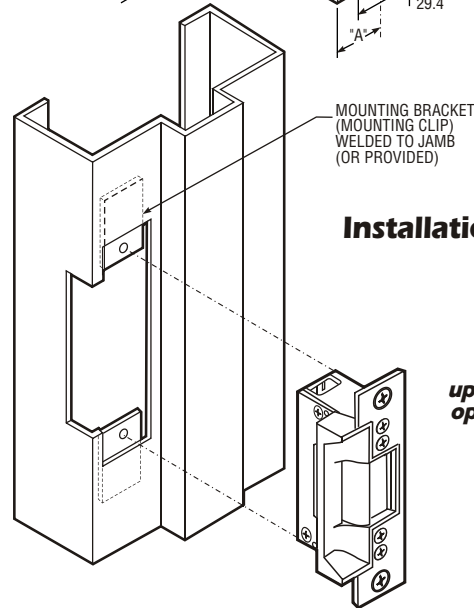
MOUNTING BRACKETS
FURNISHED

INSTALLATION

Jamb Prep In Wood



Installation In Steel



Turn strike
upside down for
opposite hand.

HOW TO ORDER

Specify quantity and the following information.
Order 4603 Rectifier and/or 4605 or 4606 Transformer separately.

Voltage

- 3 12 Volt
- 5 24 Volt

Current & Duty

- 1 DC Continuous or Intermittent
- 4 AC Intermittent

Features*

- 0 Std/Fail-Secure
- 5 Fail-Safe

7140 - 310 - 628 - 00

Finish

- 628 Clear Anodized
- 313 Dark Bronze Anod.
- 335 Black Anodized
- 626 Satin Chrome

Lip Extension (Dim. "A")

- (Door Centerline to Jamb Edge)
- | | |
|------------------|----------|
| 00 1.06" or less | 07 2.25" |
| 50 1.38" | 08 2.38" |
| 01 1.50" | 09 2.50" |
| 02 1.63" | 10 2.63" |
| 03 1.75" | 11 2.75" |
| 04 1.88" | 12 2.88" |
| 05 2.00" | 13 3.00" |
| 06 2.13" | |

*Fail-secure can be field converted to fail-safe or vice-versa.

STANDARD PACKAGE

Individually boxed with mounting screws. Includes mounting clips and adhesive shims for use where welded tabs are omitted.

OPTIONS

Choice of voltage in AC and DC for intermittent or continuous duty. Available with extended strike lip (see chart). Specify assembled for either fail-secure (locked when unpowered) or fail-safe (locked when powered) operation, but can be field-converted to the other mode.

4603 Rectifier - Converts AC to DC, installs in low voltage line between transformer and strike. Rated 2 amps. (200 PIV).

4605 Transformer - Converts 120VAC to 12/24VAC. Rated 40 Volt-amp output assures plenty of power for strike release. Patented mounting bracket fits in knockout hole of standard junction boxes.

4606 Transformer - Plug-in version for standard wall outlet.

See separate specification sheet for more information on Strike options.