

### VOLTAGE

Available in 12 or 24 volt AC and DC. DC Continuous units are silent, AC intermittent units "buzz" on operation.

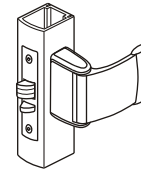
### CURRENT DRAW/AMPS

Volts	AC Int.	DC Cont.
12	1.42	.33
24	.74	.17

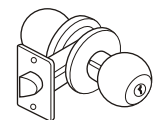
## 7130, 7131

ANSI/BHMA Type EO9321 (Grade 1)

### LATCH TYPE



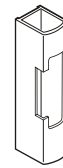
Adams Rite or Cylindrical Latches with 1/2" to 5/8" Projection.



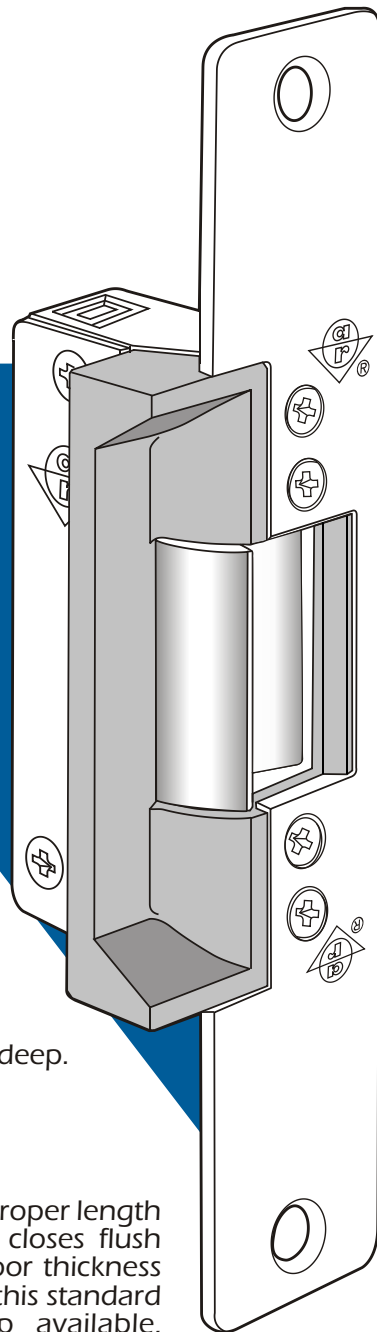
### DOOR FRAME TYPE



**7130**  
Aluminum Jamb



**7131**  
Aluminum Stiles



PATENTED

### ▼ Strike Opening

5/8" x 1-7/16" x 1/2" deep. Bolt retainer jaw is stainless steel. Strike accepts bolt of any Adams Rite 4500/4700/4900 Series deadlatch or cylindrical latches.

### ▼ Faceplate

Measures 1-1/4" x 6-7/8". 7130 has flat faceplate; 7131 is radiused to match nose on inactive leaf in a pair of narrow stile glass doors. Available in US28 (628) Clear Anodized, 313 (Dark Bronze Anodized) or 335 (Black Anodized).

### ▼ Function

Remote electrical control of any narrow stile or hollow metal door equipped with an Adams Rite Series 4500/4700/4900 (or similar) deadlatch. Large faceplate is designed to cover strike opening when converting from an MS<sup>®</sup> pivoted-bolt deadlock to a deadlatch. Electrical actuation unlocks strike jaw, releasing latchbolt so door can be opened without operating latch itself. Extremely compact mechanism fits into aluminum jamb (or opposing door) sections as shallow as 1-5/8". Replaces earlier 7030/7530/7830 Series.

**UL Listed for Burglary Resistance**

### ▼ Case

Approx. 1" x 3-3/8" x 1-5/8" deep. Zinc-aluminum alloy.

### ▼ Strike Lip

Basic 7130 strike has lip of proper length for 1-3/4" thick door that closes flush with jamb edge. Where door thickness or jamb shape differs from this standard relationship, extended lip available, specified by last dash number. (Not available for 7131.)

### ▼ Fail Safe/Fail Secure

Field convertible from one mode to the other. However, AC intermittent solenoid must not be used continuously in either.

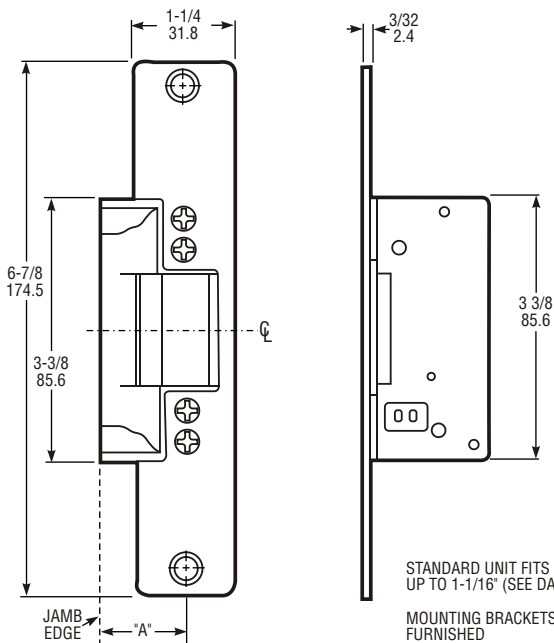
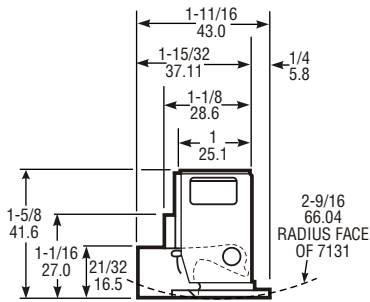


# 7130, 7131 Electric Strike

## DIMENSIONS

INCHES  
MILLIMETERS

Nominal, subject to tolerance extremes.

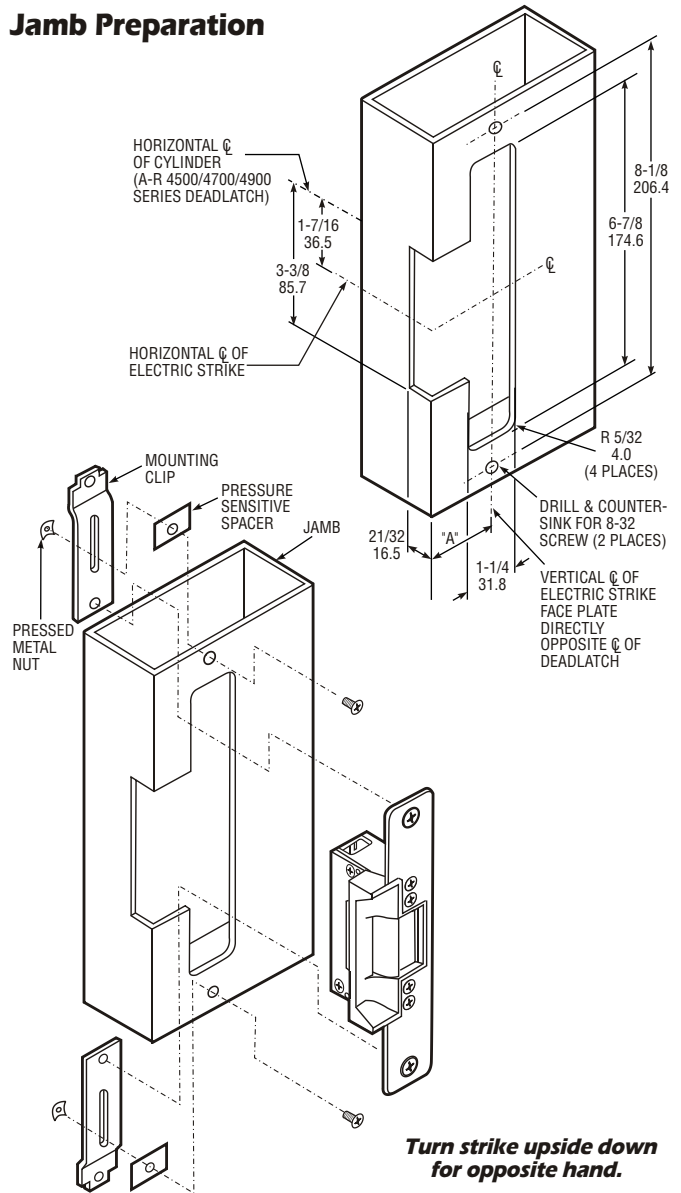


STANDARD UNIT FITS DIM. "A" UP TO 1-1/16" (SEE DASH NO.)

MOUNTING BRACKETS FURNISHED

## INSTALLATION

### Jamb Preparation



Turn strike upside down for opposite hand.

## HOW TO ORDER

Specify quantity and the following information.  
Order 4603 Rectifier and/or 4605 or 4606 Transformer separately.

Specify Model	Voltage	Current & Duty	Features*
<b>7130</b> Flat	<b>3</b> 12 Volt	<b>1</b> DC Continuous or Intermittent	<b>0</b> Std./Fail-Secure
<b>7131</b> Radius	<b>5</b> 24 Volt	<b>4</b> AC Intermittent	<b>5</b> Fail-Safe

**7130 - 310 - 313 - 00**

Finish	7130 Lip Extension (Dim. "A") (Door Centerline to Jamb Edge)
<b>628</b> Clear Anodized	<b>00</b> 1.06" or less
<b>313</b> Dark Bronze Anod.	<b>01</b> 1.50"
<b>335</b> Black Anodized	<b>02</b> 1.63"
	<b>03</b> 1.75"
	<b>04</b> 1.88"
	<b>05</b> 2.00"
	<b>06</b> 2.13"
	<b>07</b> 2.25"
	<b>08</b> 2.38"
	<b>09</b> 2.50"
	<b>10</b> 2.63"
	<b>11</b> 2.75"
	<b>12</b> 2.88"
	<b>13</b> 3.00"

\*Fail-secure can be field-converted to fail-safe or vice-versa.

## STANDARD PACKAGE

Individually boxed with mounting screws, mounting clips and adhesive shims to accommodate jamb or stile extrusion thickness greater or less than nominal 1/8 inch.

## OPTIONS

Choice of voltage in AC and DC for intermittent or continuous duty. Series 7130 (flat) available with extended strike lip (see chart). Specify assembled for either fail-secure (locked when unpowered) or fail-safe (locked when powered) operation, but can be field-converted to the other mode.

**4603 Rectifier** - Converts AC to DC, installs in low voltage line between transformer and strike. Rated 2 amps. (200 PIV).

**4605 Transformer** - Converts 120VAC to 12/24VAC. Rated 40 Volt-amp output assures plenty of power for strike release. Patented mounting bracket fits in knockout hole of standard junction boxes.

**4606 Transformer** - Plug-in version for standard wall outlet.  
See separate specification sheet for more information on Strike options.