

VOLTAGE

Available in 12 or 24 volt AC and DC. DC Continuous units are silent, AC intermittent units "buzz" on operation.

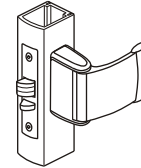
CURRENT DRAW/AMPS

Volts	AC Int.	DC Cont.
12	1.42	.33
24	.74	.17

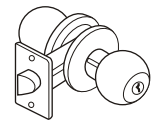
7100, 7101

ANSI/BHMA Type EO9321 (Grade 1)

LATCH TYPE



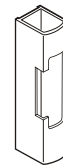
Adams Rite or Cylindrical Latches with 1/2" to 5/8" Projection.



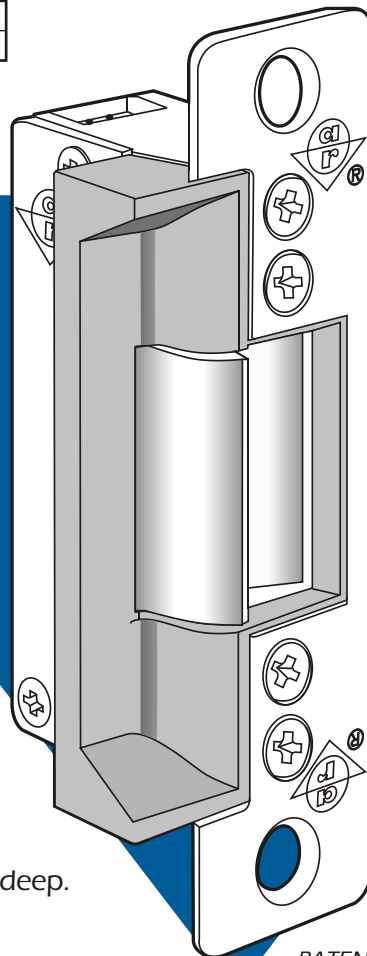
DOOR FRAME TYPE



7100
Aluminum Jamb



7101
Aluminum Stiles



PATENTED

UL Listed for Burglary Resistance

Case

Approx. 1" x 3-3/8" x 1-5/8" deep. Zinc-aluminum alloy.

Strike Lip

Basic 7100 strike has lip of proper length for 1-3/4" thick door that closes flush with jamb edge. Where door thickness or jamb shape differs from this standard relationship, extended lip available, specified by last dash number. (Not available on 7101.)

Fail Safe/Fail Secure

Field convertible from one mode to the other. However, AC intermittent solenoid must not be used continuously

Strike Opening

5/8" x 1-7/16" x 1/2" deep. Bolt retainer jaw is stainless steel. Strike accepts bolt of any Adams Rite 4500/4700/4900 Series deadlatch or cylindrical latches.

Faceplate

Measures 1-1/4" x 4-7/8". 7100 has flat faceplate; 7101 is radiused to match nose on inactive leaf in a pair of narrow stile glass doors. Available in a wide range of architectural finishes.

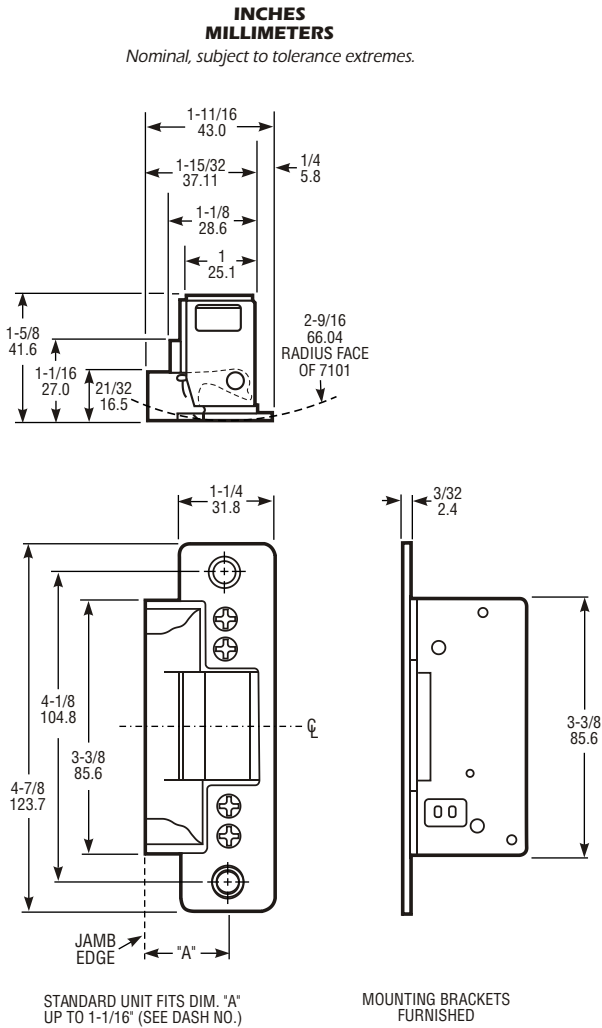
Function

Remote electrical control of any door equipped with an Adams Rite Series 4500/4700/4900 (or similar) deadlatch or "key-in-knob" sets. Electrical actuation unlocks strike jaw, releasing latchbolt so door can be opened without operating latch itself. Extremely compact mechanism fits into aluminum jamb (or opposing door) sections as shallow as 1-5/8". Fits prep for 7500/7800/7000 Series.



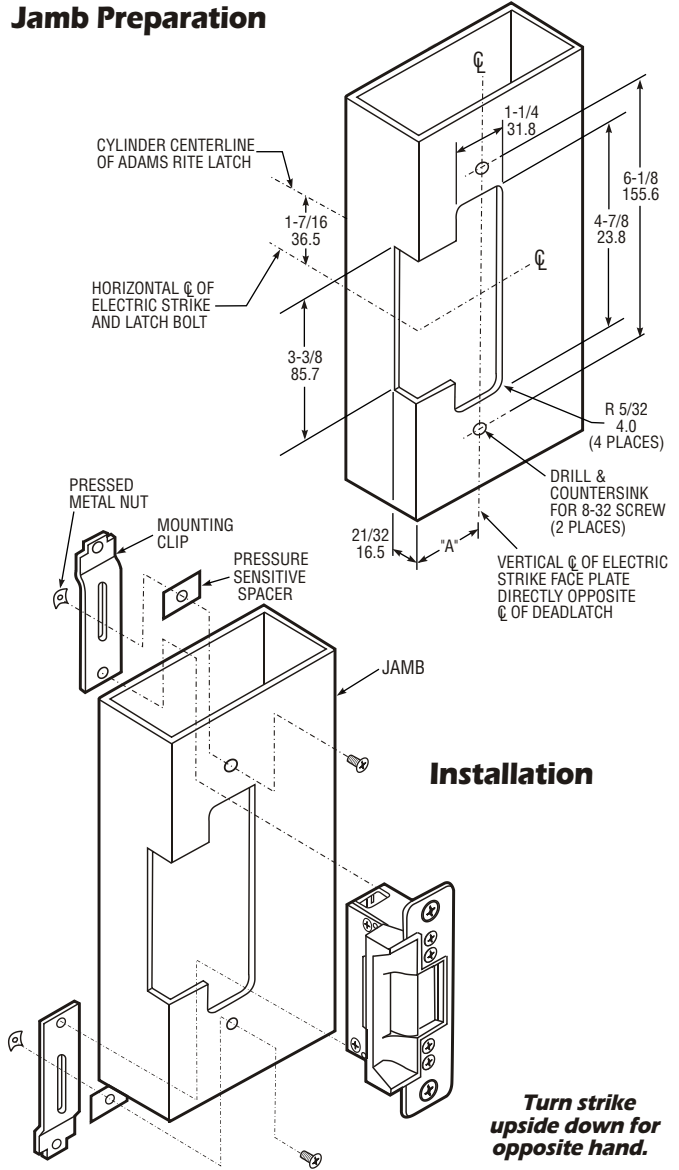
7100, 7101 Electric Strike

DIMENSIONS



INSTALLATION

Jamb Preparation



HOW TO ORDER

Specify quantity and the following information.
Order 4603 Rectifier and/or 4605 or 4606 Transformer separately.

Specify Model	Voltage	Current & Duty	Features*
7100 Flat	3 12 Volt	1 DC Continuous or Intermittent	0 Std/Fail-Secure
7101 Radius	5 24 Volt	4 AC Intermittent	5 Fail-Safe

7100 - 310 - 628 - 00

Finish**	7100 Lip Extension (Dim. "A") (Door Centerline to Jamb Edge)	
628 Clear Anodized	00 1.06" or less	07 2.25"
313 Dark Bronze Anod.	01 1.50"	08 2.38"
335 Black Anodized	02 1.63"	09 2.50"
626 Satin Chrome	03 1.75"	10 2.63"
	04 1.88"	11 2.75"
	05 2.00"	12 2.88"
	06 2.13"	13 3.00"

*Fail-secure can be field converted to fail-safe or vice-versa.
**7101 available in 628, 313, 335 only.

STANDARD PACKAGE

Individually boxed with mounting screws, mounting clips and adhesive shims to accommodate jamb or stile extrusion thickness greater or less than nominal 1/8 inch.

OPTIONS

Choice of voltage in AC and DC for intermittent or continuous duty. Series 7100 (flat) available with extended strike lip (see chart). Specify assembled for either fail-secure (locked when unpowered) or fail-safe (locked when powered) operation, but can be field-converted to the other mode.

4603 Rectifier - Converts AC to DC, installs in low voltage line between transformer and strike. Rated 2 amps. (200 PIV).

4605 Transformer - Converts 120VAC to 12/24VAC. Rated 40 Volt-amp output assures plenty of power for strike release. Patented mounting bracket fits in knockout hole of standard junction boxes.

4606 Transformer - Plug-in version for standard wall outlet.
See separate specification sheet for more information on Strike options.