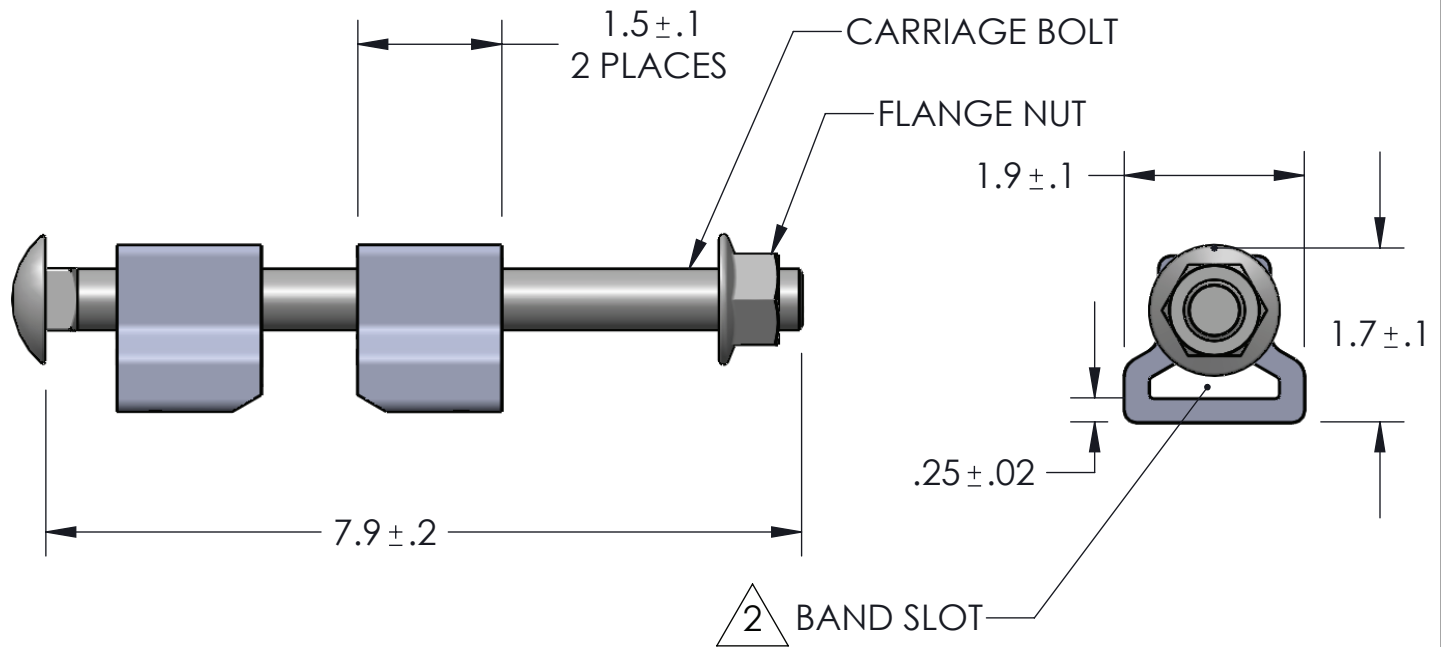


CUSTOMER SPECIFICATION DRAWING



NOTES:

1. MATERIAL:
RETAINERS.....ALUMINUM ALLOY
CARRIAGE BOLT.....COATED STEEL
FLANGE NUT.....GALVANIZED STEEL

2. SLOT WILL ACCEPT DOUBLE WRAP .045" X 1.25" (1.1mm X 32mm) BAND-IT BAND.

3. PACKAGED 10 PER BOX.

4. WEIGHT: 11.73 LBS

BAND-IT®

A unit of ~~IDEX~~ Corporation
P.O. Box 16307
Denver, Colorado U.S.A.

PROPRIETARY AND CONFIDENTIAL

THIS DRAWING WITH ALL CONTENTS IS PROPERTY OF BAND-IT-IDEX, INC. REPRODUCTION, DISCLOSURE OR MFG. OF MATTER SHOWN IS PROHIBITED WITHOUT WRITTEN PERMISSION. DO NOT SCALE DRAWING. UNLESS OTHERWISE NOTED, DIMENSIONS ARE IN INCHES AFTER FINISH.

TITLE:

**BOLTED BAND
RETAINER, 1-1/4"**

DWG. NO.

GRD504

REV B