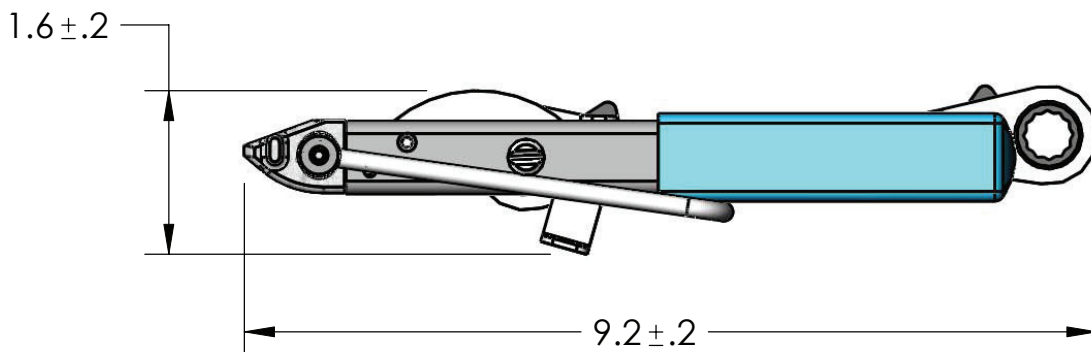
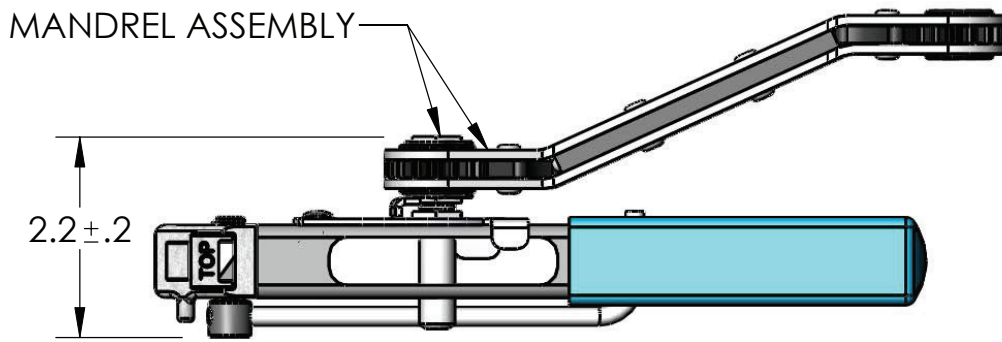


CUSTOMER SPECIFICATION DRAWING



NOTES:

1. POK-IT II TOOL USED ON 1/4" AND 3/8" WIDE BAND-IT CLAMPS.
2. MANDREL ASSEMBLY IS SHIPPED LOOSE, PLACED IN BOX WITH TOOL. INSTRUCTION SHEET INCLUDED.
3. WEIGHT: 1.12 LBS.

BAND-IT®

A unit of ~~IDEX~~ Corporation
P.O. Box 16307
Denver, Colorado U.S.A.

PROPRIETARY AND CONFIDENTIAL

THIS DRAWING WITH ALL CONTENTS IS PROPERTY OF BAND-IT-IDEX, INC. REPRODUCTION, DISCLOSURE OR MFG. OF MATTER SHOWN IS PROHIBITED WITHOUT WRITTEN PERMISSION. DO NOT SCALE DRAWING. UNLESS OTHERWISE NOTED, DIMENSIONS ARE IN INCHES AFTER FINISH.

TITLE:

POK-IT II TOOL, BOXED

DWG. NO.

GRJ002

REV A