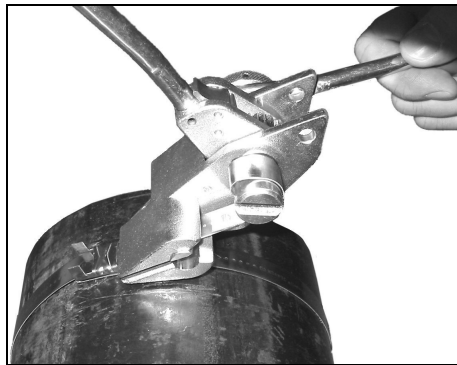
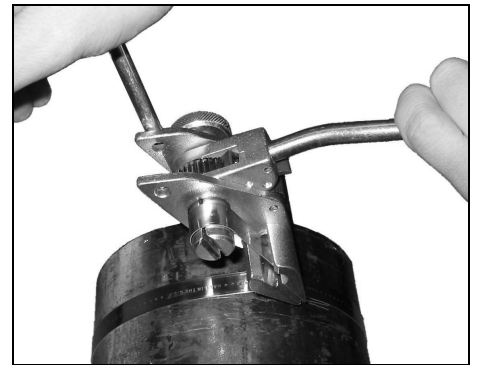


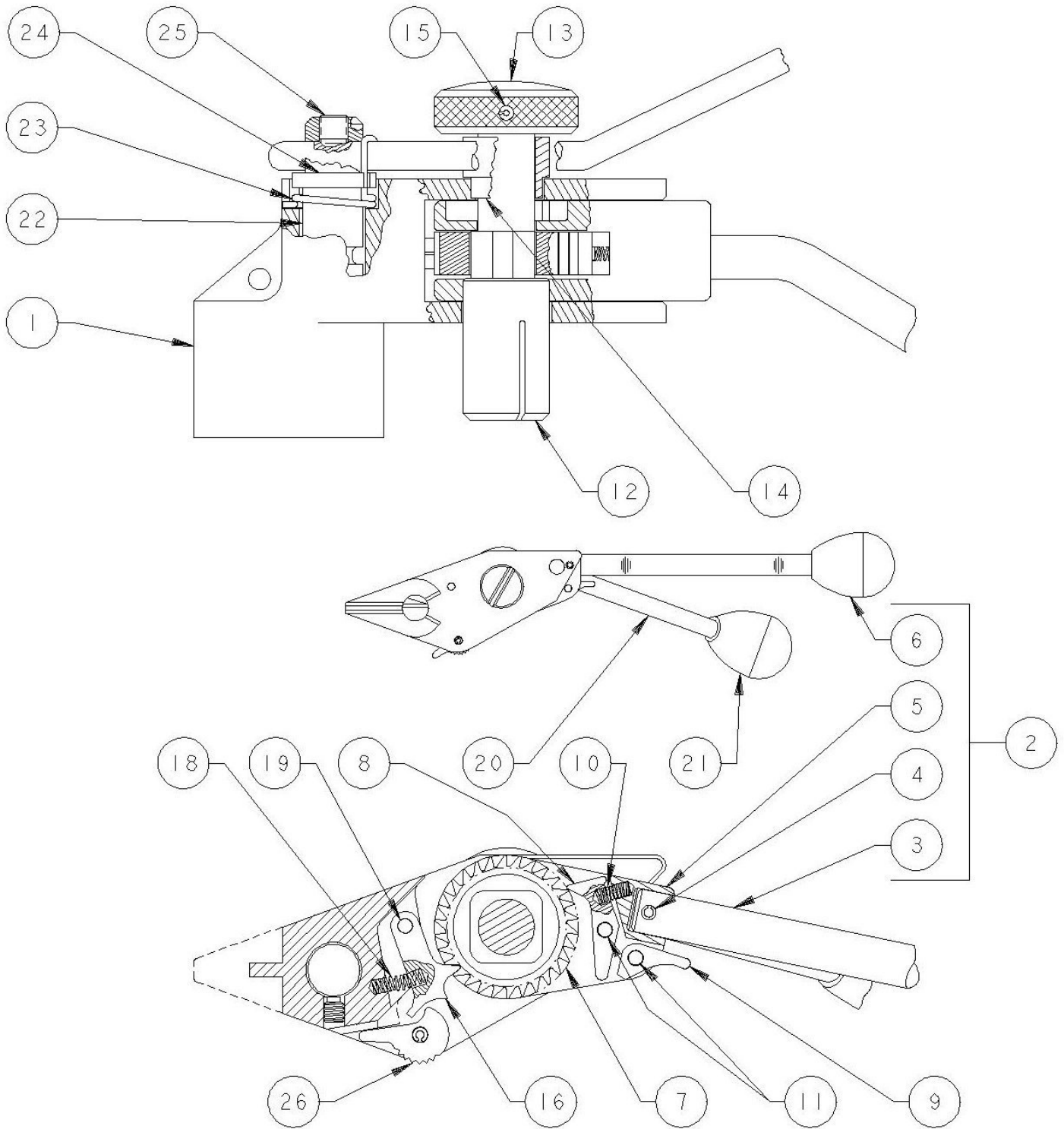
1. Place end section of band in open slot of tool nose and winding mandrel.



2. To apply tension to band, move ratchet handle back and forth. Hold tool with cutter handle.



3. To complete clamp, roll tool forward and trim band with cutter and tap down ears of clip.



# C085 Parts List



# C08569 Bantam Hand Tool

26	C07187	1	CAM, HOLDING PAWL
25	C72388	1	SCREW, SET, 1/4-28 X 3/16 LONG
24	C09187	1	COVER, CUTTER SPRING, FINISHED
23	C09287	1	SPRING, CUTTER
22	C08787	1	BLADE, CUTTER, FINISHED
21	C10287	1	KNOB, CUTTER HANDLE
20	C08987	1	HANDLE, CUTTER, STRAP, FINISHED
19	C09487	1	PIN, GROOVED, 1/8 DIA X 1 LONG
18	C09587	2	SPRING, HOLDING PAWL
17	-----	-	-----
16	C07387	1	PAWL, HOLDING, RIGHT
15	C11287	2	PIN, SPRING, 1/8 DIA X 1.25 LONG
14	C08387	1	SPACER, FINISHED
13	C08487	1	KNOB, WINDING, FINISHED
12	C08687	1	MANDREL, WINDING, FINISHED
11	C09387	2	PIN, GROOVED, 1/8 DIA X .75 LONG
10	C09687	1	SPRING, TENSION PAWL
9	C07687	1	CAM, TENSION PAWL
8	C07487	1	PAWL, TENSION
7	C07887	1	WHEEL, RATCHET
6	C10187	1	...KNOB, STRAP
5	C07787	1	...HOUSING, RATCHET
4	J02887	1	...PIN, SPRING, 1/8 DIA X 3/4 LONG
3	C08087	1	...RATCHET HANDLE - STRAP
2	C10987	1	HANDLE/HOUSING ASSEMBLY
1	C06987	1	BODY, FINISHED
ITEM	PART NUMBER	QTY.	DESCRIPTION
C085 BAND-IT BANTAM STRAPPING TOOL, REPAIR PARTS LIST			

# Warranty



C08569  
Bantam Hand Tool

---

Refer to website for warranty information: <http://www.band-it-idex.com/warranty.html>

COVERED UNDER PATENT # 4.570,340