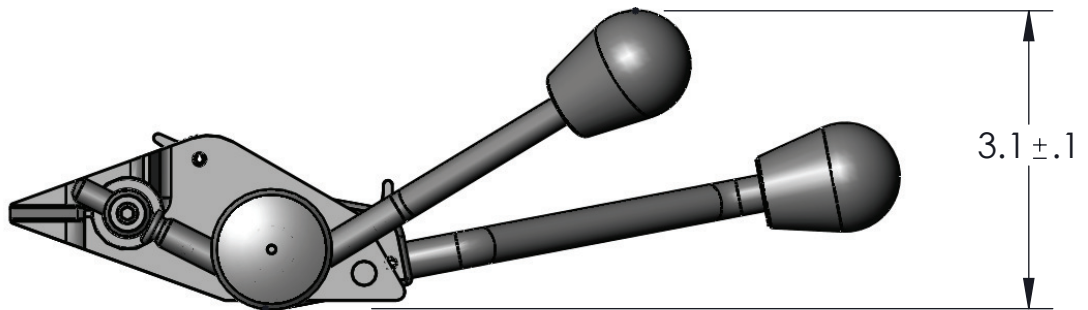
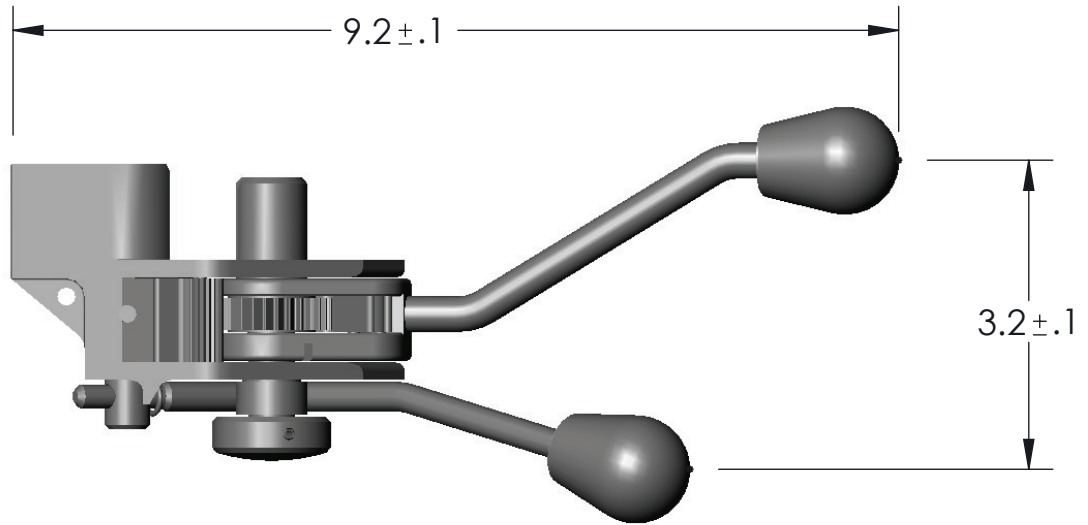


CUSTOMER SPECIFICATION DRAWING



NOTES:

1. BOX CONTENTS: TOOL AND INSTRUCTION SHEET.
2. WEIGHT: 2.32 LBS.

BAND-IT[®]

A unit of ~~IDEX~~ Corporation
P.O. Box 16307
Denver, Colorado U.S.A.

PROPRIETARY AND CONFIDENTIAL

THIS DRAWING WITH ALL CONTENTS IS PROPERTY OF BAND-IT-IDEX, INC. REPRODUCTION, DISCLOSURE OR MFG. OF MATTER SHOWN IS PROHIBITED WITHOUT WRITTEN PERMISSION. DO NOT SCALE DRAWING. UNLESS OTHERWISE NOTED, DIMENSIONS ARE IN INCHES AFTER FINISH.

TITLE:

**BANTAM
STRAPPING TOOL**

DWG. NO.

GRC085

REV A