

LubeSite 200 Series

Grease, Polycarbonate Base



General

LubeSite 200 Series feature a clear, polycarbonate reservoir and base. This design allows for a visual inspection of the units' internal workings. The 200 Series units should be specified for applications with minimal vibration, impact, shock, high-torque or centrifugal forces. All units are assembled with medium springs (light and heavy springs are included in each box). An extra heavy (orange) spring is available for applications requiring the use of an extension or for higher pressure flushing applications.

Application

LubeSite 200 Series can be used on any equipment that has:

- + Anti-friction oscillating, ball or roller bearings
- + Shielded bearings with seals
- + Bronze, oilite or open bearings
- + Requires bearing flushing action

Operation

LubeSite automatic grease feeders have only two moving parts (spring, piston with metering rod and piston seal ring). The design combines foolproof simplicity with rugged component strength for dependable, controlled lubrication.

The graduated channels in the meter rod allow the bearing to use grease as required. Once the reservoir is filled and the unit is connected to a bearing, the single-point lubricator uses Venturi action to discharge lubricant only when the bearing is in motion. Thus, grease is never packed into the bearing. This benefits manufacturers that will have some planned machine downtime, because over-lubrication is eliminated. Because the single-point lubricator only generates 1-5 psi it will not blow bearing seals. When the bearing stops, so does the grease flow.

Technical Data

Material	Polycarbonate domes and bases
Grease	NLGI grade 0 to 4 non-separating
Thread Size	1/8" NPT or 1/8" BSPT
Operating Temperature	-10°F to 250°F (-23°C to 121°C)



ATTENTION

LubeSite 200 Series is specifically designed for bearing housings that operate under static conditions. These units should not be specified for dynamic conditions.

See Brochure #L713: LubeSite Systems for more information.

BIJUR DELIMON INTERNATIONAL

(919) 465 4448 LOCAL
(800) 631 0168 TOLL-FREE
(919) 465 0516 FAX

WWW.BIJURDELIMON.COM

1 Copley Parkway
Suite 104
Morrisville, NC 27560

Start Up Instructions

1. Use proper spring: Every LubeSite unit comes factory-equipped with medium spring (silver) which gives correct grease feeding pressure for most applications. A lightweight spring (blue) and a heavyweight spring (red) are included. Consult the spring selection guide (page 3) to determine the proper spring.
2. Remove grease fitting from equipment or bearing housing: Check to see that the thread on the grease fitting is 1/8". You may need another LubeSite adapter to mount the LubeSite unit (refer to accessories).
3. Fill LubeSite unit with a non-separating grease: Connect a grease gun to the side grease fitting. Fill with grease until the grease comes out of the base coupler. First filling may be above caution line to assure no air pockets. Outlet must be unobstructed as over-pressuring can result in top separating from base which can cause serious head or eye injury. Mount the LubeSite unit on equipment immediately.
4. Screw the LubeSite assembly directly into the grease fitting hole: Turn hand tight only.
5. LubeSite can be refilled while mounted on equipment: This should be accomplished before the seal ring is down on the top of the base. Simply refill by attaching the grease gun to the grease fitting and fill until the seal ring rises to the bottom edge of the caution label.

WARNING

Do not overfill! Overfilling can cause over-pressure which can result in top separation from base which can cause serious head or eye injury.

For refilling hard to reach applications, use the LubeLine remote refill line.

Maintenance

LubeSite units are made from high-quality, heavy-duty engineered materials and are manufactured to meet rigid standards. These units require only minimum care to provide long, trouble-free service under normal operating conditions.

The transparent dome should be kept free of exterior dirt, so that the interior grease level can always be seen. Most dirt can easily be removed with mild detergents (never use solvents). Grease fittings should be wiped clean before and after filling and the protective cap replaced.

We recommend that the LubeSite unit be thoroughly cleaned inside and out about once a year as a routine, or whenever the grease has separated or solidified. More cleaning may be required in extremely dirty or dusty environments

BIJUR DELIMON INTERNATIONAL

(919) 465 4448 LOCAL
(800) 631 0168 TOLL-FREE
(919) 465 0516 FAX

WWW.BIJURDELIMON.COM

1 Copley Parkway
Suite 104
Morrisville, NC 27560

Selecting the Proper Unit Size

To determine the LubeSite unit size, you need to know the bearing shaft diameter and speed, as well as the bearing class. For example, if the shaft diameter is 2", the bearing is sealed and the shaft speed is a continuous 2000 rpm, you will need an extra large unit.

LubeSite Size Selection Guide

Bearing Shaft Diameter	Up to 1-1/2"			
Operating Condition	Intermittent		Continuous	
Class of Bearing	Open	Sealed	Open	Sealed
Under 2500 rpm	1 oz	1 oz	1 oz	1 oz
Over 2500 rpm	2 oz	2 oz	2 oz	2 oz
Bearing Shaft Diameter	Over 1-1/2"			
Under 1000 rpm	2 oz	2 oz	2 oz	2 oz
1000-2500 rpm	2 oz	2 oz	6 oz	6 oz
Over 2500 rpm	6 oz	6 oz	6 oz	6 oz

Note: Bigger isn't always better. Don't intentionally oversize LubeSite units.

Selecting the Proper Spring Size

To determine the proper spring, you need to know the operating temperature and the grease weight. For example, if the operating temperature of the bearing ranges from 60°F to 80°F, and you're using grade 2 grease, then you will need a medium (silver) spring. See the spring selection guide below.

If mounting on an extension, use of an extra heavy (orange) spring may be required (spring effectiveness will vary with application).

LubeSite Spring Selection Guide

Operating Temperature	Grease (Grade)				
	0	1	2	3	4
-10°F to 40°F (-23°C to 4°C)	Blue	Silver	Red	---	---
40°F to 110°F (4°C to 43°C)	Blue	Silver	Silver	Red	---
110°F to 200°F (43°C to 93°C)	---	Blue	Silver	Silver	Red
200°F to 250°F (93°C to 121°C)	---	---	Blue	Silver	Red

BIJUR DELIMON INTERNATIONAL

(919) 465 4448 LOCAL
 (800) 631 0168 TOLL-FREE
 (919) 465 0516 FAX

WWW.BIJURDELIMON.COM

1 Copley Parkway
 Suite 104
 Morrisville, NC 27560

How to Order

Name	Reservoir Capacity	Part #
LubeSite 200 Series	1 oz (28.3 g)	202 202 BSP
	2 oz (56.7 g)	205 205 BSP
	6 oz (170.1 g)	260 260 BSP

Part numbers with BSP designation come with a BSPT coupler installed. All standard part numbers come with a NPT coupler installed.

When Ordering:

Specify by name, description, and part number.

Example:

LubeSite 200 Series, 2 oz Reservoir Capacity, Part #205.

Springs

Color	Strength	Part #		
		LubeSite 202	LubeSite 205	LubeSite 260
Blue	Light	202-7	205-7	360-7
Silver	Medium	202-8	205-8	360-8
Red	Heavy	202-9	205-9	360-9
Orange ¹	Extra heavy	202-15	205-15	360-15

¹ Available for 1 oz, 2 oz and 6 oz grease feeders to be used on extension and where greater pressure is desired for flushing action.

BIJUR DELIMON INTERNATIONAL

(919) 465 4448 LOCAL
(800) 631 0168 TOLL-FREE
(919) 465 0516 FAX

WWW.BIJURDELIMON.COM

1 Copley Parkway
Suite 104
Morrisville, NC 27560

Adapters & Couplers

Name	Description	Material	Part #
Adapter	Straight, 1/8" NPT (F) x 1/4"-28 (M) SAE-LT	Zinc plated steel	20-1
		Nickel chrome plated	50-1
	Bushing, 1/8" NPT (F) x 1/4" NPT(M)	Zinc plated steel	U104B1
		Nickel chrome plated	50-2
	Bushing, 1/8" NPT (F) x 1/4" BSPT(M)	Zinc plated steel	20-2 BSP
	45°, 1/8" NPT (F) x 1/8" NPT(M)	Zinc plated steel	U1103A
		Nickel chrome plated	50-3
	45°, 1/8" NPT (F) x 1/8" BSPT(M)	Zinc plated steel	20-3 BSP
	45° 1/8" NPT (F) x 1/4"-28 (M) SAE-LT	Zinc plated steel	20-6
		Nickel chrome plated	50-6
	45° 1/8" BSPT (F) x 1/4"-28 (M) SAE-LT	Zinc plated steel	20-6 BSP
90°, 1/8" NPT (F) x 1/4"-28 (M) SAE-LT	Zinc plated steel	27718	
	Nickel chrome plated	50-4	
90°, 1/8" NPT (F) x 1/8" NPT(M)	Zinc plated steel	U1104AS	
	Nickel chrome plated	50-5	
90°, 1/8" NPT (F) x 1/8" BSPT(M)	Zinc plated steel	20-5 BSP	
Coupler	202 Base, 1/4" NPT (F) x 1/8" NPT(M)	Zinc plated steel	202-2
		Nickel chrome plated	502-2
	Base, 1/4" NPT (F) x 1/8" BSPT(M)	Zinc plated steel	202-2 BSP
		Nickel chrome plated	7105221
	1/4" NPT (F) x 1/4"-28 (M) SAE-LT	Zinc plated steel	202-2A
	205 & 260 Base, 3/8" NPT (F) x 1/8" NPT(M)	Zinc plated steel	205-2
Nickel chrome plated		7105502	
Base, 3/8" NPT (F) x 1/8" BSPT(M)	Nickel chrome plated	7105521	

For additional accessories, see Brochure #L713: LubeSite Systems.

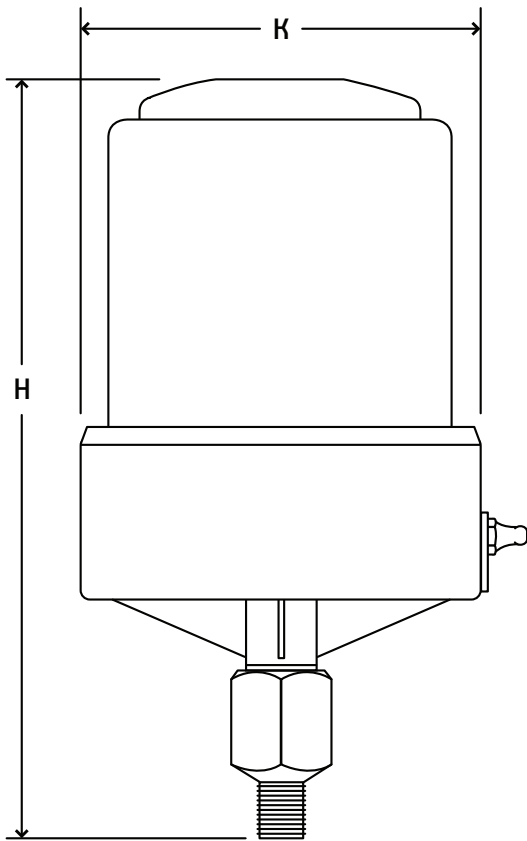
BIJUR DELIMON INTERNATIONAL

(919) 465 4448 LOCAL
 (800) 631 0168 TOLL-FREE
 (919) 465 0516 FAX

WWW.BIJURDELIMON.COM

1 Copley Parkway
 Suite 104
 Morrisville, NC 27560

Dimensional Schematics



Part #	H	K
202	3.625" (92.1mm)	1.75" (44.5mm)
205	4.625" (117.5mm)	2.375" (60.3mm)
260	6.00" (152.4mm)	3.00" (76.2mm)

BIJUR DELIMON INTERNATIONAL

(919) 465 4448 LOCAL
(800) 631 0168 TOLL-FREE
(919) 465 0516 FAX

WWW.BIJURDELIMON.COM

1 Copley Parkway
Suite 104
Morrisville, NC 27560