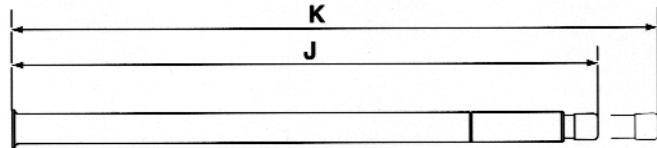
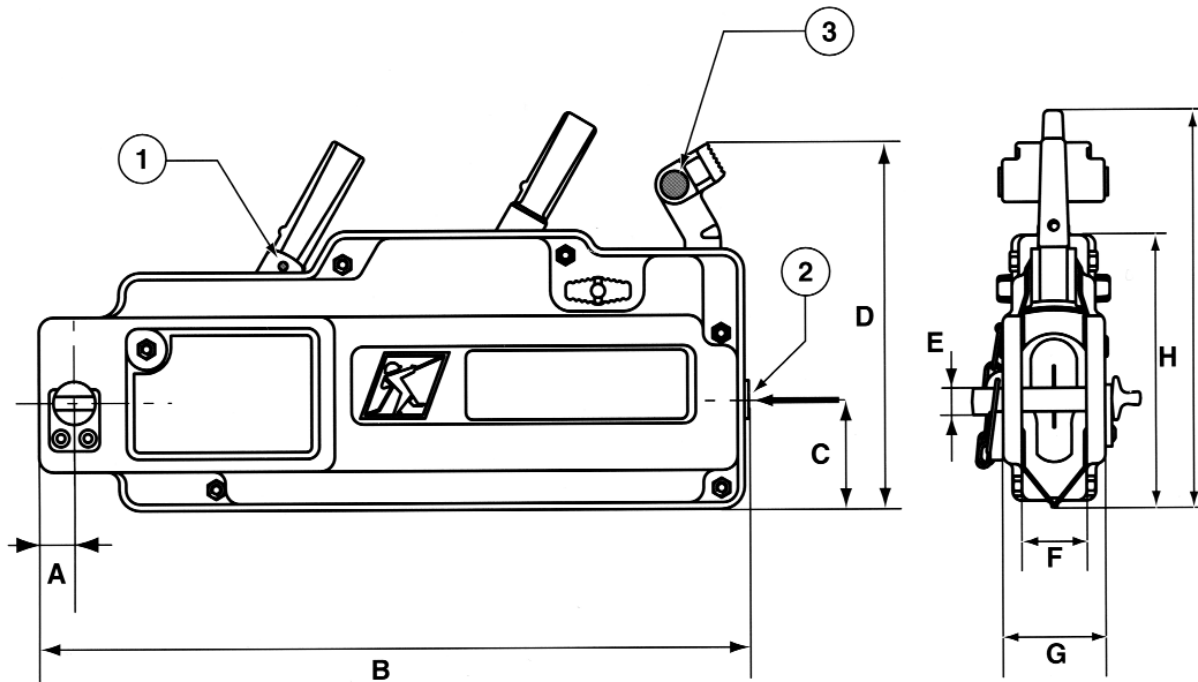


- ① Shear pin
- ② Rope entry
- ③ Spare shear pins



Telescopic Control lever



| Rated Load lbs. | Wire Rope in. (mm) | Effort to control lever | | Rope Travel per stroke | | Dimensions | | | | | | | | | | Weight lbs. (kg) | |
|--------------------|--------------------------|-------------------------|--------------|------------------------|-------------|---------------|---------------|--------------|---------------|-------------|-------------|-------------|--------------|-------------|---------------|------------------------|------------|
| | | lbs. (kg) | lbs. (kg) | in. (mm) | in. (mm) | in. (mm) | | | | | | | | | | | |
| | | forward | reverse | forward | reverse | A | B | C | D | E | F | G | H | I | J | K | |
| 8,000 | 5/8 (16.3) | 99 (45) | 55 (25) | 0.7 (18) | 1.4 (36) | 1.6 (40.5) | 24.8 (631) | 4.2 (107) | 11.1 (283) | 1.1 (29) | 2.7 (69) | 3.8 (97) | 9.4 (240) | 14 (357) | 25.5 (648) | 45.2 (1,147) | 53 (24) |

