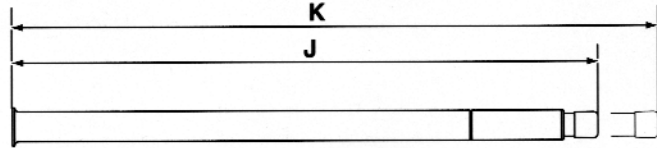
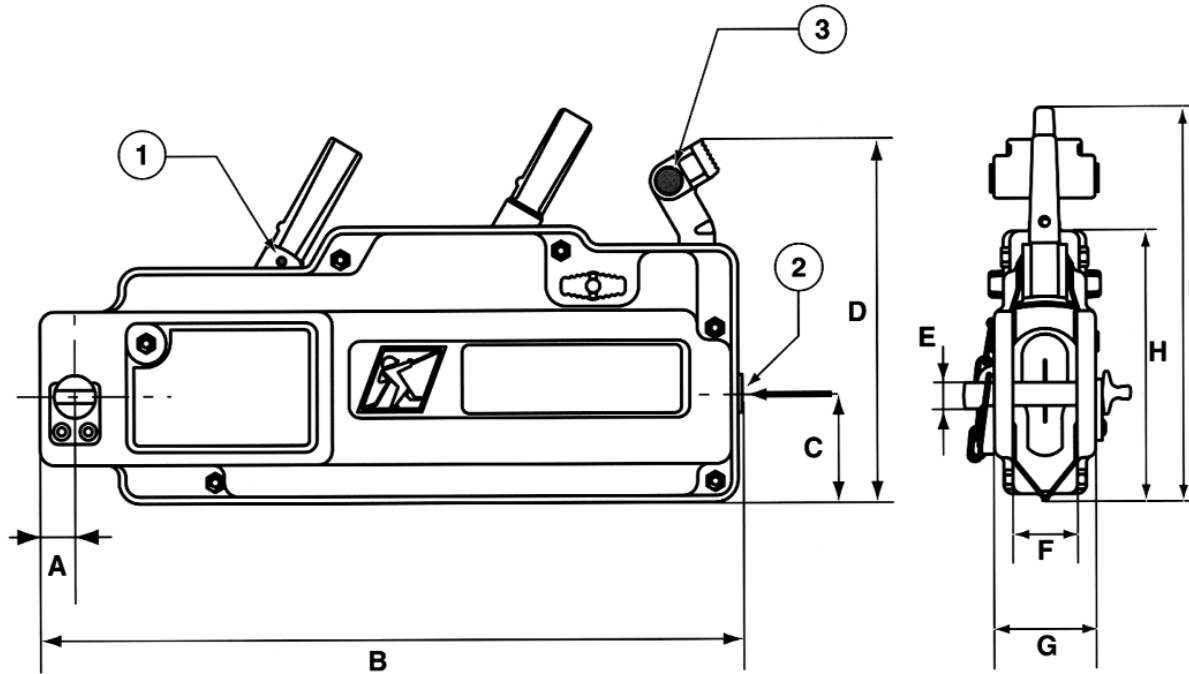


- ① Shear pin
- ② Rope entry
- ③ Spare shear pins



Telescopic Control lever



Rated Load lbs.	Wire Rope in. (mm)	Effort to control lever		Rope Travel per stroke		Dimensions											Weight lbs. (kg)
		lbs. (kg)	lbs. (kg)	in. (mm)	in. (mm)	in. (mm)											
						forward	reverse	A	B	C	D	E	F	G	H	I	
4,000	7/16 (11.5)	106 (48)	40 (18)	1.7 (42)	2.2 (57)	1.2 (30)	20.9 (530)	3 (77)	9.9 (252)	0.8 (21.3)	2 (50)	3.3 (84)	7.6 (193)	12.4 (315)	25.5 (648)	45.2 (1,147)	31 (14)

