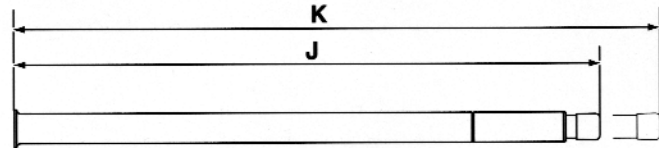


technical sheet

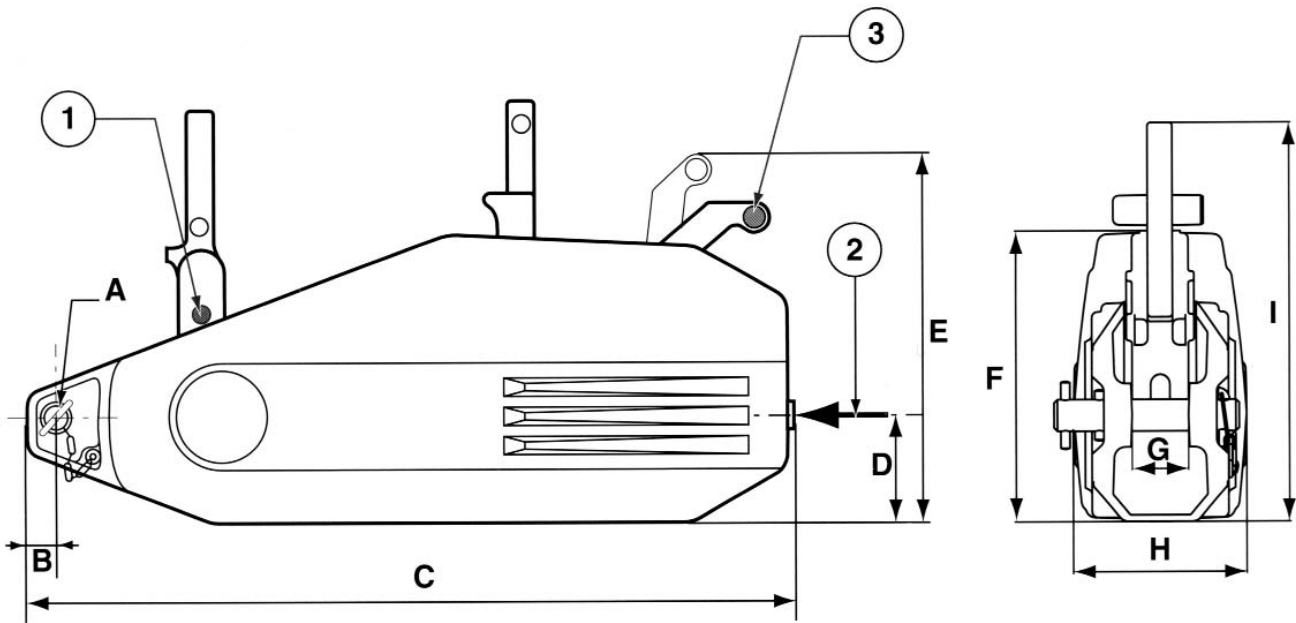
**Griphoist/Tirfor®
TU-32
Standard Machine**

ref.: T-4258
rev. no.: 0
date: 3/04
page: 1/1

- ① Shear pin
- ② Rope entry
- ③ Spare shear pins



Telescopic Control lever



Rated Load lbs.	Wire Rope in. (mm)	Effort to control lever		Rope Travel		Dimensions											Weight lbs. (kg)
		lbs. (kg)	lbs. (kg)	in. (mm)	in. (mm)	in. (mm)											
		forward	reverse	forward	reverse	A	B	C	D	E	F	G	H	I	J	K	
8,000	5/8 (16.3)	119 (54)	55 (25)	1.2 (30)	1.9 (48)	1.1 (28)	1.1 (28)	27.5 (700)	3.7 (93)	12.9 (328)	10 (256)	2 (50)	6 (153)	15 (380)	26.8 (680)	45.3 (1,150)	64 (29)

