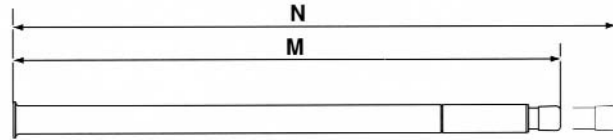
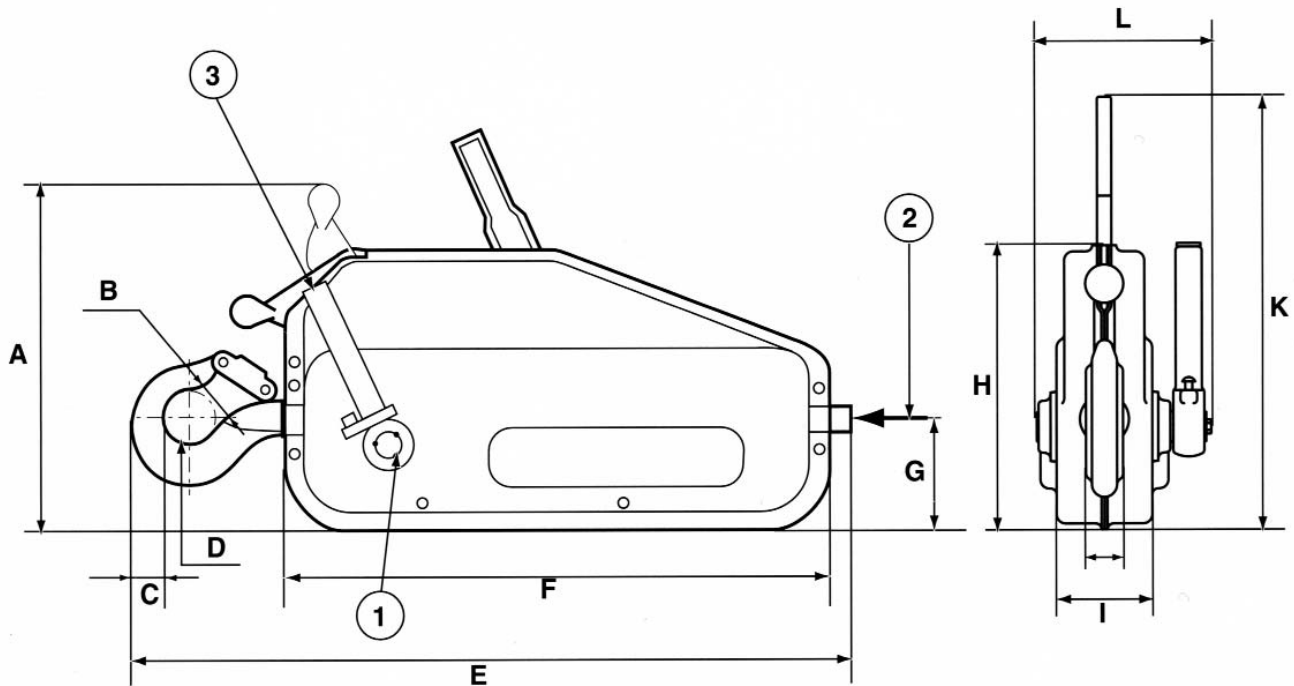


- ① Shear pin
- ② Rope entry
- ③ Spare shear pins



Telescopic Control lever



Rated Load lbs.	Wire Rope in. (mm)	Effort to control lever lbs. (kg)		Rope Travel per stroke in. (mm)		Dimensions in.													Weight lbs. (kg)	
		forward	reverse	forward	reverse	A	B	C	D	E	F	G	H	I	J	K	L	M		N
2,000	5/16 (8.3)	79 (36)	40 (18)	2 (50)	2.4 (60)	10.6 (270)	1.3 (32)	1.2 (30)	1.6 (40)	20.9 (530)	15.6 (397)	2.8 (70)	76.6 (194.5)	2.3 (58)	1.1 (28)	11.2 (285)	4.3 (110)	17.9 (455)	28.9 (735)	19 (8.5)

