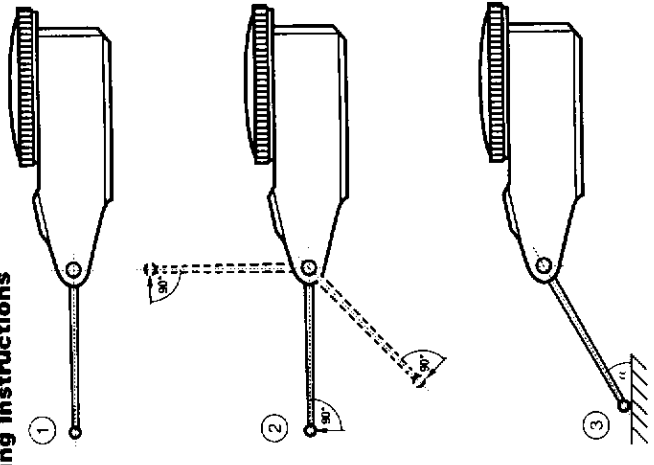


Please read through this owners manual carefully before using your new tool. Use your tool properly and only for its intended use.

WESTWARD Test Indicator

Operating Instructions



Mounting of Mounting Shaft:
Slide mounting shaft onto dovetail which is best suited for measuring and tighten (fig. 1). Mount indicator rigidly and as close as possible.

Maintenance:
No special maintenance is required. The bearings of the indicator must never be oiled.

Measuring:
For accurate measurements the axis of the contact point must be perpendicular to the measuring direction (fig. 2). If this is not possible, it is necessary to multiply the reading on the dial with a correction factor, which depends on the angle α (fig. 3). The correction factor is negligible for angles below 15°.

Angle α :	15°	30°	45°	60°
Correction factor:	0.96	0.87	0.70	0.50

Example

Angle α : 30° (estimated)
 Reading on dial: .015"
 Measurement value: .015" x .87 = .013"

FW024
Printed in China
07/05

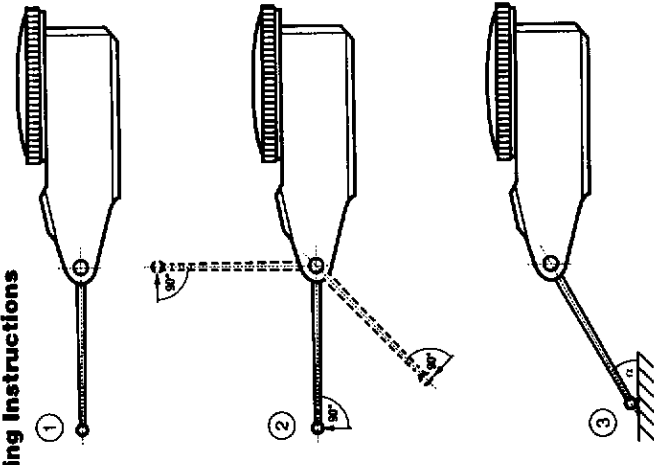
Manufactured for Grainger International Inc.
100 Grainger Pkwy., Lake Forest IL 60045 U.S.A.



Please read through this owners manual carefully before using your new tool. Use your tool properly and only for its intended use.

WESTWARD Test Indicator

Operating Instructions



Mounting of Mounting Shaft:
Slide mounting shaft onto dovetail which is best suited for measuring and tighten (fig. 1). Mount indicator rigidly and as close as possible.

Maintenance:
No special maintenance is required. The bearings of the indicator must never be oiled.

Measuring:
For accurate measurements the axis of the contact point must be perpendicular to the measuring direction (fig. 2). If this is not possible, it is necessary to multiply the reading on the dial with a correction factor, which depends on the angle α (fig. 3). The correction factor is negligible for angles below 15°.

Angle α :	15°	30°	45°	60°
Correction factor:	0.96	0.87	0.70	0.50

Example

Angle α : 30° (estimated)
 Reading on dial: .015"
 Measurement value: .015" x .87 = .013"

FW024
Printed in China
07/05

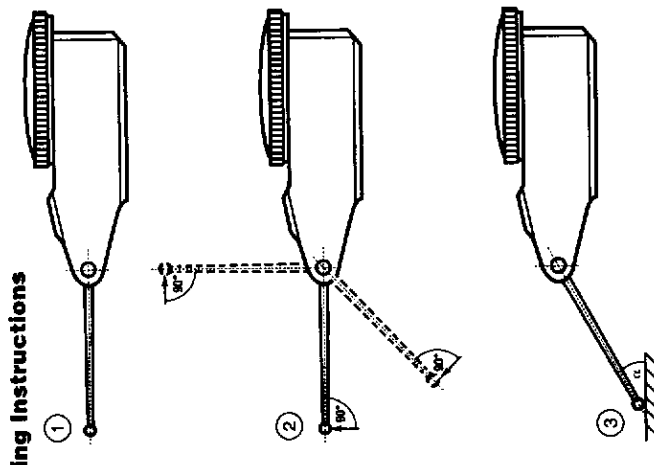
Manufactured for Grainger International Inc.
100 Grainger Pkwy., Lake Forest IL 60045 U.S.A.



Please read through this owners manual carefully before using your new tool. Use your tool properly and only for its intended use.

WESTWARD Test Indicator

Operating Instructions



Mounting of Mounting Shaft:
Slide mounting shaft onto dovetail which is best suited for measuring and tighten (fig. 1). Mount indicator rigidly and as close as possible.

Maintenance:
No special maintenance is required. The bearings of the indicator must never be oiled.

Measuring:
For accurate measurements the axis of the contact point must be perpendicular to the measuring direction (fig. 2). If this is not possible, it is necessary to multiply the reading on the dial with a correction factor, which depends on the angle α (fig. 3). The correction factor is negligible for angles below 15°.

Angle α :	15°	30°	45°	60°
Correction factor:	0.96	0.87	0.70	0.50

Example

Angle α : 30° (estimated)
 Reading on dial: .015"
 Measurement value: .015" x .87 = .013"

FW024
Printed in China
07/05

Manufactured for Grainger International Inc.
100 Grainger Pkwy., Lake Forest IL 60045 U.S.A.

