

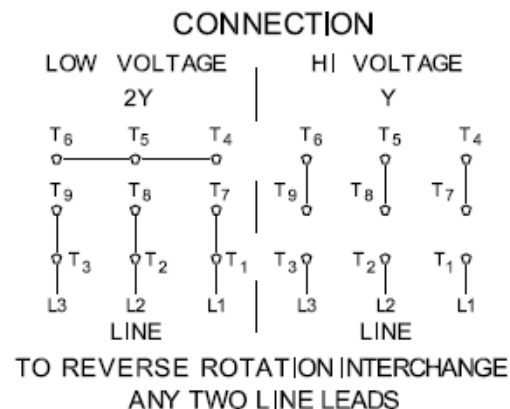
Dayton®

WASHDOWN PREMIUM EFFICIENT MOTOR



CC082A

MODEL NO. 6WY61C		MFG.NO. WTL145T-4W	
		PH 3	
ENCL. TEFC	MAX.AMB. 40°C		
HP 2.0/1.5	DUTY CONT.		
RPM 1750/1450	HZ 60/50		
VOLT 230/460	VOLT 190/380		
F.L.A. 6/3	F.L.A. 5.2/2.6		
S.F.A. 6.8/3.4	S.F.A. 6.0/3.0		
SER. FACT. 1.15	INS.CL. F	FRAME 145TC	
NEMA NOM.EFF. 86.5%	P.F. 0.75	CODE K	DES. B
BRG. SHAFT END 6205	BRG.OPPOSITE SHAFT END 6205		
Thermally Protected NONE	DATE CODE 1601		



WARNING

Failure to properly operate and ground this motor may cause serious injury to property and/or personnel. Read operating Instructions. Disconnect power before removing terminal box cover and/or performing maintenance. Ground in accordance with National Electric and local codes.



Mfd. For Dayton Electric Mfg. Co., Lake Forest, IL 60045 USA

Made in China