

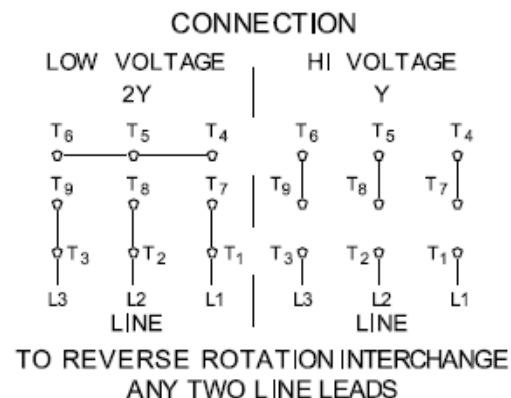
Dayton®

WASHDOWN PREMIUM EFFICIENT MOTOR



CC082A

MODEL NO. 6WY42C		MFG.NO. WTL145T-4W1	
ENCL. TEFC		PH 3	
HP 1.5/1.0		MAX.AMB. 40°C	
RPM 1750/1450		DUTY CONT.	
VOLT 230/460		HZ 60/50	
F.L.A. 4.6/2.3		F.L.A. 3.2/1.6	
S.F.A. 5.2/2.6		S.F.A. 3.8/1.9	
SER. FACT. 1.15	INS.CL. F	FRAME 56HC	
NEMA NOM.EFF. 86.5%	P.F. 0.72	CODE K	DES. B
BRG. SHAFT END 6205	Thermally Protected NONE	BRG.OPPOSITE SHAFT END 6205	DATE CODE 1601



WARNING

Failure to properly operate and ground this motor may cause serious injury to property and/or personnel. Read operating instructions. Disconnect power before removing terminal box cover and/or performing maintenance. Ground in accordance with National Electric and local codes.



Mfd. For Dayton Electric Mfg. Co., Lake Forest, IL 60045 USA

Made in China