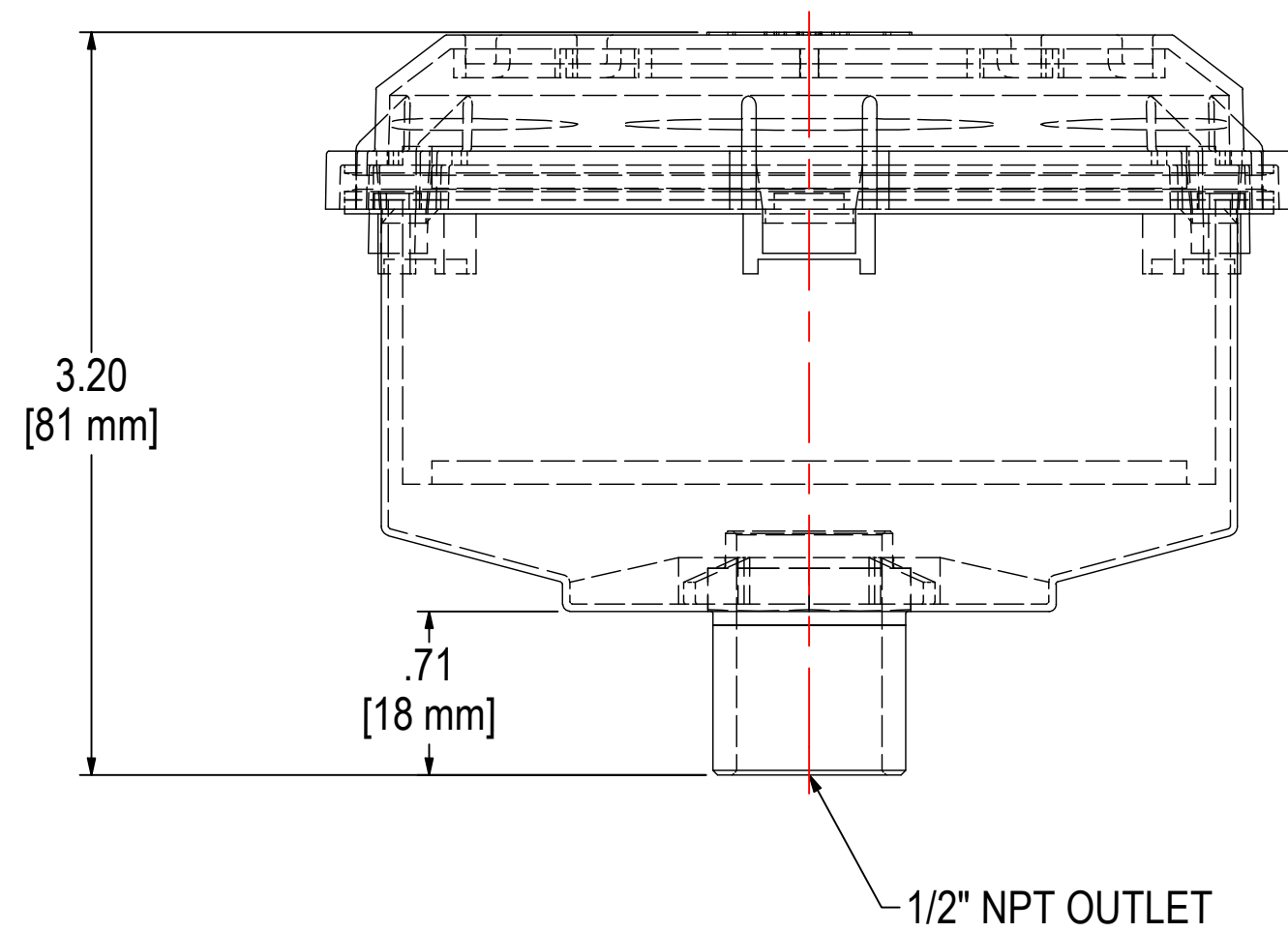
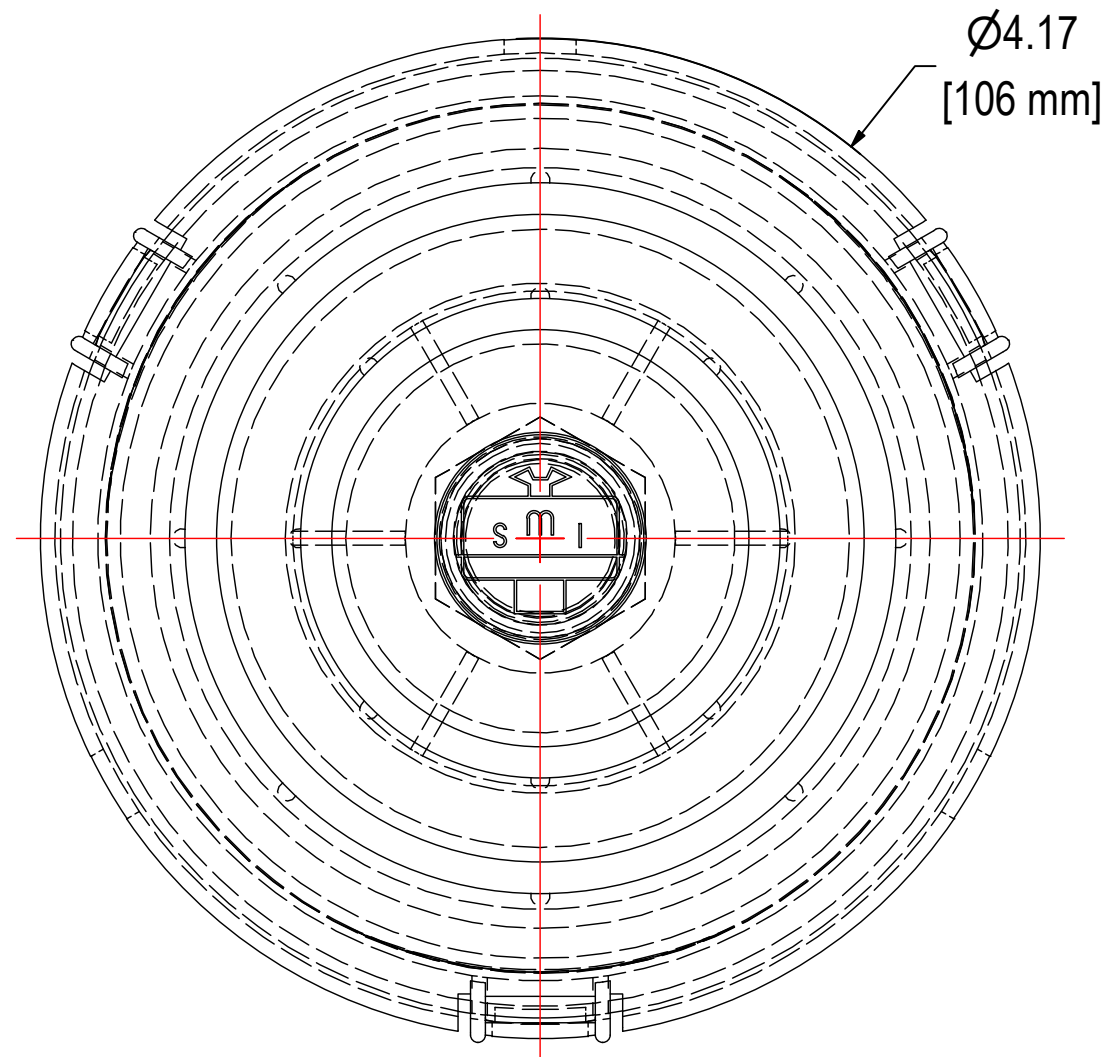


REV	DESCRIPTION	ECN #	CHG BY	DATE	APP'D
A	CONVERTED TO 3D	17890	EZR	12/18/19	TAS



ELEMENT SPECS		
PART NUMBER	10	
MATERIAL	PAPER	
FLOW RATE	35 CFM	59 m ³ /hr
SURFACE AREA	1.1 ft ²	0.1 m ²
I.D.	N/A	N/A
O.D.	4.00"	102mm
HEIGHT	1.37"	35mm

MODEL #: PS-10-050	MATERIAL: 33% GLASS FILLED NYLON	FINISH: NONE	SHEET: 1 OF 1
MODEL NUMBER: PS-10-050	DESCRIPTION: PS-10-050, BLACK		REV: A
PROJECT:	DRAWN BY: CRW	APPROVED BY: CJS	DATE: 9/24/2010
	DATE: 9/24/2010	DATE: 9/24/2010	

THE INFORMATION CONTAINED HEREIN IS CONFIDENTIAL AND THE PROPERTY OF SOLBERG MANUFACTURING INC. AND IT IS FURNISHED TO YOU WITH THE EXPRESS UNDERSTANDING THAT IT WILL NOT BE REPRODUCED, COPIED IN ANY MANNER, LOANED OR OTHERWISE TRANSFERRED TO OTHERS ENTIRELY OR IN PART, NOR USED FOR ANY PURPOSE OTHER THAN FOR WHICH IT WAS FURNISHED. IT WILL BE RETURNED UPON REQUEST TO SOLBERG MANUFACTURING INC. THE ABOVE RESTRICTION IS IN ADDITION TO, AND DOES NOT IN ANY WAY ALTER, ANY OTHER RESTRICTIONS WHICH MAY APPLY TO THE INFORMATION CONTAINED HEREIN.

TOLERANCES
 DIMENSIONS ARE FOR REFERENCE ONLY. ALL DIMENSIONS ARE SUBJECT TO CHANGE UPON PRODUCTION.
 UNLESS OTHERWISE SPECIFIED:
 -DIMENSIONS ARE IN INCHES
 -REF: APPROXIMATE DIMENSIONS, NO TOLERANCES APPLY
 -FINISH: BREAK EDGES TO .005-.020 RADIUS/CHAMFER

SOLBERG[®]
 Filtration • Separation • Silencing
 630.773.1363 • www.solbergmfg.com