

Document Number	Revision	Revision Date	Product Date Code
L4286	Rev. D	06/2022	C

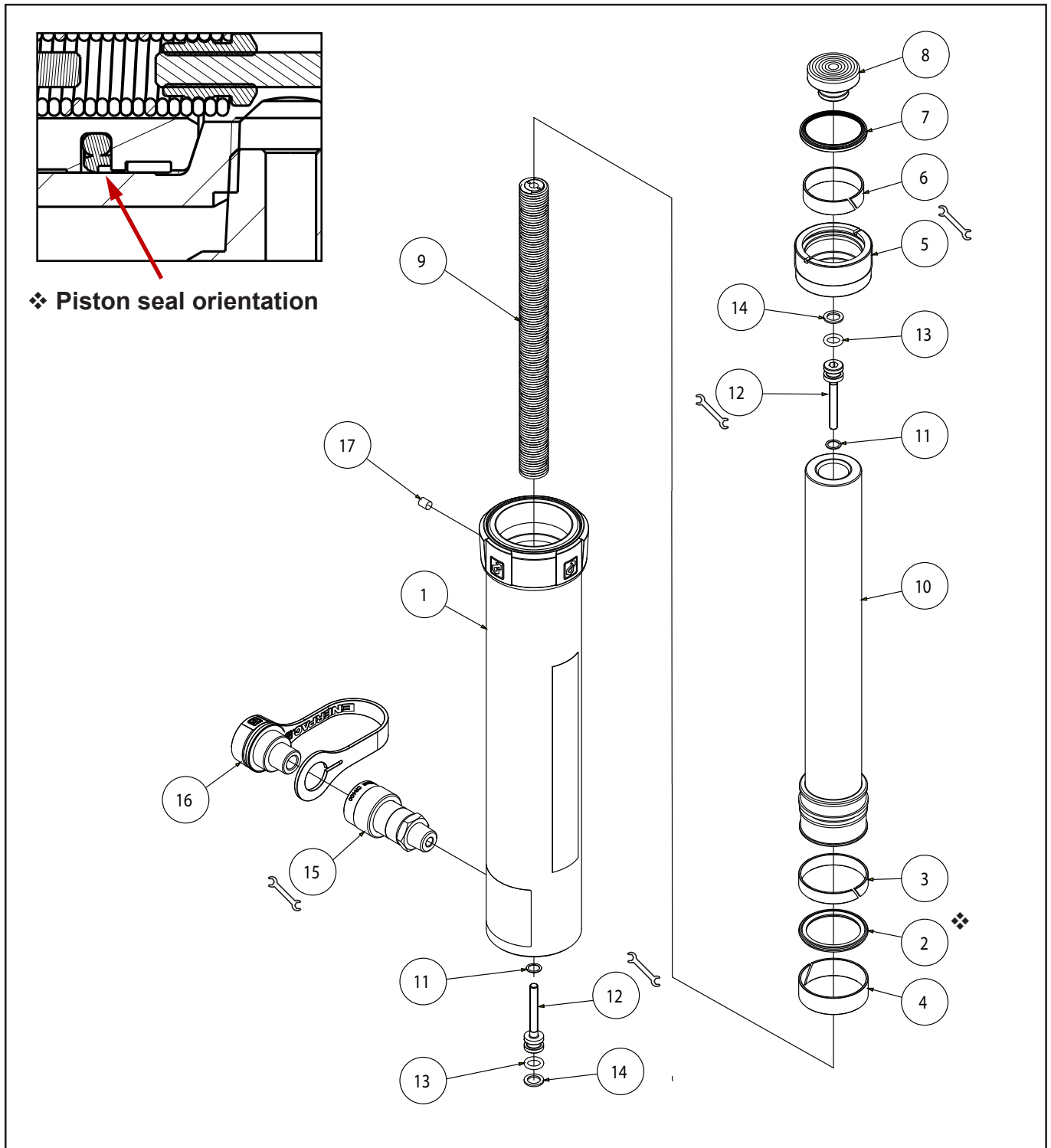


Figure 1, RC Hydraulic Cylinder, 15 Ton

## Repair Parts List, Figure 1

Item	Description	Qty	RC156	RC158	RC1510	RC1512	RC1514
1	Base	1	N/A	N/A	N/A	N/A	N/A
2	Piston Seal	1	▲ ●	▲ ●	▲ ●	▲ ●	▲ ●
3	Wear Band, Plunger	1	▲ ★	▲ ★	▲ ★	▲ ★	▲ ★
4	Wear Band, Plunger	1	▲ ◆	▲ ◆	▲ ◆	▲ ◆	▲ ◆
5	Stop Ring	1	RC156044	RC156044	RC156044	RC156044	RC156044
6	Wear Band, Stop Ring	1	▲ *	▲ *	▲ *	▲ *	▲ *
7	Wiper	1	▲ ✕	▲ ✕	▲ ✕	▲ ✕	▲ ✕
8	Saddle Assembly	1	A152G	A152G	A152G	A152G	A152G
9	Spring Assembly	1	RC15K33	RC15NKS1	RC15NKS2	RC15NKS3	RC15NKS4
10	Plunger	1	RC156040	RC158040	RC1510040	RC1512040	RC1514040
11	Copper Gasket	2	▲ ■	▲ ■	▲ ■	▲ ■	▲ ■
12	Screw, Socket Head	2	▲ ■	▲ ■	▲ ■	▲ ■	▲ ■
13	O-Ring	2	▲ ■	▲ ■	▲ ■	▲ ■	▲ ■
14	Backup, Split	2	▲ ■	▲ ■	▲ ■	▲ ■	▲ ■
15	Coupler	1	CR400	CR400	CR400	CR400	CR400
16	Dust Cap ▲	1	CD411	CD411	CD411	CD411	CD411
17	Filter	1	▲	▲	▲	▲	▲
N/S	O-ring, coupler	1	▲	▲	▲	▲	▲
N/S	Enerpac Decal	1	▲	▲	▲	▲	▲
N/S	Warning Decal	1	▲	▲	▲	▲	▲
N/S	O-ring, saddle	1	▲	▲	▲	▲	▲
N/S	Thread Protector	1	▲	▲	▲	▲	▲

**Notes:**

- ▲ Indicated item included in and available as a part of the Repair Kit RC15NK1<sup>(1)</sup>
- Indicated item included in and available as a part of the Spring Assembly
- Indicated item included in and available as packs of 10 units in Seal Kit (RC15NKS (see below))
- ★ Indicated item included in and available as packs of 10 units in Wear Band Kit Plunger RC15NKB1 (see below)
- ◆ Indicated item included in and available as packs of 10 units in Wear Band Kit Plunger RC15NKB2 (see below)
- \* Indicated item included in and available as packs of 10 units in Wear Band Kit Stop Ring RC15NKB3 (see below)
- ✕ Indicated item included in and available as packs of 10 units in Wiper Kit RC15NKW (see below)

●★◆\*✕ Kits only available in America

<sup>(1)</sup> Viton® seals are available in the RC15NK1V seal kit. Viton® equipped coupler CR400V can also be ordered separately for a complete conversion.



Item nr.	Torque/ remark
5	Secure with Loctite 222 and torque to 70-90 in-lbs [7.9-10.2 Nm]
12	Torque to 90-110 in-lbs [10.2-12.4 Nm]
15	Torque to 40-60 ft-lbs [54-81 Nm]
	Use Loctite 545 or Teflon Tape