

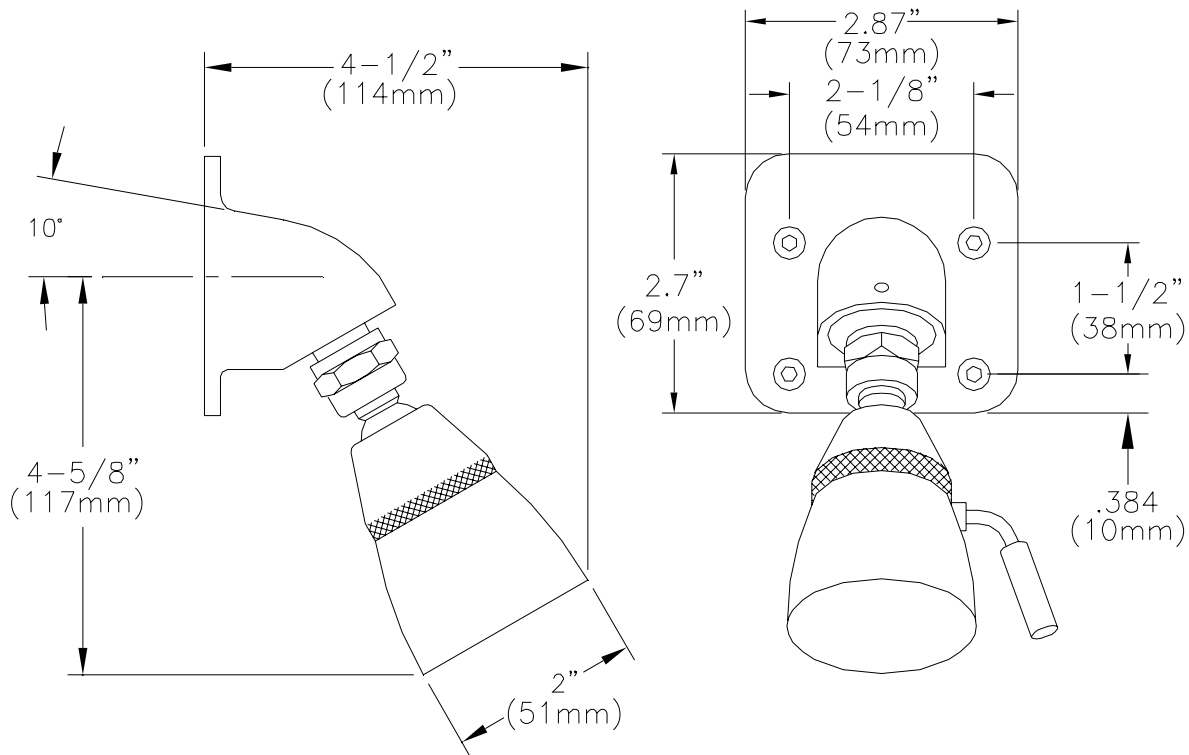


# TEMP-GARD INSTITUTIONAL SHOWER WALL MOUNT W/ LARGE BRASS HEAD W/ VOLUME CONTROL

Z7000-i5

TAG \_\_\_\_\_

**ENGINEERING SPECIFICATIONS:** Large, self-cleaning brass chrome plated shower head, with bronze body institutional wall mount with hard chrome plated finish, maximum flow rate 2.5 GPM at 80 PSI, variable flow orifice feature to maintain constant flow rate, 1/2" NPT female threaded inlet, body width spray pattern adjusts from needle shower to heavy wash, 4 mounting screws provided, vandal resistant standard.



Note: All dimensions are for reference only. Do not use for pre-plumbing

## OPTIONAL ACCESSORIES

Suffix	Description
___ AP	Anchor Plate
___ BP	Base Plate
___ -1.25	Water Saver Flow Control, 1.25 GPM
___ -1.5	Water Saver Flow Control, 1.5 GPM
___ -1.75	Water Saver Flow Control, 1.75 GPM
___ -2.0	Water Saver Flow Control, 2.0 GPM

## STANDARDS

Designed to meet the following standards:  
ASME A112.18.1/CSA B125.1

ZURN INDUSTRIES, LLC ♦ COMMERCIAL BRASS OPERATION ♦ 2640 SOUTH WORK STREET ♦ FALCONER NY 14733

Phone: 1-800-997-3876 ♦ Fax: 1-919-775-3541 ♦ www.zurn.com

In Canada: ZURN INDUSTRIES LIMITED ♦ 3544 Nashua Drive ♦ Mississauga, Ontario L4V1L2 ♦ Phone: 905/405-8272 Fax: 905/405-1292