

WINGITS®

Standard Superior Poly-Painted Grab Bar

Model: WGB6YS

Part Numbers:

WGB6YS12zz
12" Painted Finish

WGB6YS16zz
16" Painted Finish

WGB6YS18zz
18" Painted Finish

WGB6YS24zz
24" Painted Finish

WGB6YS30zz
30" Painted Finish

WGB6YS32zz
32" Painted Finish

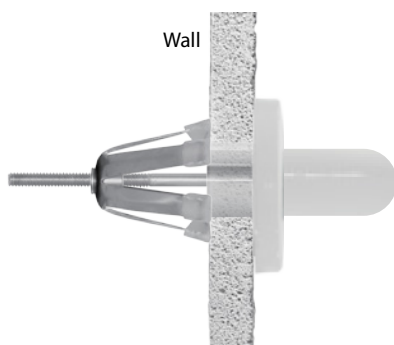
WGB6YS36zz
36" Painted Finish

WGB6YS42zz
42" Painted Finish

WGB6YS48zz
48" Painted Finish

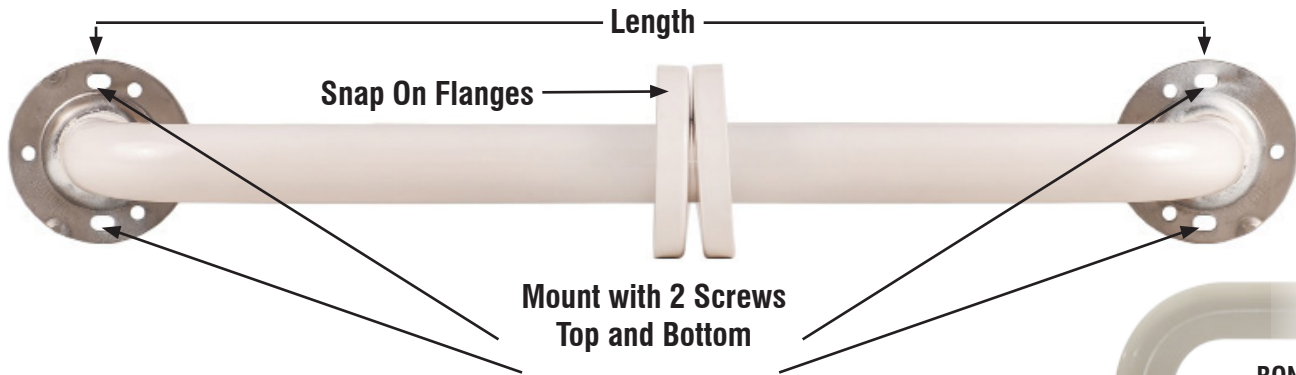


- All parts are Stainless Steel - tubing is 18-gauge (1.2mm)
- Mounting Flanges are 3" (75mm) in diameter, 3/32" (2.5mm) thick, HeliArc welded to the tubing. Mounting Flanges have 5 holes for attachment to WINGITS or adequate blocking.
- Snap-On Flange Covers are 22 gauge (0.8mm) drawn stainless steel, 3" (76mm) in diameter and 3/8" (10mm) in height.
- Provide 1-1/2" (38mm) clearance from wall.



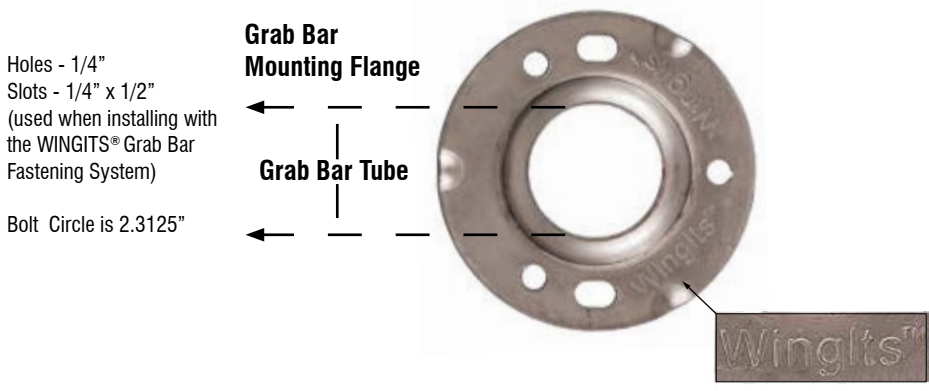
MECHANICAL DATA
Width: See product part number for width. Complete length of Grab Bar is usable surface.
Diameter: 1.5" (3.8cm)
PRODUCT COMPOSITION
Entire product is stainless steel.
MODALITY
Use: Wall Installation.
Load Capability: 800 lbs (362.9kg)
INSTALLATION
WINGITS® Structural Stainless Steel Grab Bars are designed to hold live loads and must be installed into adequate structural blocking or with WINGITS® Grab Bar Fasteners
CERTIFICATIONS
WINGITS® Structural Stainless Steel Grab Bars meet or exceed the applicable requirements of all building codes, ADA criteria, and 2010 ADAAG and 2009 ANSI standards.
RECOMMENDED INTEGRATION
For hollow wall construction, it is recommended that WINGITS® Grab Bar Fasteners are used with this product. See Fastener instructions for applications.

WINGITS®



WINGIT P/N	DIMENSION	DESCRIPTION
WGB6YS12zz	12" x 1.5	12" Polyester Paint Stainless Steel 1.5" OD Grab Bar
WGB6YS16zz	16" x 1.5	16" Polyester Paint Stainless Steel 1.5" OD Grab Bar
WGB6YS18zz	18" x 1.5	18" Polyester Paint Stainless Steel 1.5" OD Grab Bar
WGB6YS24zz	24" x 1.5	24" Polyester Paint Stainless Steel 1.5" OD Grab Bar
WGB6YS30zz	30" x 1.5	30" Polyester Paint Stainless Steel 1.5" OD Grab Bar
WGB6YS32zz	32" x 1.5	32" Polyester Paint Stainless Steel 1.5" OD Grab Bar
WGB6YS36zz	36" x 1.5	36" Polyester Paint Stainless Steel 1.5" OD Grab Bar
WGB6YS42zz	42" x 1.5	42" Polyester Paint Stainless Steel 1.5" OD Grab Bar
WGB6YS48zz	48" x 1.5	48" Polyester Paint Stainless Steel 1.5" OD Grab Bar

Options For Polyester Paint "zz" (Finish): BO = BONE, BI = BISCUIT, ORB = OIL RUBBED BRONZE, BLKORB = BLACK OIL RUBBED BRONZE, WH = WHITE



INCLUDED HARDWARE



OPTIONAL HARDWARE
(Sold Separately)

