

# WINGITS®

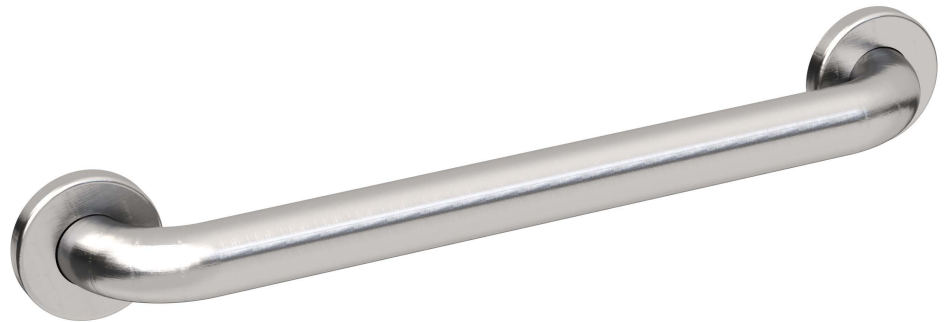
# STANDARD™

## Stainless Steel Grab Bar 1.5" Diameter

Model:  
**WGB6**

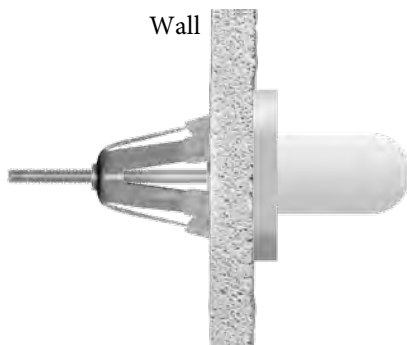
**Part Numbers:**

- WGB6SS12**  
12" Satin Finish
- WGB6SS16**  
16" Satin Finish
- WGB6SS18**  
18" Satin Finish
- WGB6SS24**  
24" Satin Finish
- WGB6SS30**  
30" Satin Finish
- WGB6SS32**  
32" Satin Finish
- WGB6SS36**  
36" Satin Finish
- WGB6SS42**  
42" Satin Finish
- WGB6SS48**  
48" Satin Finish



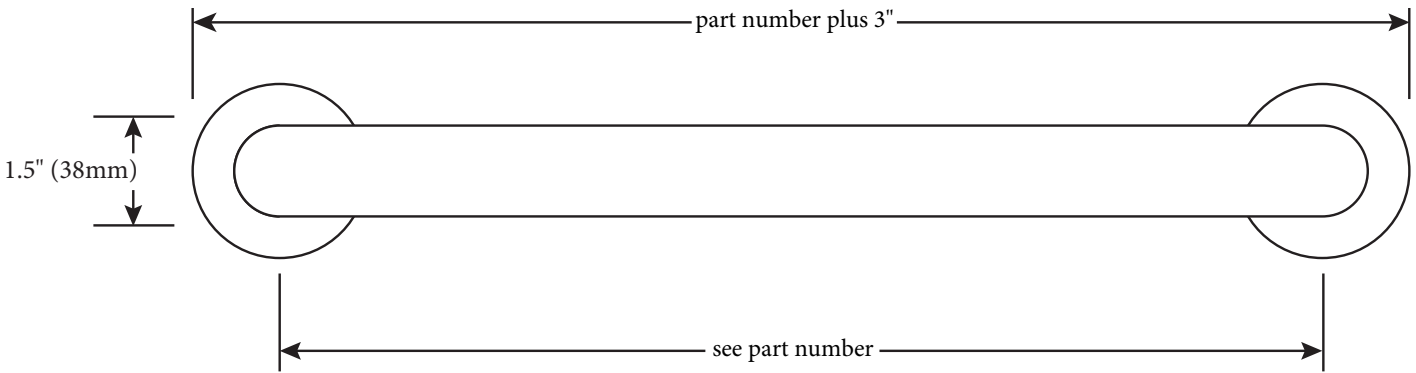
**Features:**

- All parts are 18-8 (304) Stainless Steel - tubing is 18-Gauge (1.2mm)
- Mounting Flanges are 3" (76mm) in diameter, 3/32" (2.5mm) thick, HeliArc welded to the tubing
- Mounting Flanges have 5 holes for attachment to WINGITS® Fasteners or adequate blocking
- Meets or Exceeds all Building Codes, ADA Criteria, 2010 ADAAG and 2017 ANSI Standards

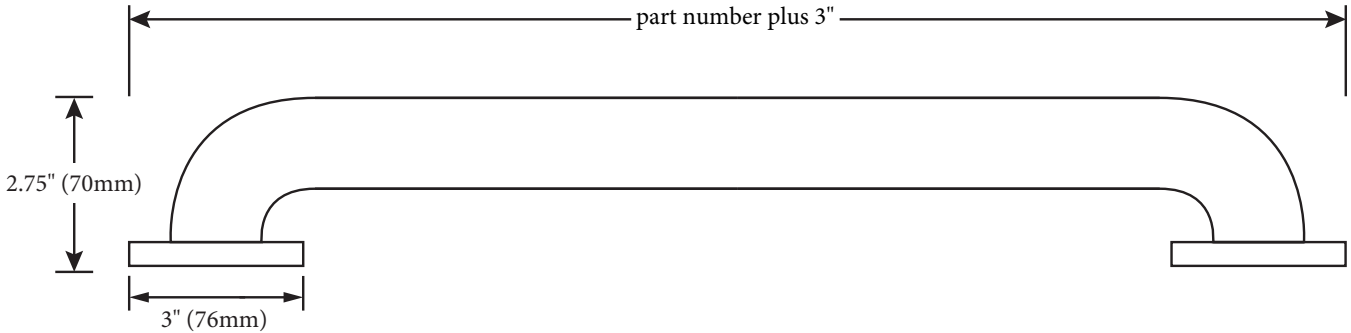


<b>MECHANICAL DATA</b>
Length: see part number
Height: 3" (76mm)
Depth: 3" (76mm)
Tube Diameter: 1.5" (38mm)
<b>COMPOSITION</b>
18-8 (304) Stainless Steel
<b>INSTALLATION</b>
Includes Stainless Steel Screws to Install into <b>Adequate Structural Blocking</b> . Can Be Installed with WINGITS® Fasteners when blocking is not available.
<b>RECOMMENDED INTEGRATION</b>
Install into <b>Adequate Structural Blocking</b> or with WINGITS® Fasteners.

**Front**



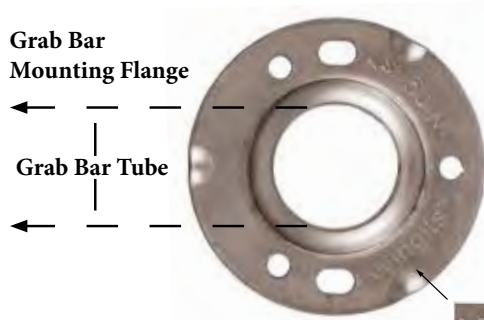
**Top**



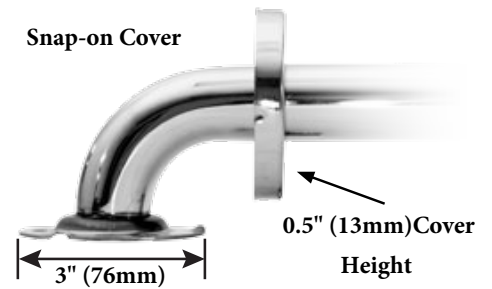
Holes - 0.25" (6mm)  
 Slots - 0.25" (6mm) x 0.5" (13mm)  
 (used when installing with the  
 WINGITS® Grab Bar Fastening  
 System)  
 Bolt Circle is 2.3125" (59mm)

**Grab Bar  
 Mounting Flange**

**Grab Bar Tube**



**Snap-on Cover**



**Included Hardware**



2.5" S/S Screw (6)

**Optional Hardware  
 (Sold Separately)**



WINGITS® Grab Bar  
 Fastener (GBW40) (2)



WINGITS® Reverse Grab Bar  
 Fastener (SRGBW40) (2)



WINGITS® Structurally  
 Engineered (RES) Grab Bar  
 Fastener (RESGBW35) (2)