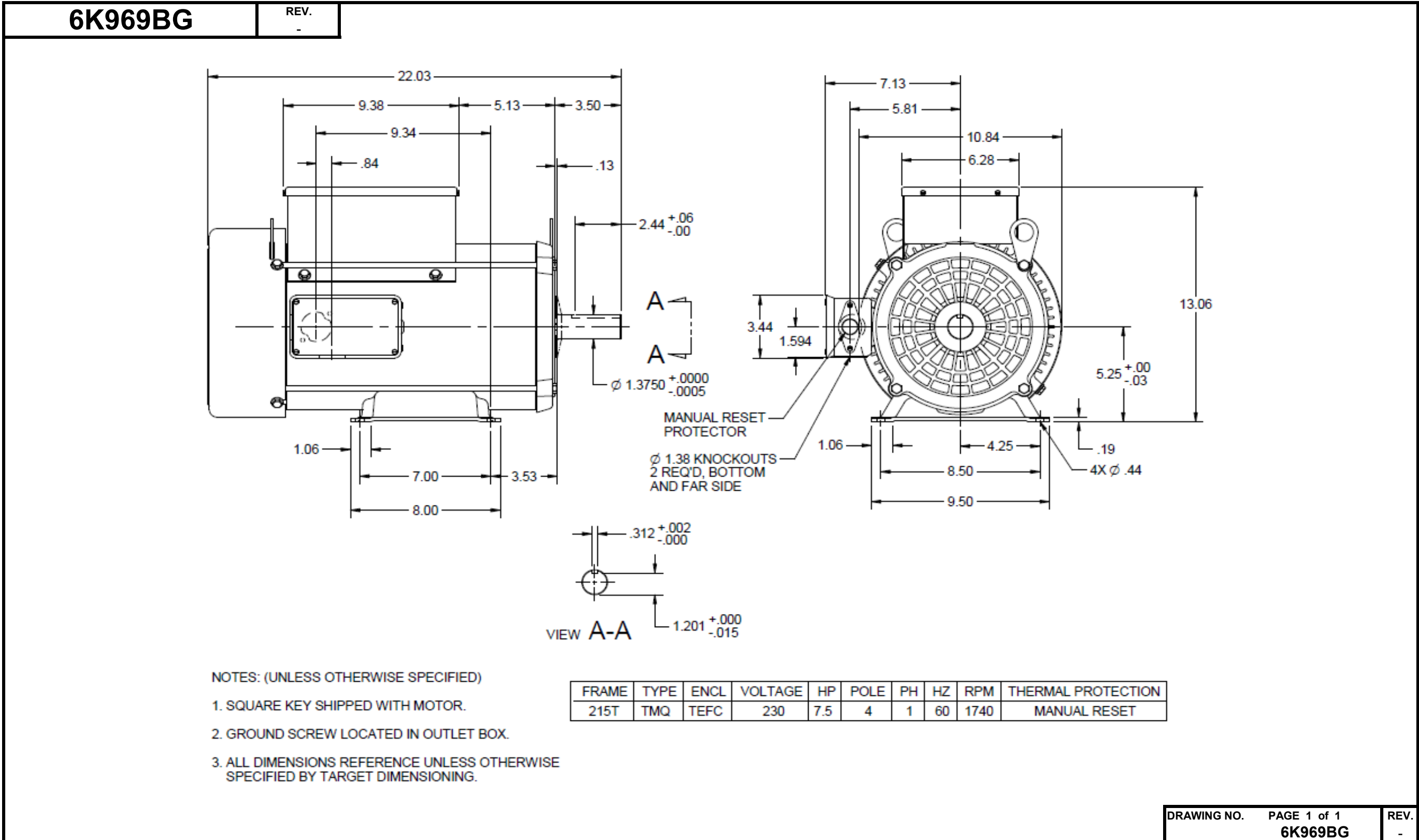


Dimensional Drawing



Performance Data



6K969BG

REV.
X

MOTOR PERFORMANCE

MODEL NO.	SKU NO.	PHASE	TYPE	FRAME
6K969BG	6K969BG	1	SMA	215T

ORDER NO.	NA	LINE NO.

HP:	7.5
POLES:	4
HZ:	60
SERVICE FACTOR:	1.00
DUTY CYCLE:	CONTINUOUS
ALTITUDE (FASL) FT:	3300
MAX AMBIENT:	40°C
ENCLOSURE:	TE
INSULATION CLASS:	F
VOLTS:	230
EFFICIENCY (%):	
S.F.	-
FULL	86.1
3/4	85.9
1/2	82.6
1/4	71.4
POWER FACTOR (%):	
S.F.	-
FULL	95.5
3/4	96.3
1/2	96.2
1/4	93.7
AMPS:	
S.F.	-
FULL	30.0
3/4	22.1
1/2	15.3
1/4	9.2
NO LOAD	3.5
LOCKED ROTOR AMPS:	204
NEMA CODE LETTER	G
NEMA DESIGN LETTER	L
FULL LOAD RPM	1740
THERMAL PROTECTION	MANUAL RESET
TORQUES:	
BREAKDOWN{LB-FT}	54.0
LOCKED ROTOR{LB-FT}	47.5
FULL LOAD{LB-FT}	22.6

NEMA Nominal and Guaranteed Efficiencies are up to 3,300 feet above sea level and 25 ° C ambient

DRAWING NO.	PAGE 1 of 2	REV.
	6K969BG	X

Dayton Electric Mfg. Co. Lake Forest, IL 60045 USA

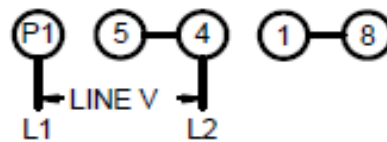
6K969BG

REV.
0

Motor Wiring Diagram

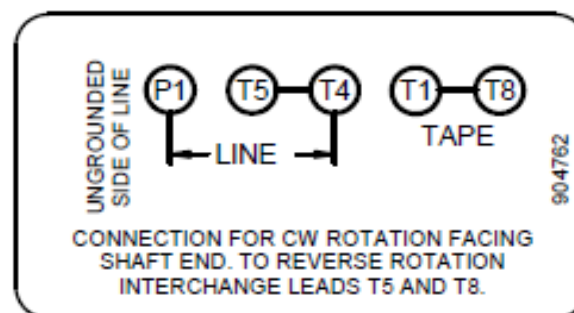
5 Lead, Single Phase, Single Voltage,
Thermally Protected, CW Rotation

**SINGLE PHASE THERMALLY PROTECTED
PROTECTION THERMIQUE INHERENTE
MOTOR LEAD CONNECTIONS**



CONNECTION FOR CW ROTATION
FACING SHAFT END. TO REVERSE ROTATION
INTERCHANGE LEADS 5 AND 8.
MOTOR MUST BE GROUNDED (USE GREEN LEAD IF
SUPPLIED) PER THE NATIONAL ELECTRIC CODE.

912541



Connected for CW Rotation Facing the Shaft End.

To Reverse Direction of Rotation, Interchange Leads 5 & 8.

Each lead may have one or more cables comprising that lead.
In such case, cable will be marked with the appropriate lead number.

DRAWING NO.	PAGE 1 of 1	REV.
6K969BG		0

Dayton**Farm Duty Motor**

258525

MODEL NO **6K969BG**VOLTS **230**HP **7.5**RPM **1740**AMPS **30.0**PH **1** FRAME **215T**TYPE **TMA**

SFA

SF **1.0**HZ **60**NEMA
DESIGN **L**INSUL
CLASS **F**ENCL **TEFC**MAX
AMB **40 C**LR KVA
CODE **G**THERMALLY
PROTECTED **MANUAL RESET**DUTY **CONT**SHAFT
END BRG **6208**OPP
END BRG **6205**MOTOR
REF

Make sure that voltage,
phase and freq of line
agrees with values given
on this plate. Connect
per wiring diagram
supplied with motor.

Manufactured for Dayton Electric Mfg. Co., Lake Forest, IL 60045 U.S.A.

Made in Mexico

2040632