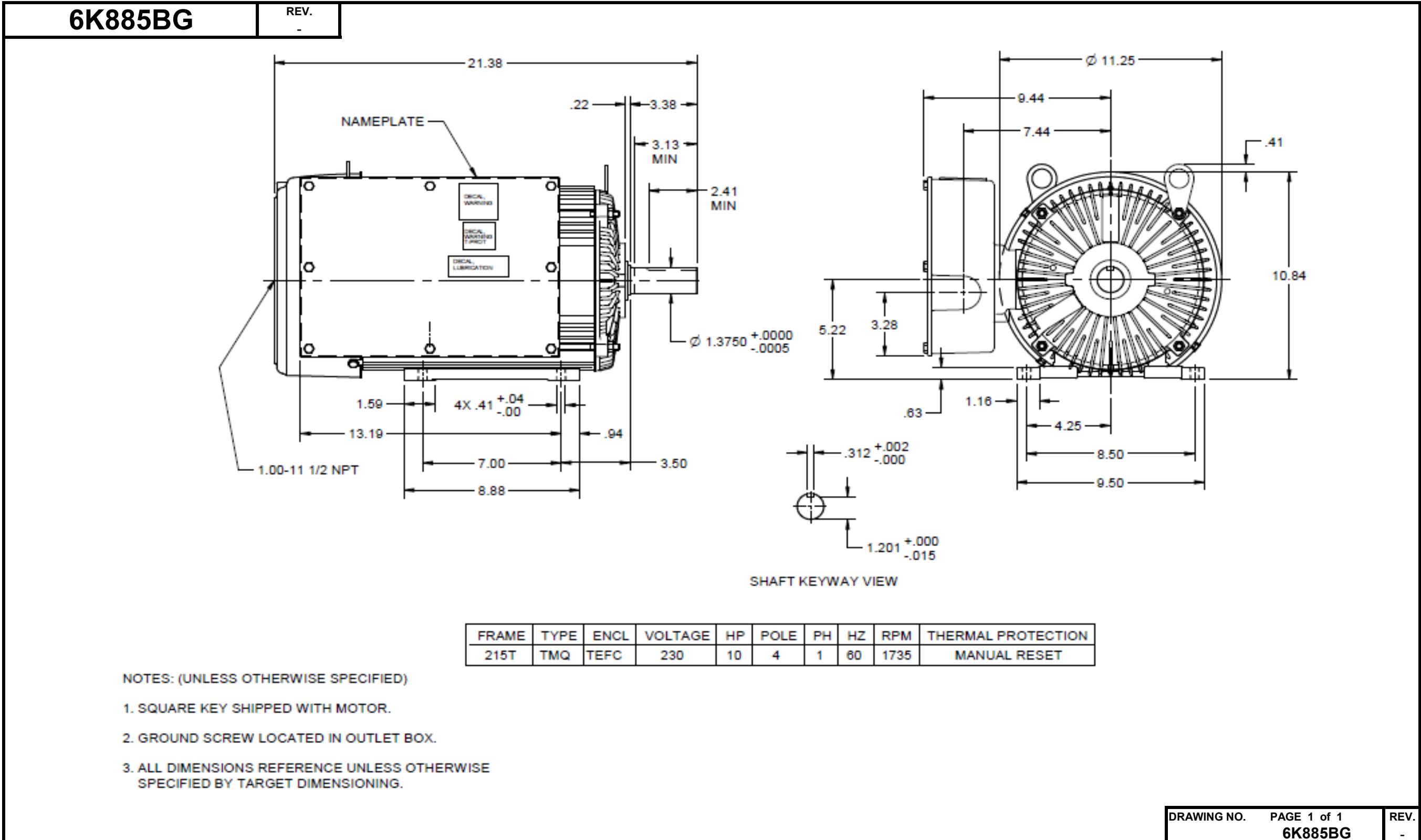


# Dimensional Drawing



**Dayton Electric Mfg. Co. Lake Forest, IL 60045 USA**

# Performance Data



**6K885BG**

REV.  
-

## MOTOR PERFORMANCE

MODEL NO.	SKU NO.	PHASE	TYPE	FRAME
6K885BG	6K885BG	1	TMQ	215T

ORDER NO.	NA	LINE NO.

HP:	10
POLES:	4
HZ:	60
SERVICE FACTOR:	1.15
DUTY CYCLE:	CONTINUOUS
ALTITUDE (FASL) FT:	3300
MAX AMBIENT:	40 °C
ENCLOSURE:	TEFC
INSULATION CLASS:	F
VOLTS:	230
EFFICIENCY (%):	
S.F.	83.8
FULL	85.0
3/4	86.4
1/2	83.7
1/4	73.5
POWER FACTOR (%):	
S.F.	94.0
FULL	94.8
3/4	93.5
1/2	90.3
1/4	73.9
AMPS:	
S.F.	47.0
FULL	41.0
3/4	30.0
1/2	21.5
1/4	14.9
NO LOAD	12.3
LOCKED ROTOR AMPS:	288
NEMA CODE LETTER	H
NEMA DESIGN LETTER	L
FULL LOAD RPM	1735
THERMAL PROTECTION	MANUAL RESET
TORQUES:	
BREAKDOWN{LB-FT}	65.7
LOCKED ROTOR{LB-FT}	90.2
FULL LOAD{LB-FT}	29.2

NEMA Nominal and Guaranteed Efficiencies are up to 3,300 feet above sea level and 25 °C ambient

The Above Data Is Typical, Sinewave Power Unless Noted Otherwise

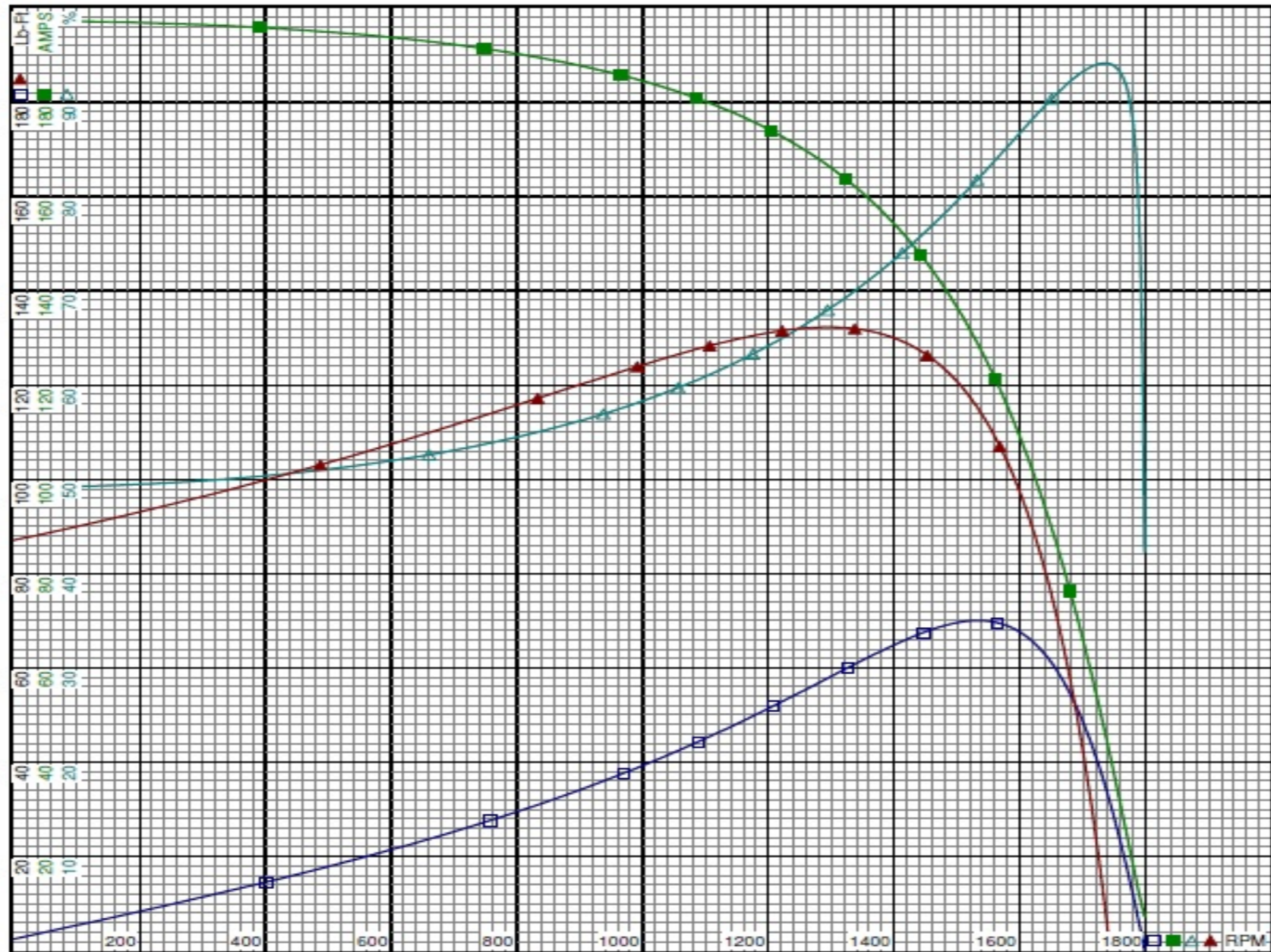
DRAWING NO.	PAGE 1 of 1	REV.
	6K885BG	-

**Dayton Electric Mfg. Co. Lake Forest, IL 60045 USA**

# Performance Data



**6K885BG**      REV. -



**Curve Descriptions:**  
 Motor(1) Test 1 Run 230V 60 Hz 4P  
 Motor(1) Test 2 Start 230V 60 Hz 4P

□ TORQUE vs SPEED  
■ ILine vs SPEED  
△ PF vs SPEED  
▲ TORQUE vs SPEED

**Motor Ratings:**  
 (1) 6K885BG ID: 6K885BG

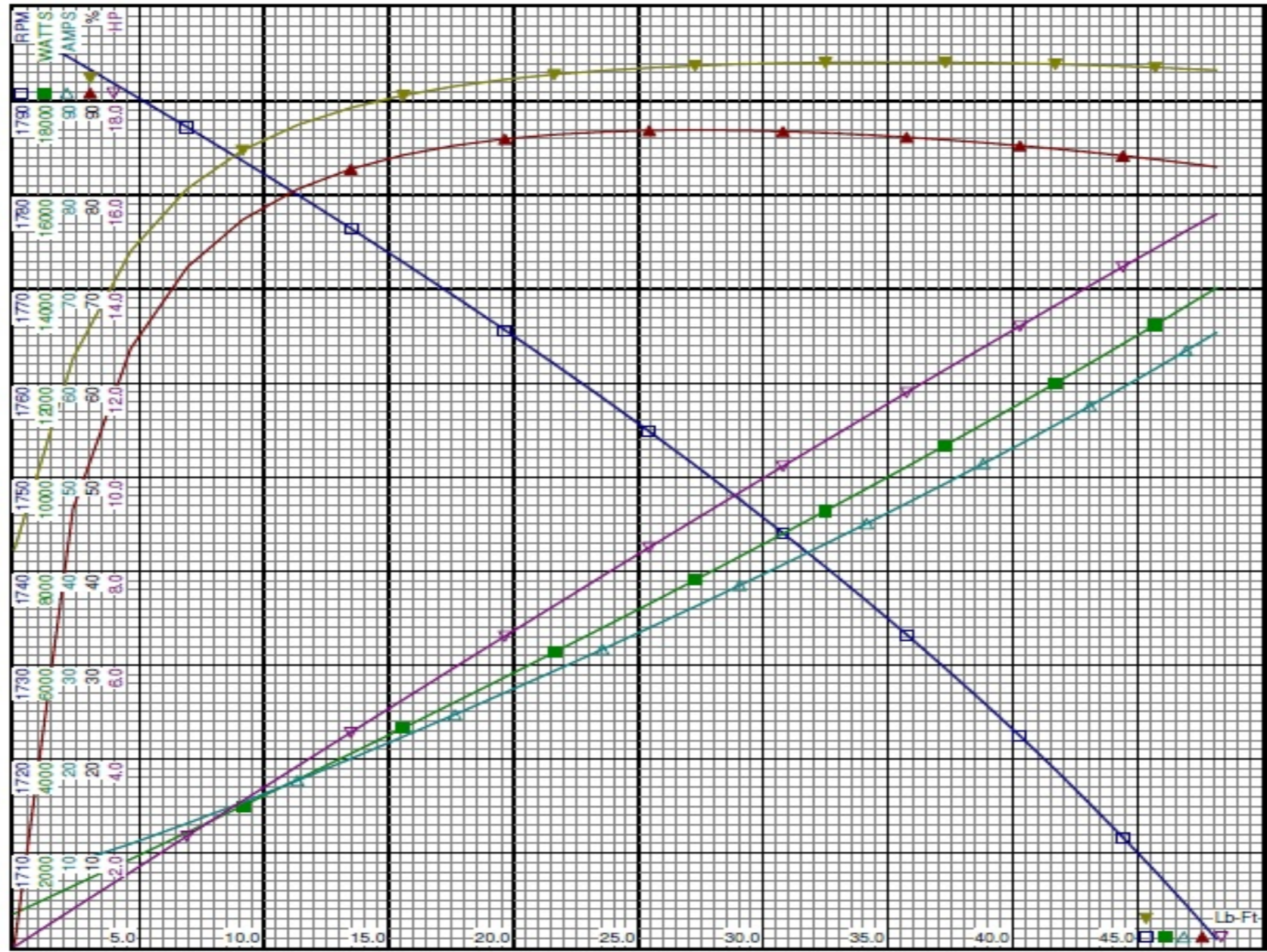
DRAWING NO.	PAGE 1 of 2	REV.
6K885BG		-

**Dayton Electric Mfg. Co. Lake Forest, IL 60045 USA**

# Performance Data



**6K885BG**      REV. -



**Curve Descriptions:**  
 Motor(1) Test 1 Run 230V 60 Hz 4P

- SPEED vs TORQUE
- WATTS vs TORQUE
- △ ILine vs TORQUE
- ▲ EFF vs TORQUE
- ▽ HP vs TORQUE
- ▼ PF vs TORQUE

**Motor Ratings:**  
 (1) 6K885BG ID: 6K885BG

DRAWING NO.	PAGE 2 of 2	REV.
6K885BG		-

**Dayton Electric Mfg. Co. Lake Forest, IL 60045 USA**

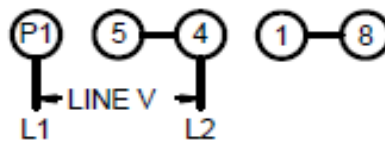
6K885BG

REV.  
0

## Motor Wiring Diagram

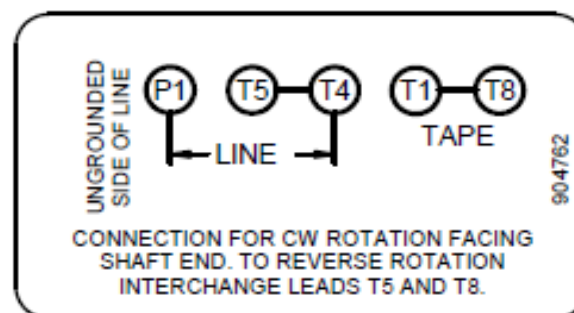
5 Lead, Single Phase, Single Voltage,  
Thermally Protected, CW Rotation

**SINGLE PHASE THERMALLY PROTECTED  
PROTECTION THERMIQUE INHERENTE  
MOTOR LEAD CONNECTIONS**



CONNECTION FOR CW ROTATION  
FACING SHAFT END. TO REVERSE ROTATION  
INTERCHANGE LEADS 5 AND 8.  
MOTOR MUST BE GROUNDED (USE GREEN LEAD IF  
SUPPLIED) PER THE NATIONAL ELECTRIC CODE.

912541



Connected for CW Rotation Facing the Shaft End.

To Reverse Direction of Rotation, Interchange Leads 5 & 8.

Each lead may have one or more cables comprising that lead.  
In such case, cable will be marked with the appropriate lead number.

DRAWING NO.	PAGE 1 of 1	REV.
6K885BG		0

**Dayton****Farm Duty Motor**MODEL NO **6K885BG**VOLTS **230**HP **10**RPM **1735**AMPS **41.0**PH **1**FRAME **215T**TYPE **TMQ**SFA **47.0**MOTOR  
REFSF **1.15**HZ **60**NEMA  
DESIGN **L**INSUL  
CLASS **F**ENCL **TEFC**MAX  
AMB **40 C**LR KVA  
CODE **H**THERMALLY  
PROTECTED**MANUAL RESET**DUTY **CONT**SHAFT  
END BRG **6208**OPP  
END BRG **6205**

Make sure that voltage, phase and freq of line agrees with values given on this plate. Connect per wiring diagram supplied with motor.

Manufactured for Dayton Electric Mfg. Co., Lake Forest, IL 60045 U.S.A.

Made in Mexico

2040632