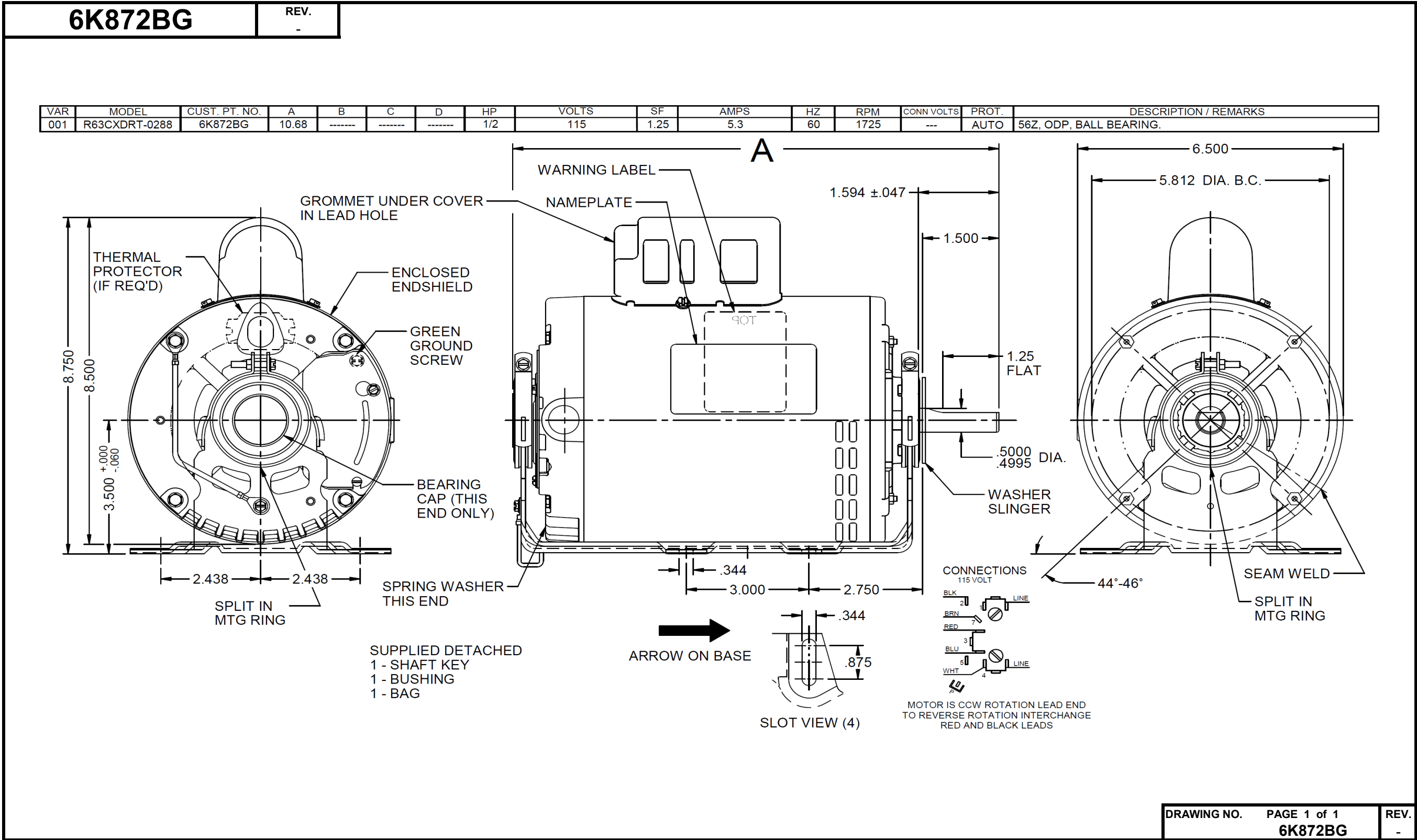


Dimensional Drawing



DRAWING NO.	PAGE 1 of 1	REV.
6K872BG		-

Dayton Electric Mfg. Co. Lake Forest, IL 60045 USA

Performance Data



6K872BG		REV.							
MOTOR PERFORMANCE									
HP:	1/2								
Poles:	4								
No. of Speeds:	1								
Volts:	115	115	230	230	277	460	100	200	
HZ:	60	60	60	60	60	60	50	50	
Service Factor:	1.25								
Efficiency:	@ Rated Load	76.70							
Power Factor:	@ Rated Load	86.60							
Amps:	@ No Load	2.14							
	@ Rated Load	4.89							
	@ Service Factor	5.88							
	@ Locked Rotor	44.16							
RPM:	@ Rated Load	1753							
Ambient (°C):									
Altitude (FASL):									
Torques:	Breakdown	65.3							
	Locked Rotor	27.66							
	Pull-Up	27.08							
	Rated Load	23.96							
	Service Factor	1739							
Watts:	Rated Load	486							
KVA Code:									
Temperature Rise:	@ Rated Load	19.4							
	@ Service Factor	22.5							
Thermal Protector:	Trip Temp (°C)	111.8							
Winding Material:	Start (Auxiliary)					Cu			
	Run (Main)					Cu			
Capacitor(s):	Start (MFD / Volts)					N/A			
	No. of Start Capacitors					N/A			
	Run (MFD / Volts)					15 MFD / 370 V			
	No. of Run Capacitors					1			
LOW SPEED PERFORMANCE DATA:									
HP:									
Poles:									
Volts:		120	208	230	277	460	100	200	
HZ:		60	60	60	60	60	50	50	
Efficiency:	@ Rated Load								
Power Factor:	@ Rated Load								
Amps:	@ No Load								
	@ Rated Load								
	@ Service Factor								
	@ Locked Rotor								
Torques:	Bead Down								
	Locked Rotor								
	Pull-Up								
	Rated Load								
	Service Factor								
Watts:	@ Rated Load								
Temperature Rise:	@ Rated Load								
	@ Service Factor								
		DRAWING NO. PAGE 1 of 1				REV.			
		6K872BG				-			

Dayton Electric Mfg. Co. Lake Forest, IL 60045 USA

Performance Data



6K872BG REV.
-

Dayton Manufacturing Company

Motor Description

Model: R063DRT028801 6K872BG
 Motor ID: 1 of 1
 Poles: 4
 Volts: 115
 Frequency: 60
 HP: 1/2
 Speed: 1725
 Phase: 1
 Protector: CEJ52JX

Test Conditions

Test Type: Start Run Cap: 15 µFd
 Test Number: 3 Start Cap: 0µfd
 Poles: 4 Environment: 24.3 Deg C 54 % RH 968 hPa
 Volts: 115 Tested: 9/6/2016 11:04:39 AM
 Hz: 60 Tested By: Navarro, Susana
 Rotation: Gear Ratio: 1:1
 Special Cond: Bearing Friction: -0.31 Oz-Ft
 Speed Conn: Windage Torque: -1.49 Oz-Ft
 TestBoard: CMD InLine Three Phase #1 Fixture #1

Special Points	Vline (V)	Vaux (V)	Vcap (V)	Iline (A)	Watts	RPM	Tq(Oz-ft)	HP	Eff (%)	PF (%)
PUT OZ-FT	115.0	148.3	43.5	44.16	3927	36	27.66	0.012	0.2	77.3
	115.0	149.6	44.7	43.73	3899	194	27.08	0.062	1.2	77.5
	115.0	149.6	44.7	43.73	3899	194	27.08	0.062	1.2	77.5
	115.0	151.1	46.2	43.22	3867	348	33.15	0.137	2.7	77.8
	115.0	152.7	47.5	42.53	3811	486	36.44	0.211	4.1	77.9
	115.0	156.0	50.4	42.03	3744	619	33.98	0.250	5.0	77.5
	115.0	159.5	54.3	41.97	3758	741	30.62	0.270	5.4	77.9
	115.0	162.0	57.1	41.37	3745	854	35.79	0.364	7.3	78.7
	115.0	164.8	59.9	40.54	3706	961	40.44	0.463	9.3	79.5
	115.0	167.7	63.0	39.60	3654	1059	44.42	0.560	11.4	80.2
	115.0	170.4	65.8	38.72	3600	1138	47.58	0.645	13.4	80.9
	115.0	174.1	69.7	37.52	3520	1229	50.41	0.737	15.6	81.6
	115.0	177.4	73.4	36.34	3437	1304	51.20	0.795	17.3	82.2
	115.0	180.8	77.3	35.10	3342	1372	51.25	0.837	18.7	82.8
	115.0	110.7	124.3	19.28	1821	1433	57.65	0.984	40.3	82.1
	115.0	121.3	132.0	17.85	1724	1489	60.01	1.063	46.0	84.0
	115.0	132.4	142.0	16.20	1596	1538	60.04	1.099	51.4	85.7
	115.0	143.5	153.0	14.48	1451	1582	58.35	1.099	56.5	87.1
	115.0	154.1	164.2	12.78	1298	1621	55.33	1.068	61.3	88.4
	115.0	164.6	176.1	11.03	1134	1655	51.00	1.005	66.1	89.4
	115.0	173.9	187.1	9.45	977	1684	45.33	0.908	69.4	89.9
	115.0	182.7	198.1	7.87	814	1709	38.77	0.789	72.3	89.9
	115.0	190.1	207.7	6.51	669	1730	31.83	0.655	73.1	89.4
	115.0	196.4	216.5	5.30	533	1748	25.35	0.528	73.9	87.4
	115.0	201.6	223.9	4.31	418	1762	19.12	0.401	71.5	84.5
	115.0	206.3	230.8	3.45	316	1773	13.34	0.282	66.5	79.5
	115.0	208.8	235.8	2.93	242	1782	8.73	0.185	57.1	71.7
	115.0	212.2	241.4	2.48	181	1788	4.81	0.102	42.3	63.3
	115.0	214.9	246.3	2.21	133	1794	1.80	0.038	21.5	52.5
	115.0	216.6	249.3	2.09	100	1797	0.25	0.005	4.0	41.7
	115.0	217.0	249.7	2.07	95	1797	0.00	0.000	0.0	40.1

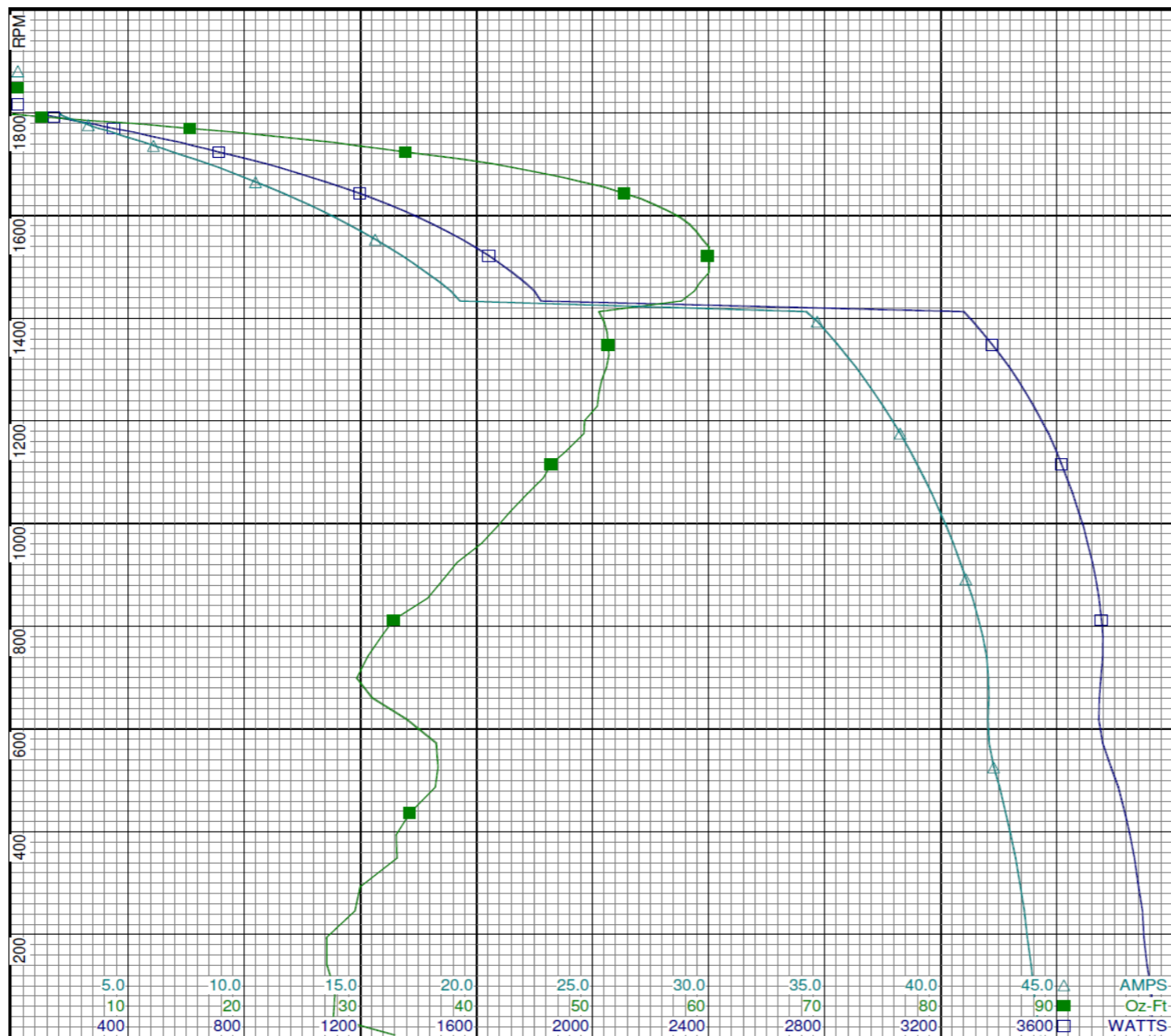
DRAWING NO. PAGE 1 of 4 REV.
6K872BG -

Dayton Electric Mfg. Co. Lake Forest, IL 60045 USA

Performance Data



6K872BG REV. -



Dayton

Curve Descriptions:
Motor(1) Test 3 Start 115V 60 Hz 4P

- SPEED vs WATTS
- SPEED vs TORQUE
- △ SPEED vs ILine

Motor Ratings:
(1) R063DRT028801 6K872BG

DRAWING NO.	PAGE 2 of 4	REV.
	6K872BG	-

Dayton Electric Mfg. Co. Lake Forest, IL 60045 USA

Performance Data



6K872BG	REV. -
----------------	-----------

Dayton Manufacturing Company

Motor Description

Model: R063DRT028801 6K872BG
 Motor ID: 1 of 1
 Poles: 4
 Volts: 115
 Frequency: 60
 HP: 1/2
 Speed: 1725
 Phase: 1
 Protector: CEJ52JX

Test Conditions

Test Type: Run
 Test Number: 2
 Poles: 4
 Volts: 115
 Hz: 60
 Rotation:
 Special Cond:
 Speed Conn:
 TestBoard: CMD InLine Three Phase #1 Fixture #1
 Run Cap: 15 µFd
 Start Cap: 0µfd
 Environment: 24.3 Deg C 54 % RH 968 hPa
 Tested: 9/6/2016 11:03:06 AM
 Tested By: Navarro, Susana
 Gear Ratio: 1:1
 Bearing Friction: -0.31 Oz-Ft
 Windage Torque: -1.48 Oz-Ft

Special Points	Vline (V)	Vaux (V)	Vcap (V)	Iline (A)	Watts	RPM	Tq(Oz-ft)	HP	Eff (%)	PF (%)
	115.0	215.9	249.4	2.11	92	1797	0.00	0.000	0.0	37.9
	115.0	215.0	247.7	2.19	112	1794	1.31	0.028	18.7	44.4
	115.0	212.1	242.5	2.47	171	1788	4.84	0.103	45.0	60.1
	115.0	209.2	237.6	2.79	220	1782	7.94	0.169	57.2	68.5
	115.0	206.5	231.8	3.47	314	1773	13.51	0.285	67.8	78.8
	115.0	202.5	225.8	4.25	413	1761	19.50	0.409	73.8	84.5
24.34 OZ-FT	115.0	198.3	220.2	4.95	494	1752	24.34	0.508	76.7	86.7
0.5 HP	115.0	198.7	220.7	4.89	486	1753	23.96	0.500	76.7	86.6
	115.0	197.1	218.4	5.17	519	1749	25.60	0.533	76.6	87.3
30.5 OZ-FT	115.0	193.0	212.8	5.93	605	1738	30.50	0.631	77.8	88.8
0.625 HP	115.0	193.3	213.2	5.88	600	1739	30.19	0.625	77.7	88.8
	115.0	189.9	208.2	6.56	676	1729	33.72	0.694	76.6	89.6
	115.0	182.0	198.0	8.00	830	1708	41.08	0.835	75.1	90.2
	115.0	173.1	186.7	9.61	996	1683	48.57	0.973	72.9	90.2
	115.0	163.3	174.9	11.33	1167	1654	54.59	1.075	68.7	89.6
	115.0	153.0	163.1	13.07	1331	1620	59.63	1.150	64.5	88.5
	115.0	142.1	151.4	14.84	1487	1581	63.32	1.192	59.8	87.1
	115.0	131.8	141.2	16.43	1619	1542	64.93	1.192	54.9	85.7
BDT OZ-FT	115.0	123.7	133.7	17.68	1718	1508	65.34	1.173	50.9	84.5
	115.0	119.3	129.8	18.35	1766	1488	65.00	1.151	48.6	83.7
	115.0	108.1	121.0	19.95	1878	1433	63.52	1.083	43.0	81.9
	115.0	98.7	114.6	21.27	1962	1378	61.47	1.008	38.3	80.2
	115.0	87.2	108.5	22.78	2046	1304	57.05	0.885	32.3	78.1
	115.0	78.7	105.2	23.86	2099	1238	52.76	0.778	27.6	76.5
	115.0	68.5	102.6	25.12	2152	1146	46.44	0.634	22.0	74.5
	115.0	60.4	101.6	26.07	2185	1060	40.81	0.515	17.6	72.9
	115.0	53.3	101.5	26.86	2206	970	34.90	0.403	13.6	71.4
	115.0	45.1	102.1	27.67	2216	854	26.48	0.269	9.1	69.6
	115.0	162.2	56.7	43.27	3871	755	39.21	0.353	6.8	77.8
	115.0	157.8	52.1	43.03	3825	617	39.85	0.293	5.7	77.3
	115.0	153.7	48.3	42.94	3843	486	44.87	0.259	5.0	77.8
	115.0	151.3	46.4	43.16	3862	359	42.52	0.182	3.5	77.8
	115.0	148.8	44.0	43.25	3862	198	37.90	0.089	1.7	77.7

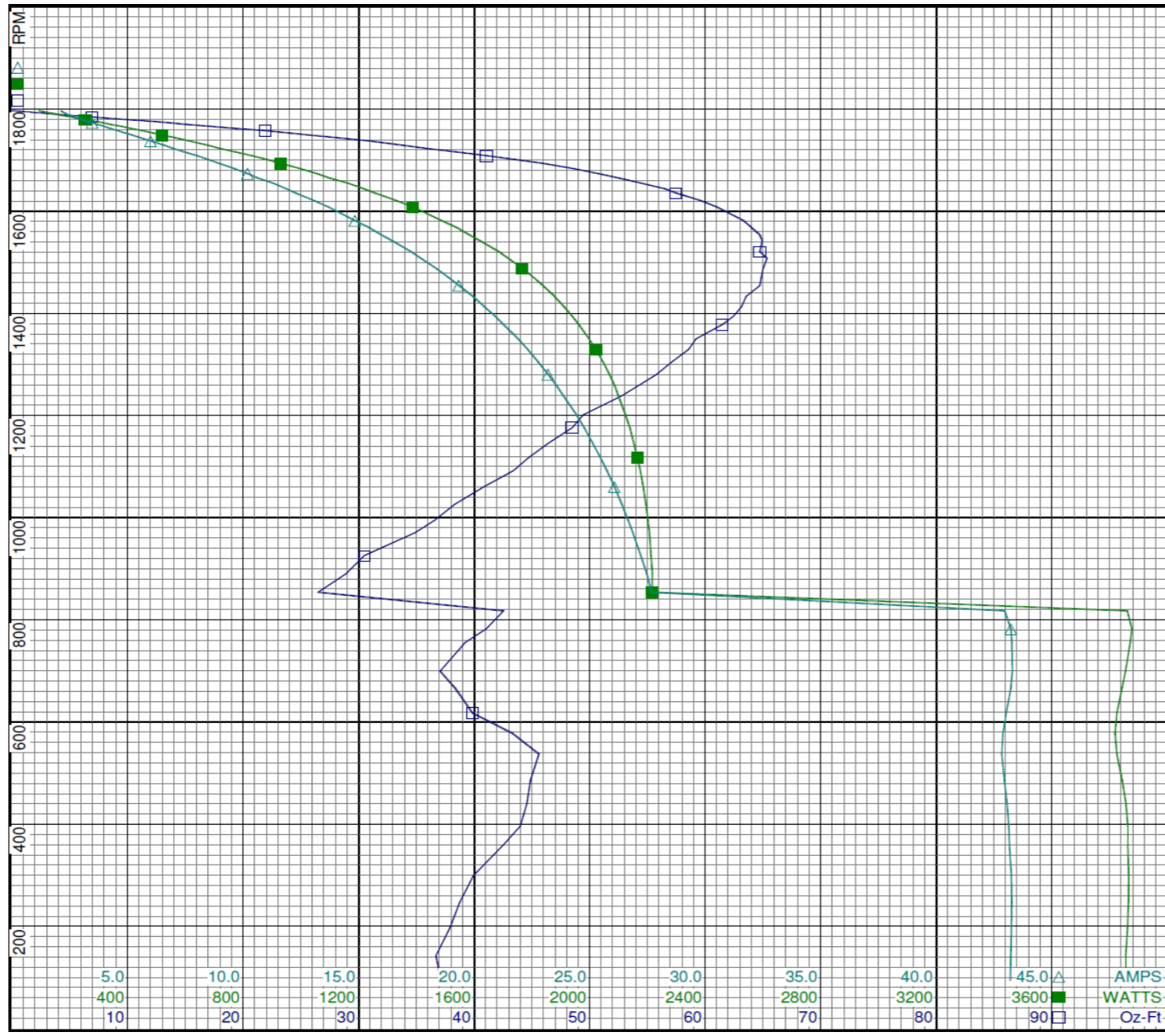
DRAWING NO.	PAGE 3 of 4	REV.
6K872BG		-

Dayton Electric Mfg. Co. Lake Forest, IL 60045 USA

Performance Data



6K872BG REV. -



Dayton[®]

Curve Descriptions:
Motor(1) Test 2 Run 115V 60 Hz 4P

- SPEED vs TORQUE
- SPEED vs WATTS
- △ SPEED vs ILine

Motor Ratings:
(1) R063DRT028801 6K872BG

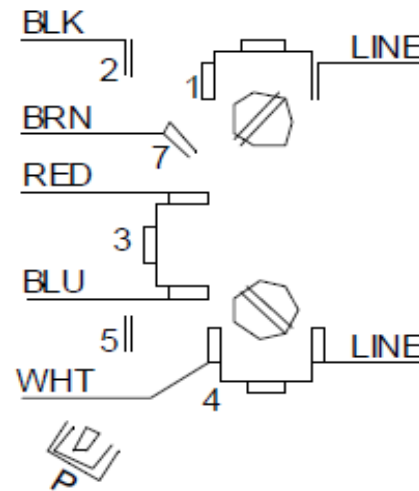
DRAWING NO.	PAGE 4 of 4	REV.
6K872BG		-

Dayton Electric Mfg. Co. Lake Forest, IL 60045 USA

6K872BG

REV.
-

CONNECTIONS 115 VOLT



MOTOR IS CCW ROTATION LEAD END
TO REVERSE ROTATION INTERCHANGE
RED AND BLACK LEADS

DRAWING NO.	PAGE 1 of 1	REV.
6K872BG		-

Dayton®**BELT DRIVE FAN &
BLOWER MOTOR**

HP: 1/2
VOLTS: 115
AMPS: 5.3
RPM: 1725
DUTY: CONT
SF: 1.25
KVA CODE: L
ENCL: ODP

THERMALLY PROTECTED: AUTO

MFG. NO. | PROT. CODE: 00400

MTR REF: R63CXDRT-0288

PH: 1
HZ: 60
FR: 56Z
INS CL: B
AMB: 40 °C
SFA: 6.4

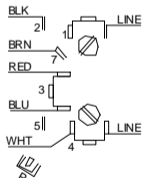
AVG. F.L.
EFF.



Part
No **6K872BG**

**Disconnect Power Before Making Any
Electrical Connections or Changes**

CONNECTIONS
115 VOLT



**MOTOR IS CCW ROTATION LEAD END
TO REVERSE ROTATION INTERCHANGE
RED AND BLACK LEADS**



Mfd for Dayton Electric Mfg. Co., Lake Forest, IL 60045 USA

Made in Mexico