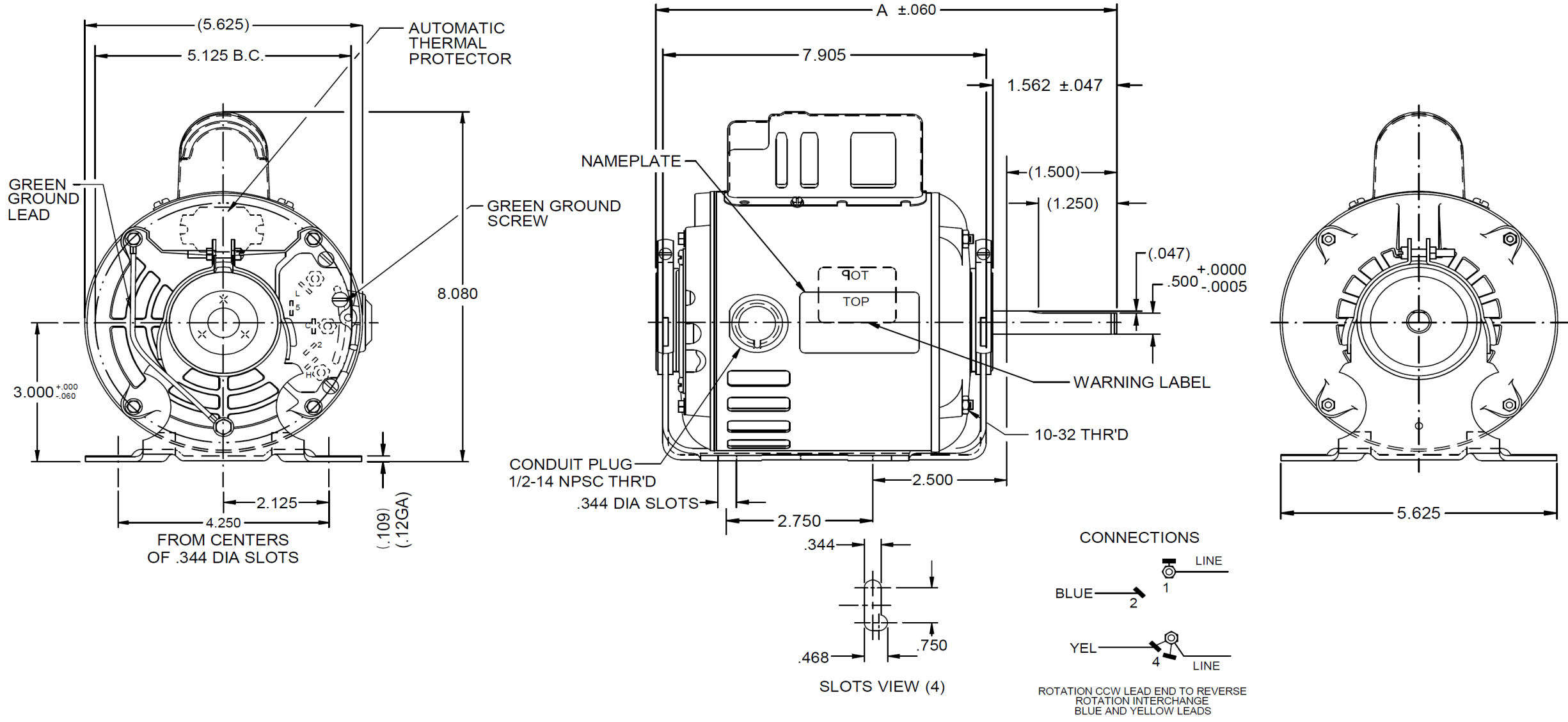


Dimensional Drawing



6K871BH		REV.
		-

VAR	MODEL	CUST. PT. NO.	A	B	C	D	HP	VOLTS	SF	AMPS	HZ	RPM	CONN VOLTS	PROT.	DESCRIPTION / REMARKS
001	R55JXFAP-0329	6K871BH	9.875	-----	-----	-----	1/3	115	1.35	4.1	60	1725	---	AUTO	48, ODP



DRAWING NO.	PAGE 1 of 1	REV.
6K871BH		-

Dayton Electric Mfg. Co. Lake Forest, IL 60045 USA

©2019 W.W. Grainger, Inc. This design may not be reproduced, modified or redistributed without written permission from W.W. Grainger, Inc.

Performance Data



6K871BH

REV.
-

MOTOR PERFORMANCE

HP:	1/3								
Poles:	4								
No. of Speeds:	1								
Volts:	115	115							
HZ:	60	60							
Service Factor:	1.35								
Efficiency:	@ Rated Load	68.4							
Power Factor:	@ Rated Load	78.2							
Amps:	@ No Load								
	@ Rated Load	4.1							
	@ Service Factor	4.9							
	@ Locked Rotor	31.5							
RPM:	@ Rated Load	1740							
Ambient (°C):	40								
Altitude (FASL):									
Torques:	Breakdown	42.4							
	Locked Rotor	24.4							
	Pull-Up	1.5							
	Rated Load	16.2							
	Service Factor	21.9							
Watts:	Rated Load	366							
KVA Code:	M	M							
Temperature Rise:	@ Rated Load	20.9							
	@ Service Factor	28.1							
Thermal Protector:	Trip Temp (°C)	86.9							
Winding Material:	Start (Auxiliary)	Cu							
	Run (Main)	Cu							
Capacitor(s):	Start (MFD / Volts)		NA						
	No. of Start Capacitors								
	Run (MFD / Volts)		5 mFd, 440v						
	No. of Run Capacitors								
LOW SPEED PERFORMANCE DATA:									
HP:									
Poles:									
Volts:									
HZ:									
Efficiency:	@ Rated Load								
Power Factor:	@ Rated Load								
Amps:	@ No Load								
	@ Rated Load								
	@ Service Factor								
	@ Locked Rotor								
Torques:	Bead Down								
	Locked Rotor								
	Pull-Up								
	Rated Load								
	Service Factor								
Watts:	@ Rated Load								
Temperature Rise:	@ Rated Load								
	@ Service Factor								

DRAWING NO. PAGE 1 of 1 REV.
6K871BH -

Dayton Electric Mfg. Co. Lake Forest, IL 60045 USA

Performance Data



6K871BH	REV. -
----------------	-----------

Dayton Manufacturing Company

Motor Description

Model: R055FAP0329 6K871BG
 Motor ID: 1
 Poles: 4
 Volts: 115
 Frequency: 60
 HP: 1/3
 Speed: 1725
 Phase: 1
 Protector: MEJ36AX

Test Conditions

Test Type: Start
 Test Number: 1
 Poles: 4
 Volts: 115
 Hz: 60
 Rotation:
 Special Cond:
 Speed Conn:
 TestBoard: Amps Performance Fixture #4
 Run Cap: 0
 Start Cap: 5μfd
 Environment:
 Tested: 10/22/2015 3:31:10 PM
 Tested By: Sharp, Gerald
 Gear Ratio: 1:1
 Bearing Friction: -0.63 Oz-Ft
 Windage Torque: -2.24 Oz-Ft

Comments: possible chattering switch

Special Points	Vline (V)	Iline (A)	Watts	RPM	Tq (Oz-ft)	HP	Eff (%)	PF (%)
	115.0	31.50	2947	26	24.38	0.007	0.2	81.4
	115.0	31.43	2937	38	24.67	0.011	0.3	81.2
PUT OZ-FT	115.0	21.80	1801	108	1.54	0.002	0.1	71.8
	115.0	22.23	1874	115	3.80	0.005	0.2	73.3
	115.0	31.00	2903	302	24.68	0.089	2.3	81.4
	115.0	27.98	2507	455	18.53	0.100	3.0	77.9
	115.0	29.49	2740	594	26.13	0.185	5.0	80.8
	115.0	28.91	2690	708	26.33	0.222	6.2	80.9
	115.0	29.52	2770	814	32.16	0.312	8.4	81.6
	115.0	29.22	2792	918	36.77	0.402	10.7	83.1
	115.0	28.18	2668	1008	35.80	0.430	12.0	82.3
	115.0	28.00	2695	1087	40.08	0.519	14.4	83.7
	115.0	26.05	2483	1156	36.43	0.501	15.1	82.9
	115.0	25.41	2416	1221	37.16	0.540	16.7	82.7
	115.0	24.89	2400	1289	38.93	0.597	18.6	83.8
	115.0	23.99	2318	1347	38.51	0.617	19.9	84.0
	115.0	23.55	2267	1387	37.29	0.616	20.3	83.7
	115.0	20.44	1931	1432	33.12	0.565	21.8	82.1
	115.0	11.69	1120	1489	40.77	0.722	48.1	83.3
	115.0	10.93	1065	1547	40.35	0.743	52.1	84.7
	115.0	9.99	983	1583	39.21	0.739	56.1	85.6
	115.0	9.17	909	1611	37.58	0.720	59.1	86.1
	115.0	8.37	830	1635	35.21	0.686	61.6	86.2
	115.0	7.53	746	1660	32.62	0.644	64.4	86.1
	115.0	6.73	664	1682	29.49	0.590	66.3	85.8
	115.0	5.93	582	1702	26.16	0.530	67.9	85.4
	115.0	5.08	484	1721	21.72	0.445	68.5	83.0
	115.0	4.38	404	1740	17.78	0.368	68.1	80.1
	115.0	3.65	306	1757	12.64	0.264	64.4	72.9
	115.0	2.99	221	1773	7.85	0.166	55.9	64.2
	115.0	2.48	131	1791	2.59	0.055	31.5	45.9
	115.0	2.34	86	1799	0.00	0.000	0.0	32.1

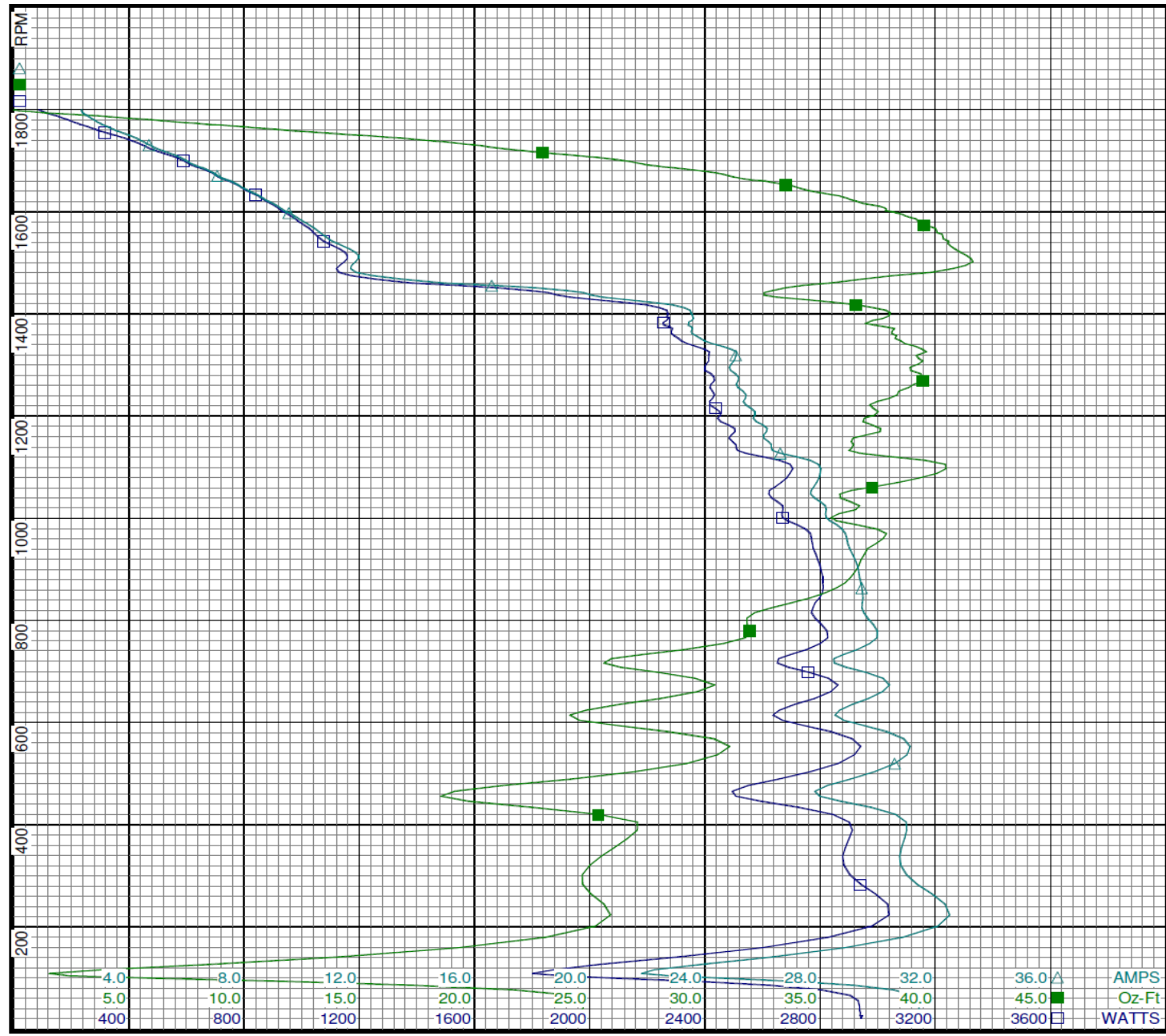
DRAWING NO.	PAGE 1 of 4	REV.
	6K871BH	-

Dayton Electric Mfg. Co. Lake Forest, IL 60045 USA

Performance Data



6K871BH REV.
-



Dayton

Curve Descriptions:
Motor(1) Test 1 Start 115V 60 Hz 4P

- SPEED vs WATTS
- SPEED vs TORQUE
- △ SPEED vs ILine

Motor Ratings:
(1) R055FAP0329 6K871BG

DRAWING NO.	PAGE 2 of 4	REV.
6K871BH		-

Dayton Electric Mfg. Co. Lake Forest, IL 60045 USA

Performance Data



6K871BH REV.
-

Dayton Manufacturing Company

Motor Description

Model: R055FAP0329 6K871BG
 Motor ID: 1
 Poles: 4
 Volts: 115
 Frequency: 60
 HP: 1/3
 Speed: 1725
 Phase: 1
 Protector: MEJ36AX

Test Conditions

Test Type: Run Run Cap: 0
 Test Number: 2 Start Cap: 5µfd
 Poles: 4 Environment:
 Volts: 115 Tested: 10/22/2015 3:30:03 PM
 Hz: 60 Tested By: Sharp, Gerald
 Rotation: Gear Ratio: 1:1
 Special Cond: Bearing Friction: -0.69 Oz-Ft
 Speed Conn: Windage Torque: -2.26 Oz-Ft
 TestBoard: Amtps Performance Fixture #4

Comments: possible chattering switch

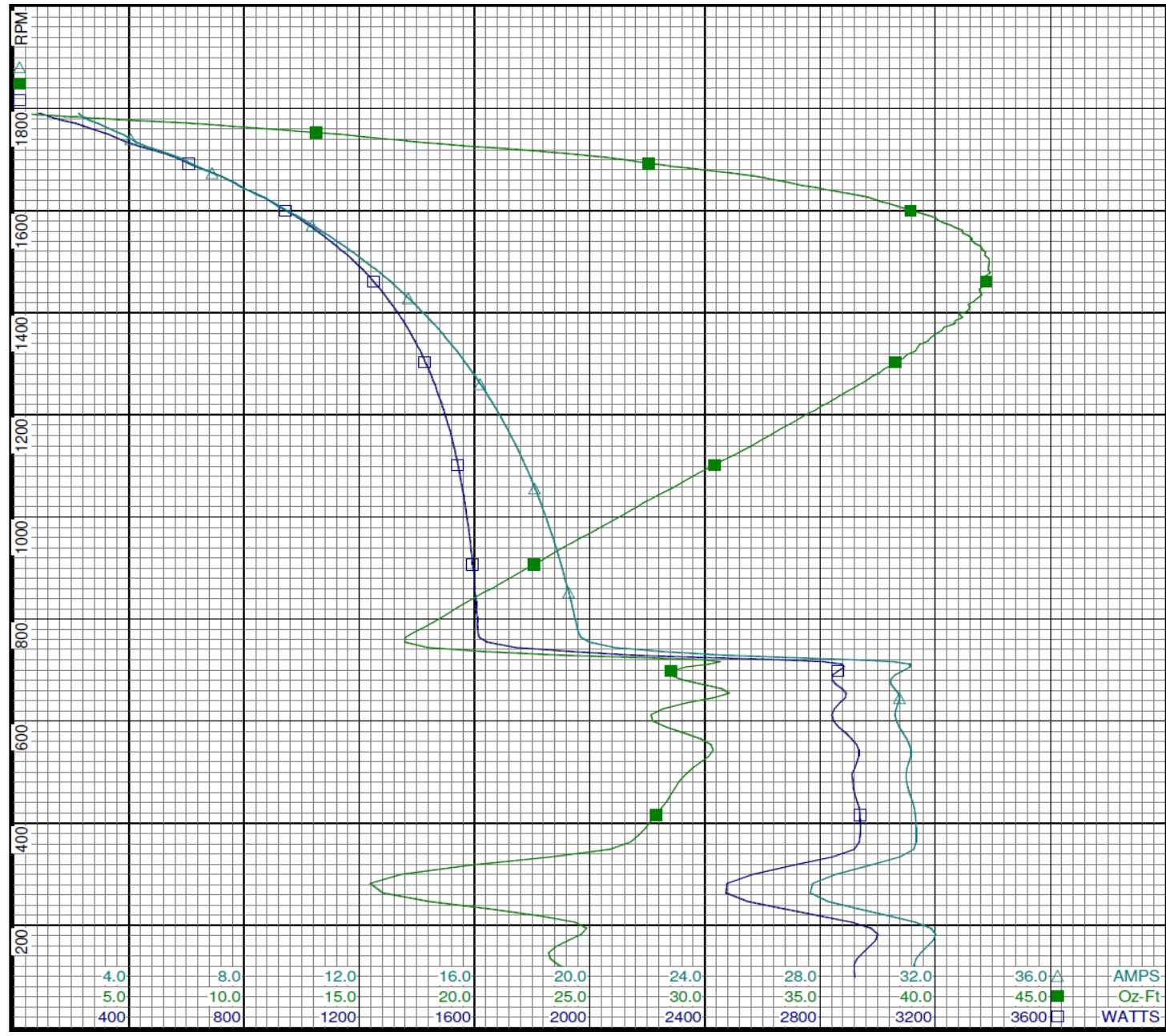
Special Points	Vline (V)	Iline (A)	Watts	RPM	Tq (Oz-ft)	HP	Eff (%)	PF (%)
	115.0	2.25	85	1791	0.00	0.000	0.0	33.1
	115.0	2.50	147	1780	3.88	0.082	41.7	51.1
	115.0	2.97	222	1770	8.23	0.173	58.2	65.0
	115.0	3.53	298	1754	12.41	0.259	64.9	73.3
0.333 HP	115.0	4.05	364	1740	16.07	0.333	68.3	78.1
16.2 OZ-FT	115.0	4.07	366	1740	16.20	0.336	68.4	78.2
	115.0	4.13	375	1738	16.82	0.348	69.2	78.8
1725 RPM	115.0	4.62	440	1725	20.06	0.412	69.8	82.8
	115.0	4.92	477	1720	21.83	0.447	70.0	84.2
21.9 OZ-FT	115.0	4.93	478	1719	21.90	0.448	70.0	84.2
	115.0	5.92	583	1699	26.60	0.538	68.8	85.6
	115.0	6.89	690	1674	31.10	0.620	67.0	87.1
	115.0	7.93	793	1645	34.80	0.682	64.1	86.9
	115.0	9.08	905	1613	38.01	0.730	60.2	86.6
	115.0	10.22	1010	1576	40.35	0.757	55.9	86.0
	115.0	11.34	1110	1535	41.74	0.763	51.3	85.1
	115.0	12.58	1213	1484	42.29	0.747	46.0	83.8
BDT OZ-FT	115.0	13.17	1255	1456	42.40	0.735	43.7	82.9
	115.0	13.48	1280	1440	41.96	0.719	41.9	82.6
	115.0	14.37	1344	1390	41.18	0.681	37.8	81.3
	115.0	15.19	1399	1337	39.31	0.626	33.4	80.1
	115.0	15.93	1446	1282	37.56	0.573	29.6	78.9
	115.0	16.62	1485	1223	35.35	0.515	25.9	77.7
	115.0	17.26	1520	1157	32.75	0.451	22.1	76.6
	115.0	17.87	1547	1087	29.76	0.385	18.6	75.3
	115.0	18.30	1566	1028	27.33	0.334	15.9	74.4
	115.0	18.67	1581	966	24.94	0.287	13.5	73.6
	115.0	19.05	1596	898	22.23	0.238	11.1	72.8
	115.0	19.40	1606	823	19.29	0.189	8.8	72.0
	115.0	20.86	1742	744	17.95	0.159	6.8	72.6
	115.0	30.86	2862	698	28.54	0.237	6.2	80.6
	115.0	30.64	2849	624	28.17	0.209	5.5	80.9
	115.0	31.14	2934	531	30.17	0.191	4.8	81.9
	115.0	31.27	2935	429	28.11	0.144	3.7	81.6
	115.0	29.75	2708	317	19.83	0.075	2.1	79.2
	115.0	31.84	2976	194	24.86	0.057	1.4	81.3
	115.0	31.31	2921	98	24.79	0.029	0.7	81.1

DRAWING NO. PAGE 3 of 4 REV.
 6K871BH -

Performance Data



6K871BH REV. -



Dayton

Curve Descriptions:
Motor(1) Test 2 Run 115V 60 Hz 4P

- SPEED vs WATTS
- SPEED vs TORQUE
- △ SPEED vs ILine

Motor Ratings:
(1) R055FAP0329 6K871BG

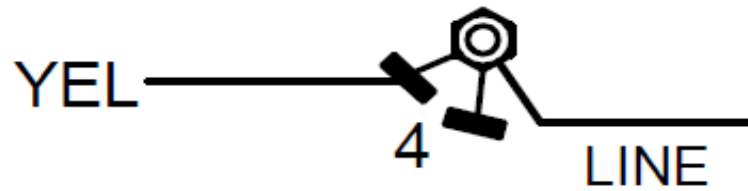
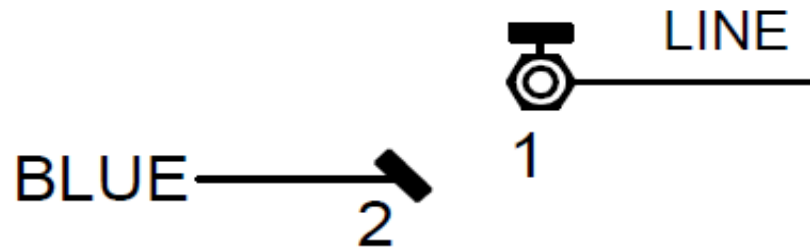
DRAWING NO.	PAGE 4 of 4	REV.
	6K871BH	-

Dayton Electric Mfg. Co. Lake Forest, IL 60045 USA

©2019 W.W. Grainger, Inc. This design may not be reproduced, modified or redistributed without written permission from W.W. Grainger, Inc.

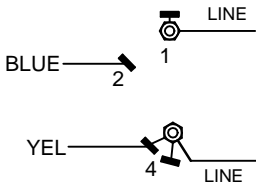
6K871BF	REV. -
---------	-----------

CONNECTIONS



ROTATION CCW LEAD END TO REVERSE
ROTATION INTERCHANGE
BLUE AND YELLOW LEADS

DRAWING NO.	PAGE 1 of 1	REV.
6K871BF		-

Dayton[®]**BELT DRIVE FAN &
BLOWER MOTOR****HP:** 1/3
VOLTS: 115
AMPS: 4.1
RPM: 1725
DUTY: CONT
SF: 1.35
KVA CODE: M
ENCL: ODP**PH:** 1
HZ: 60
FR: 48
INS CL: B
AMB: 40 °C
SFA: 5.3**THERMALLY PROTECTED:** AUTOMFG. NO. PROT. CODE: 04580 AVG. F.L.
EFF.**MTR REF:** R55JXFAP-0329Part
No **6K871BH****Disconnect Power Before Making
Any Electrical Connections or Changes****CONNECTIONS**ROTATION CCW LEAD END TO REVERSE
ROTATION INTERCHANGE
BLUE AND YELLOW LEADS

Mfd for Dayton Electric Mfg. Co., Lake Forest, IL 60045 USA

Made In Mexico