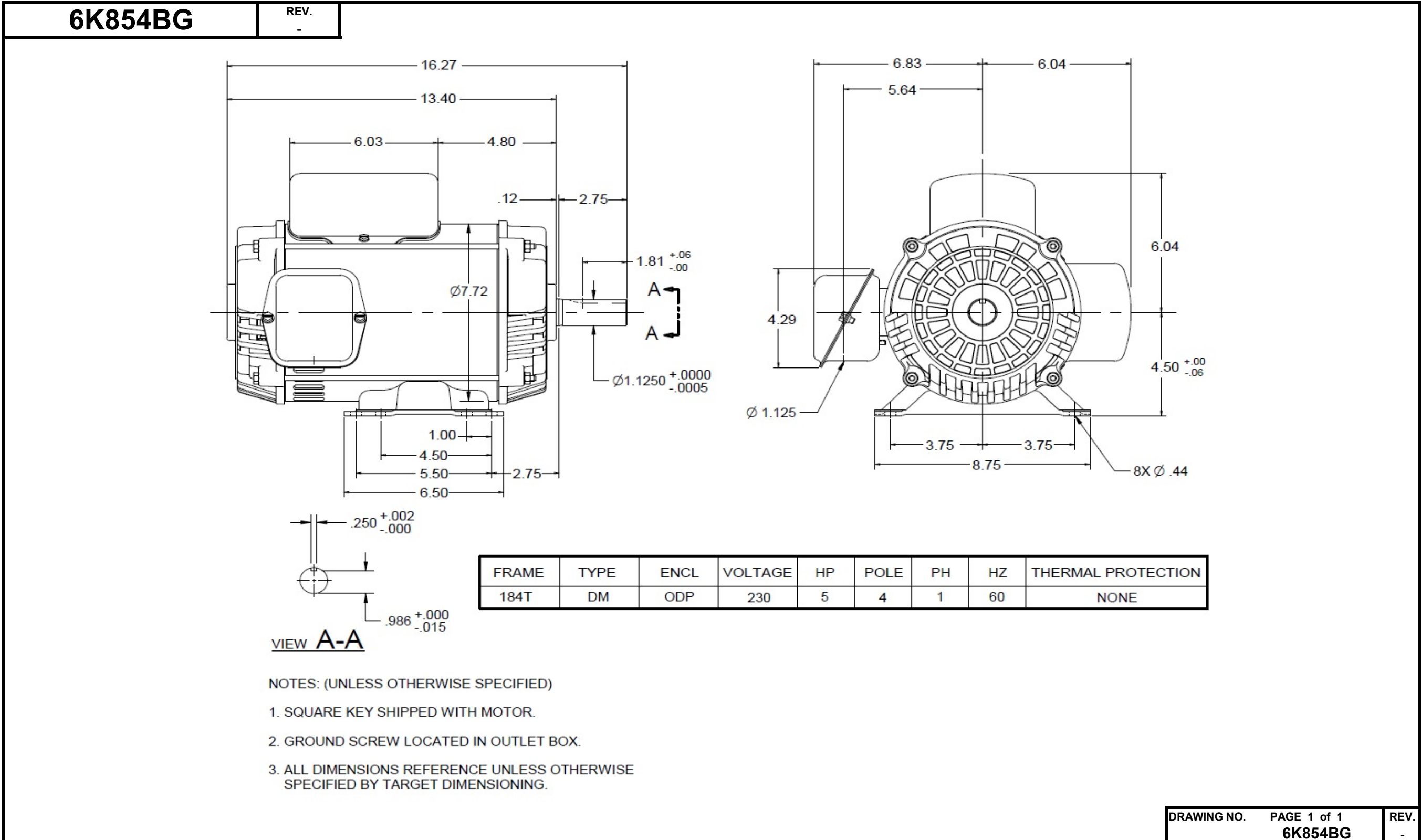


# Dimensional Drawing



**Dayton Electric Mfg. Co. Lake Forest, IL 60045 USA**

# Performance Data



**6K854BG**

REV.  
-

## MOTOR PERFORMANCE

MODEL NO.	SKU NO.	PHASE	TYPE	FRAME
6K854BG	6K854BG	1	DM	184T

ORDER NO.	NA	LINE NO.

HP:	5
POLES:	4
HZ:	60
SERVICE FACTOR:	1.15
DUTY CYCLE:	CONTINUOUS
ALTITUDE (FASL) FT:	3300
MAX AMBIENT:	40°C
ENCLOSURE:	ODP
INSULATION CLASS:	F
VOLTS:	230
EFFICIENCY (%):	
S.F.	84.0
FULL	84.2
3/4	83.1
1/2	78.8
1/4	64.9
POWER FACTOR (%):	
S.F.	96.0
FULL	95.9
3/4	95.3
1/2	93.6
1/4	89.4
AMPS:	
S.F.	23.1
FULL	20.0
3/4	15.4
1/2	11.2
1/4	6.9
NO LOAD	3.2
LOCKED ROTOR AMPS:	125
NEMA CODE LETTER	G
NEMA DESIGN LETTER	L
FULL LOAD RPM	1740
THERMAL PROTECTION	-
TORQUES:	
BREAKDOWN{LB-FT}	34.4
LOCKED ROTOR{LB-FT}	40.8
PULL UP{LB-FT}	33.6
FULL LOAD{LB-FT}	15.1

NEMA Nominal and Guaranteed Efficiencies are up to 3,300 feet above sea level and 25 ° C ambient

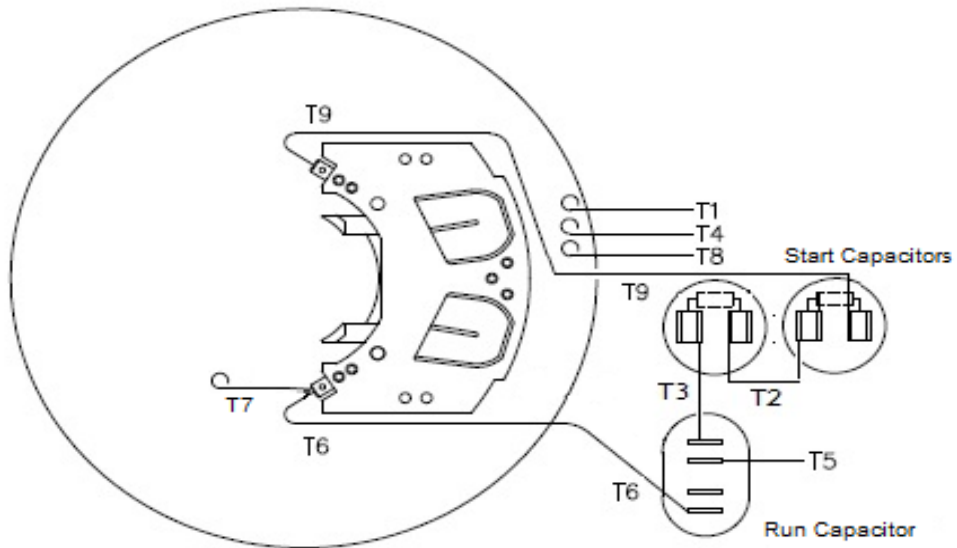
The Above Data Is Typical, Sinewave Power Unless Noted Otherwise

DRAWING NO.	PAGE 1 of 1	REV.
	6K854BG	-

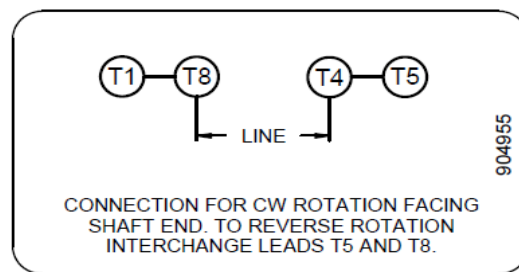
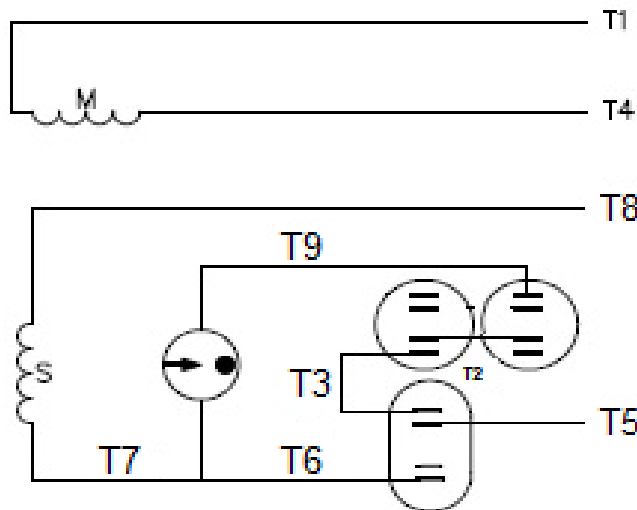
**Dayton Electric Mfg. Co. Lake Forest, IL 60045 USA**

**6K854BG**

REV.  
0



CAPACITORS  
INSIDE BOX



DRAWING NO.	PAGE 1 of 1	REV.
<b>6K854BG</b>		0

**Dayton**<sup>®</sup>Part  
No. **6K854BG****INDUSTRIAL  
MOTOR**SHAFT  
END BRG **6206-2Z-J/C3**OPP  
END BRG **6204-2Z-J/C3**FR **184T**TYPE **DM**ENCL **ODP**PH **1**    MAX  
AMB **40 °C**    ID#INSUL  
CLASS **F**    DUTY **CONT**    WT **86 LB**    BALHP **5**RPM **1740**SF **1.15**HZ **60**VOLTS **230**MAX  
KVARNEMA NOM  
EFFICIENCY **84.2**AMPS **20.0**CODE **G**DES **L**SF AMPS **23.1**PF **95.9**GUARANTEED  
EFFICIENCY

2041394-004    MADE IN MEXICO OF IMPORTED AND DOMESTIC COMPONENTS

Mfd. for Dayton Electric Mfg. Co.  
Lake Forest, IL 60045 USA