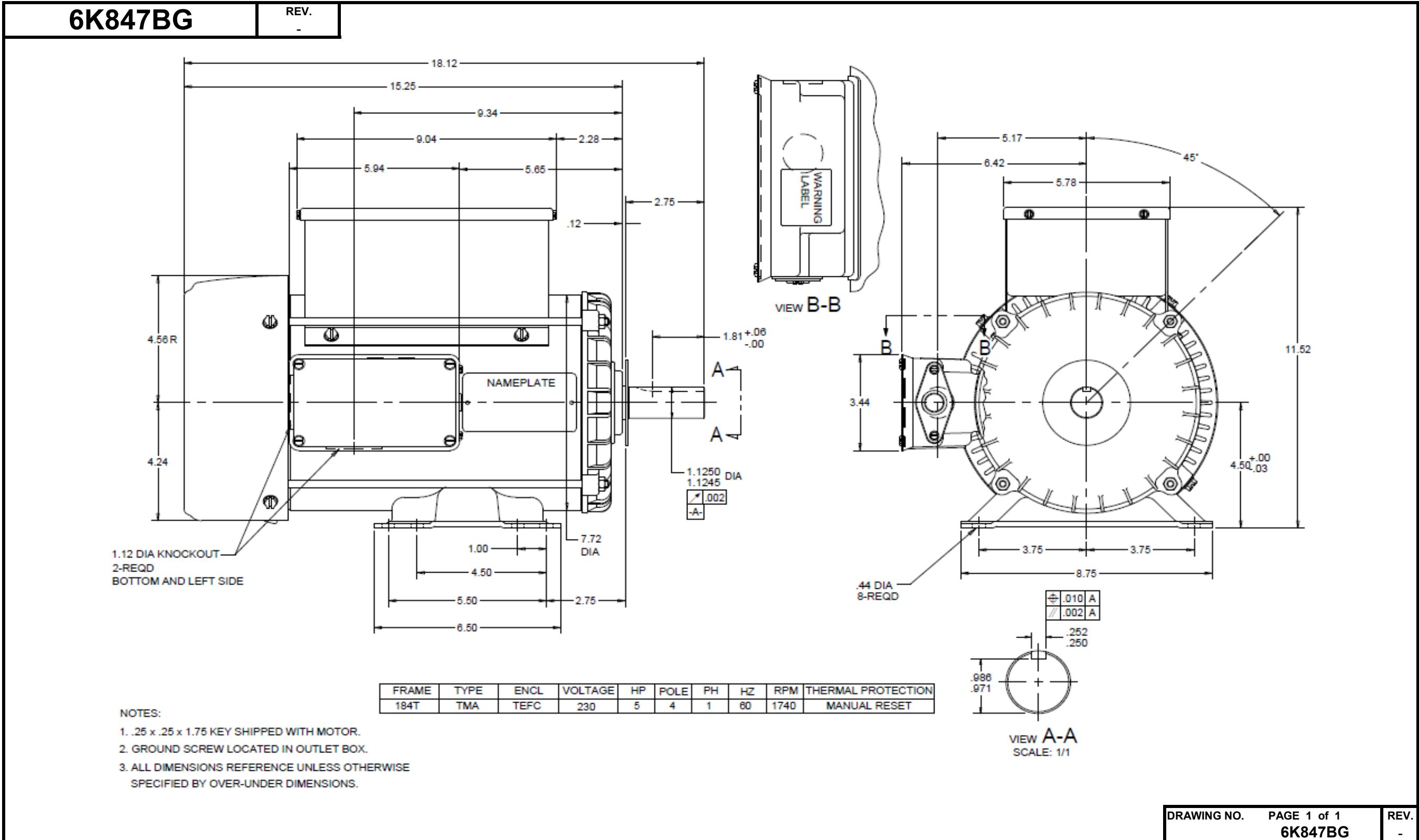


Dimensional Drawing



Dayton Electric Mfg. Co. Lake Forest, IL 60045 USA

Performance Data



6K847BG

REV.
X

MOTOR PERFORMANCE

MODEL NO.	SKU NO.	PHASE	TYPE	FRAME
6K847BG	6K847BG	1	SMA	184T

ORDER NO.	NA	LINE NO.

HP:	5
POLES:	4
HZ:	60
SERVICE FACTOR:	1.00
DUTY CYCLE:	CONTINUOUS
ALTITUDE (FASL) FT:	3300
MAX AMBIENT:	40 °C
ENCLOSURE:	TEFC
INSULATION CLASS:	F
VOLTS:	230
EFFICIENCY (%):	
S.F.	-
FULL	82.7
3/4	84.7
1/2	80.9
1/4	68.7
POWER FACTOR (%):	
S.F.	-
FULL	96.4
3/4	96.5
1/2	94.8
1/4	90.6
AMPS:	
S.F.	-
FULL	22.0
3/4	15.0
1/2	10.8
1/4	6.7
NO LOAD	5.1
LOCKED ROTOR AMPS:	126
NEMA CODE LETTER	G
NEMA DESIGN LETTER	L
FULL LOAD RPM	1740
THERMAL PROTECTION	MANUAL RESET
TORQUES:	
BREAKDOWN{LB-FT}	33.5
LOCKED ROTOR{LB-FT}	40.0
FULL LOAD{LB-FT}	15.0

NEMA Nominal and Guaranteed Efficiencies are up to 3,300 feet above sea level and 25 °C ambient

DRAWING NO.	PAGE 1 of 2	REV.
	6K847BG	X

Dayton Electric Mfg. Co. Lake Forest, IL 60045 USA

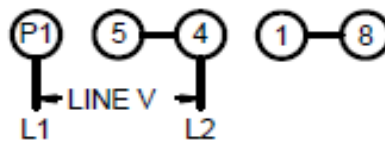
6K847BG

REV.
0

Motor Wiring Diagram

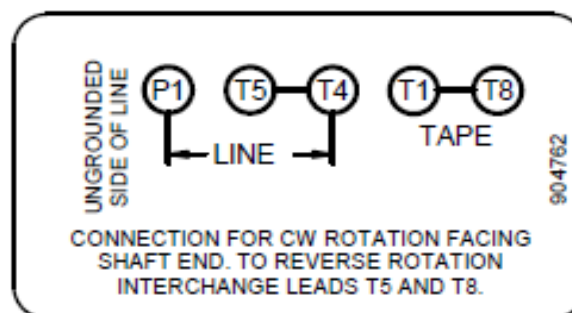
5 Lead, Single Phase, Single Voltage,
Thermally Protected, CW Rotation

**SINGLE PHASE THERMALLY PROTECTED
PROTECTION THERMIQUE INHERENTE
MOTOR LEAD CONNECTIONS**



CONNECTION FOR CW ROTATION
FACING SHAFT END. TO REVERSE ROTATION
INTERCHANGE LEADS 5 AND 8.
MOTOR MUST BE GROUNDED (USE GREEN LEAD IF
SUPPLIED) PER THE NATIONAL ELECTRIC CODE.

912541



Connected for CW Rotation Facing the Shaft End.

To Reverse Direction of Rotation, Interchange Leads 5 & 8.

Each lead may have one or more cables comprising that lead.
In such case, cable will be marked with the appropriate lead number.

DRAWING NO.	PAGE 1 of 1	REV.
6K847BG		0

Dayton**® Farm Duty Motor**

258525

MODEL NO **6K847BG**VOLTS **230**HP **5** RPM **1740**AMPS **22.0**PH **1** FRAME **184T** TYPE **TMA**

SFA

SF **1.0** HZ **60** NEMA DESIGN **L** INSUL CLASS **F**ENCL **TEFC** MAX AMB **40 C** LR KVA CODE **G**THERMALLY PROTECTED **MANUAL RESET**DUTY **CONT** SHAFT END BRG **6206** OPP END BRG **6205**

MOTOR REF

Make sure that voltage, phase and freq of line agrees with values given on this plate. Connect per wiring diagram supplied with motor.

2040632

Manufactured for Dayton Electric Mfg. Co., Lake Forest, IL 60045 U.S.A.

Made in Mexico