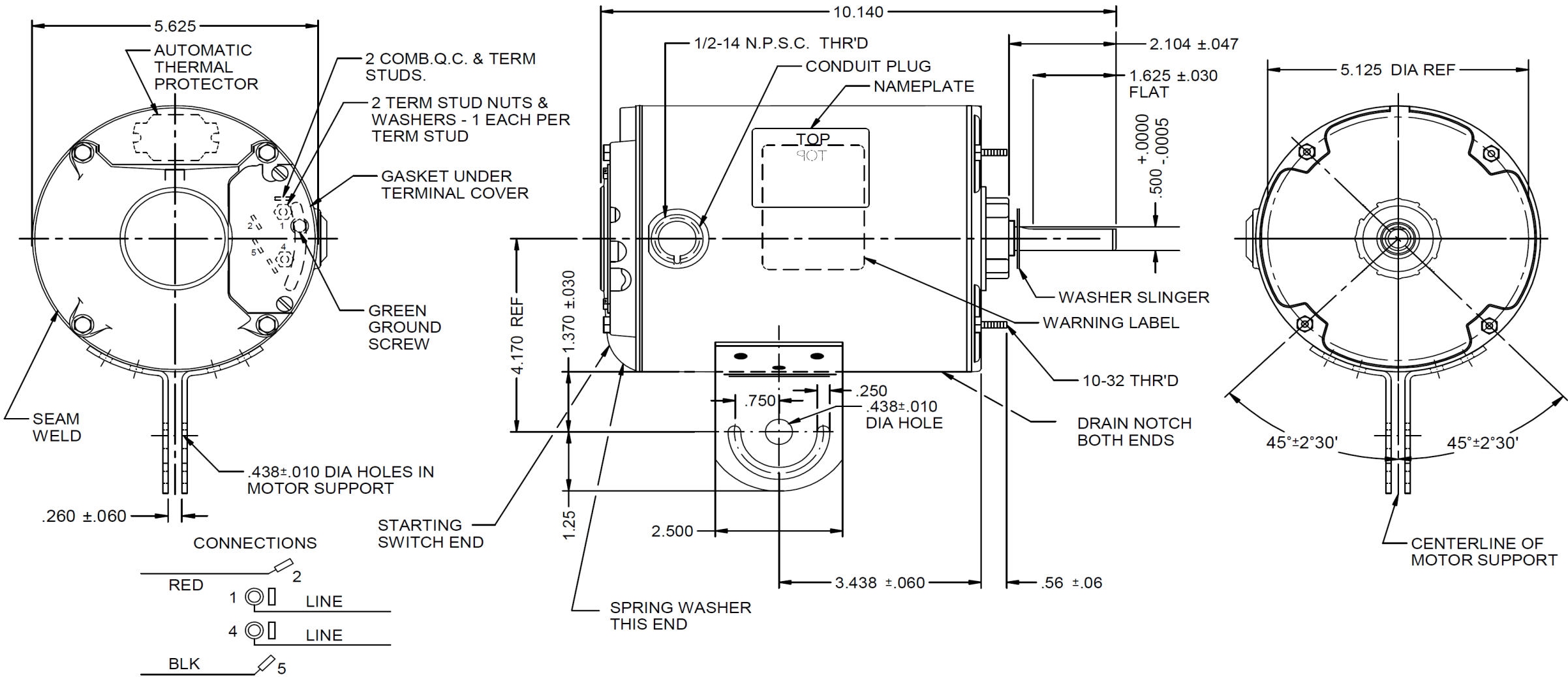


# Dimensional Drawing



**6K807BG**      REV. -

MODEL	REF	CUSTOMER	HP	VOLTS	AMPS	HZ	RPM	ROTATION	CUSTOMER PT. NO.	DESCRIPTION / REMARKS
S55KZHAK-8470	E41083	GRAINGER	1/3	115	4.8	60	1725	CCW LEAD END REV	6K807BG	48YZ, TEAO



LINE CONN UNGROUNDED-1; GROUNDED-4.  
 ROT C.CW. SW. END  
 TO REVERSE ROTATION INTERCHANGE  
 RED & BLK LEAD.

DRAWING NO. PAGE 1 of 1 REV.  
 6K807BG -

©2019 W.W. Grainger, Inc. This design may not be reproduced, modified or redistributed without written permission from W.W. Grainger, Inc.

# Performance Data



**6K807BG**

REV.

-

## SPLIT-PHASE & CAPACITOR START MOTOR PERFORMANCE

<b>HP:</b>	1/3							
<b>Poles:</b>	4							
<b>Ambient (°C)</b>	40							
<b>Altitude (FASL):</b>								
<b>No. of Speeds:</b>	1							
<b>Volts:</b>	115	<b>115</b>						
<b>HZ:</b>	60	<b>60</b>						
<b>Service Factor:</b>	1							
<b>Efficiency:</b>	@ Rated Load	66.8						
<b>Power Factor:</b>	@ Rated Load	75.7						
<b>Amps:</b>	@ No Load							
	@ Rated Load	4.3						
	@ Service Factor	4.3						
	@ Locked Rotor	24.8						
<b>RPM:</b>	@ Rated Load	1693						
<b>Torques:</b> Oz.Ft. / Lb.In. (Circle One)	Breakdown	27.26						
	Locked Rotor	18.3						
	Pull-Up	14.63						
	Rated Load	16.5						
	Service Factor	16.5						
<b>Watts:</b>	@ Rated Load	375						
<b>KVA Code:</b>		K						
<b>Temperature Rise:</b>	@ Rated Load	91.5						
	@ Service Factor	N/A						
<b>Thermal Protector:</b>	Trip Temp (°C)	N/A						
<b>Winding Material:</b>	Start (Auxiliary)						AI	
	Run (Main)						AI	
<b>Capacitor(s):</b>	Start Micro-Farads Rating						N/A	
	Start Voltage Rating							
	No. of Start Capacitors						0	
	Run Micro-Farads Rating						N/A	
	Run Voltage Rating							
	No. of Run Capacitors							0

### LOW SPEED PERFORMANCE DATA:

<b>HP:</b>								
<b>Poles:</b>								
<b>Volts:</b>								
<b>HZ:</b>								
<b>Efficiency:</b>	@ Rated Load							
<b>Power Factor:</b>	@ Rated Load							
<b>Amps:</b>	@ No Load							
	@ Rated Load							
	@ Service Factor							
	@ Locked Rotor							
<b>Torques:</b> Oz.Ft. / Lb.In. (Circle One)	Breakdown							
	Locked Rotor							
	Pull-Up							
	Rated Load							
	Service Factor							
<b>Watts:</b>	@ Rated Load							
<b>Temperature Rise:</b>	@ Rated Load							
	@ Service Factor							

DRAWING NO. PAGE 1 of 1

REV.

**6K807BG**

-

**Dayton Electric Mfg. Co. Lake Forest, IL 60045 USA**

# Performance Data



<b>6K807BG</b>	REV. -
----------------	-----------

## Dayton Manufacturing Company

### Motor Description

Model: S055HAK847001 6K807  
 Motor ID: 1/1  
 Poles: 4  
 Volts: 115  
 Frequency: 60  
 HP: 1/3  
 Speed: 1725  
 Phase: 1  
 Protector: MEJ36BY

### Test Conditions

Test Type: Start  
 Test Number: 8  
 Poles: 4  
 Volts: 115  
 Hz: 60  
 Rotation:  
 Special Cond:  
 Speed Conn:  
 TestBoard: CMD InLine Three Phase Fixture #1  
 Run Cap: 0  
 Start Cap: 0µfd  
 Environment: 24.2 Deg C 68 % RH 963 hPa  
 Tested: 6/19/2015 5:17:49 PM  
 Tested By: Bribiesca, Griselda  
 Gear Ratio: 1:1  
 Bearing Friction: -0.37 Oz-Ft  
 Windage Torque: -1.19 Oz-Ft

Special Points	Vline(V)	Vaux(V)	Vcap(V)	Iline(A)	Watts	RPM	Tq(Oz-ft)	HP	Eff(%)	PF(%)
	115.0	2.2	2.9	24.83	2340	32	18.12	0.007	0.2	81.9
	115.0	2.2	2.8	24.67	2325	194	16.35	0.038	1.2	81.9
<b>PUT OZ-FT</b>	<b>115.0</b>	<b>2.2</b>	<b>2.8</b>	<b>24.55</b>	<b>2315</b>	<b>296</b>	<b>14.63</b>	<b>0.051</b>	<b>1.7</b>	<b>82.0</b>
	115.0	2.2	2.8	24.51	2311	345	15.38	0.063	2.0	82.0
	115.0	2.2	2.7	24.27	2295	486	15.80	0.091	3.0	82.2
	115.0	2.2	2.6	24.00	2275	618	18.54	0.136	4.5	82.4
	115.0	2.2	2.6	23.70	2256	738	20.18	0.177	5.9	82.8
	115.0	2.2	2.5	23.29	2227	855	22.73	0.231	7.8	83.2
	115.0	2.2	2.4	22.83	2194	960	24.92	0.285	9.7	83.6
	115.0	2.2	2.4	22.33	2155	1058	27.26	0.343	11.9	83.9
	115.0	2.2	2.3	21.79	2113	1148	27.43	0.375	13.2	84.3
	115.0	2.2	2.3	21.25	2068	1228	28.13	0.411	14.8	84.6
	115.0	2.2	2.2	20.63	2015	1304	28.72	0.446	16.5	84.9
	115.0	2.2	2.1	20.04	1962	1373	28.25	0.462	17.5	85.1
	115.0	2.2	2.1	15.93	1451	1433	23.72	0.405	20.8	79.2
	115.0	2.2	2.0	8.19	756	1489	24.43	0.433	42.7	80.3
	115.0	2.2	2.0	7.44	693	1537	23.95	0.438	47.1	81.1
	115.0	2.2	1.9	6.77	634	1582	22.30	0.420	49.4	81.5
	115.0	2.2	1.9	5.86	545	1621	20.65	0.399	54.6	80.8
	115.0	2.2	0.0	5.13	470	1655	19.50	0.384	61.0	79.6
	115.0	2.2	0.0	4.42	392	1684	16.65	0.334	63.4	77.1
	115.0	2.2	0.0	3.88	329	1708	13.45	0.274	61.9	73.8
	115.0	2.2	0.0	3.37	264	1730	10.73	0.221	62.4	68.3
	115.0	2.2	0.0	2.99	211	1747	8.49	0.177	62.3	61.5
	115.0	2.2	0.0	2.70	165	1762	6.06	0.127	57.5	53.1
	115.0	2.2	0.0	2.50	123	1774	3.96	0.084	50.9	42.6
	115.0	2.2	0.0	2.39	95	1782	2.02	0.043	33.7	34.6
	115.0	2.2	0.0	2.32	72	1789	0.61	0.013	13.3	27.0
	115.0	2.2	0.0	2.32	64	1791	0.00	0.000	0.0	24.0

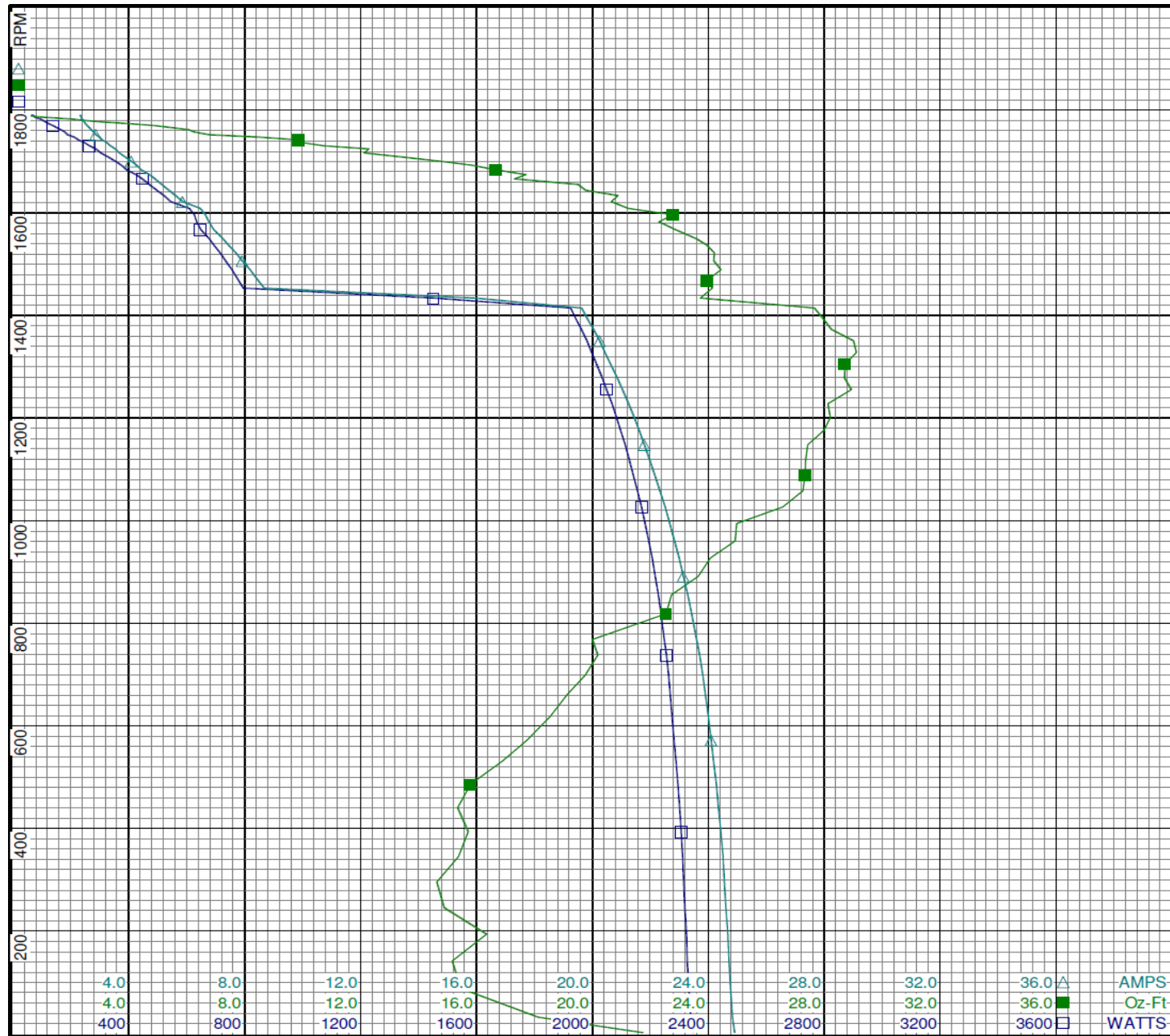
DRAWING NO.	PAGE 1 of 4	REV.
<b>6K807BG</b>		-

**Dayton Electric Mfg. Co. Lake Forest, IL 60045 USA**

# Performance Data



**6K807BG**      REV. -



Curve Descriptions:  
 Motor(1) Test 8 Start 115V 60 Hz 4P

- SPEED vs WATTS
- SPEED vs TORQUE
- △ SPEED vs ILine

Motor Ratings:  
 (1) S055HAK847001 6K807

DRAWING NO.	PAGE 2 of 4	REV.
6K807BG		-

**Dayton Electric Mfg. Co. Lake Forest, IL 60045 USA**

# Performance Data



<b>6K807BG</b>	REV. -
----------------	-----------

## Dayton Manufacturing Company

### Motor Description

Model: S055HAK847001 6K807  
 Motor ID: 1/1  
 Poles: 4  
 Volts: 115  
 Frequency: 60  
 HP: 1/3  
 Speed: 1725  
 Phase: 1  
 Protector: MEJ36BY

### Test Conditions

Test Type: Run  
 Test Number: 7  
 Poles: 4  
 Volts: 115  
 Hz: 60  
 Rotation:  
 Special Cond:  
 Speed Conn:  
 TestBoard: CMD InLine Three Phase Fixture #1  
 Run Cap: 0  
 Start Cap: 0µfd  
 Environment: 24.2 Deg C 68 % RH 963 hPa  
 Tested: 6/19/2015 5:16:53 PM  
 Tested By: Bribiesca, Griselda  
 Gear Ratio: 1:1  
 Bearing Friction: -0.39 Oz-Ft  
 Windage Torque: -1.45 Oz-Ft

Special Points	Vline(V)	Vaux(V)	Vcap(V)	Iline(A)	Watts	RPM	Tq(Oz-ft)	HP	Eff(%)	PF(%)
	115.0	2.2	2.5	2.33	60	1790	0.00	0.000	0.0	22.4
	115.0	2.2	2.4	2.39	83	1784	2.07	0.044	39.7	30.0
	115.0	2.2	2.2	2.48	109	1778	2.60	0.055	37.6	38.3
	115.0	2.2	2.1	2.64	146	1766	4.87	0.102	52.2	48.2
	115.0	2.2	2.0	2.90	195	1752	7.57	0.158	60.4	58.4
	115.0	2.2	1.9	3.27	250	1736	10.57	0.218	65.3	66.3
<b>1725 RPM</b>	<b>115.0</b>	<b>2.2</b>	<b>1.8</b>	<b>3.51</b>	<b>282</b>	<b>1725</b>	<b>12.40</b>	<b>0.255</b>	<b>67.5</b>	<b>69.8</b>
	115.0	2.2	0.0	3.72	310	1716	13.54	0.277	66.6	72.3
<b>16.2 OZ-FT</b>	<b>115.0</b>	<b>2.2</b>	<b>0.0</b>	<b>4.20</b>	<b>366</b>	<b>1697</b>	<b>16.20</b>	<b>0.327</b>	<b>66.8</b>	<b>75.7</b>
<b>0.333 HP</b>	<b>115.0</b>	<b>2.2</b>	<b>0.0</b>	<b>4.28</b>	<b>375</b>	<b>1693</b>	<b>16.52</b>	<b>0.333</b>	<b>66.2</b>	<b>76.2</b>
	115.0	2.2	0.0	4.30	378	1692	16.60	0.334	66.1	76.4
	115.0	2.2	0.0	5.00	456	1664	19.70	0.390	63.9	79.3
	115.0	2.2	0.0	5.73	533	1632	22.18	0.431	60.4	80.8
	115.0	2.2	0.0	6.52	609	1594	25.02	0.475	58.1	81.2
	115.0	2.2	0.0	7.30	682	1553	25.84	0.478	52.3	81.2
	115.0	2.2	0.0	8.09	750	1506	26.70	0.479	47.6	80.6
<b>BDT OZ-FT</b>	<b>115.0</b>	<b>2.2</b>	<b>0.0</b>	<b>8.32</b>	<b>768</b>	<b>1489</b>	<b>27.26</b>	<b>0.483</b>	<b>46.9</b>	<b>80.3</b>
	115.0	2.2	0.0	8.88	811	1450	26.98	0.466	42.8	79.5
	115.0	2.2	0.0	9.57	862	1393	26.50	0.439	38.0	78.4
	115.0	2.2	0.0	10.24	907	1327	25.67	0.406	33.4	77.0
	115.0	2.2	0.0	10.84	942	1255	23.84	0.356	28.2	75.6
	115.0	2.2	0.0	11.38	970	1175	21.41	0.300	23.0	74.2
	115.0	2.2	0.0	11.87	993	1089	18.77	0.243	18.3	72.7
	115.0	2.2	0.0	12.29	1010	994	16.21	0.192	14.2	71.4
	115.0	2.2	0.0	12.68	1022	889	13.07	0.138	10.1	70.1
	115.0	2.2	0.0	12.97	1029	781	10.55	0.098	7.1	69.0
	115.0	2.2	0.0	24.30	2298	684	21.36	0.174	5.6	82.2
	115.0	2.2	0.0	24.40	2301	533	21.64	0.137	4.4	82.0
	115.0	2.1	0.0	24.40	2299	393	19.95	0.093	3.0	81.9
	115.0	2.1	0.0	24.38	2293	246	18.74	0.055	1.8	81.8
	115.0	2.1	0.0	24.28	2284	94	18.57	0.021	0.7	81.8

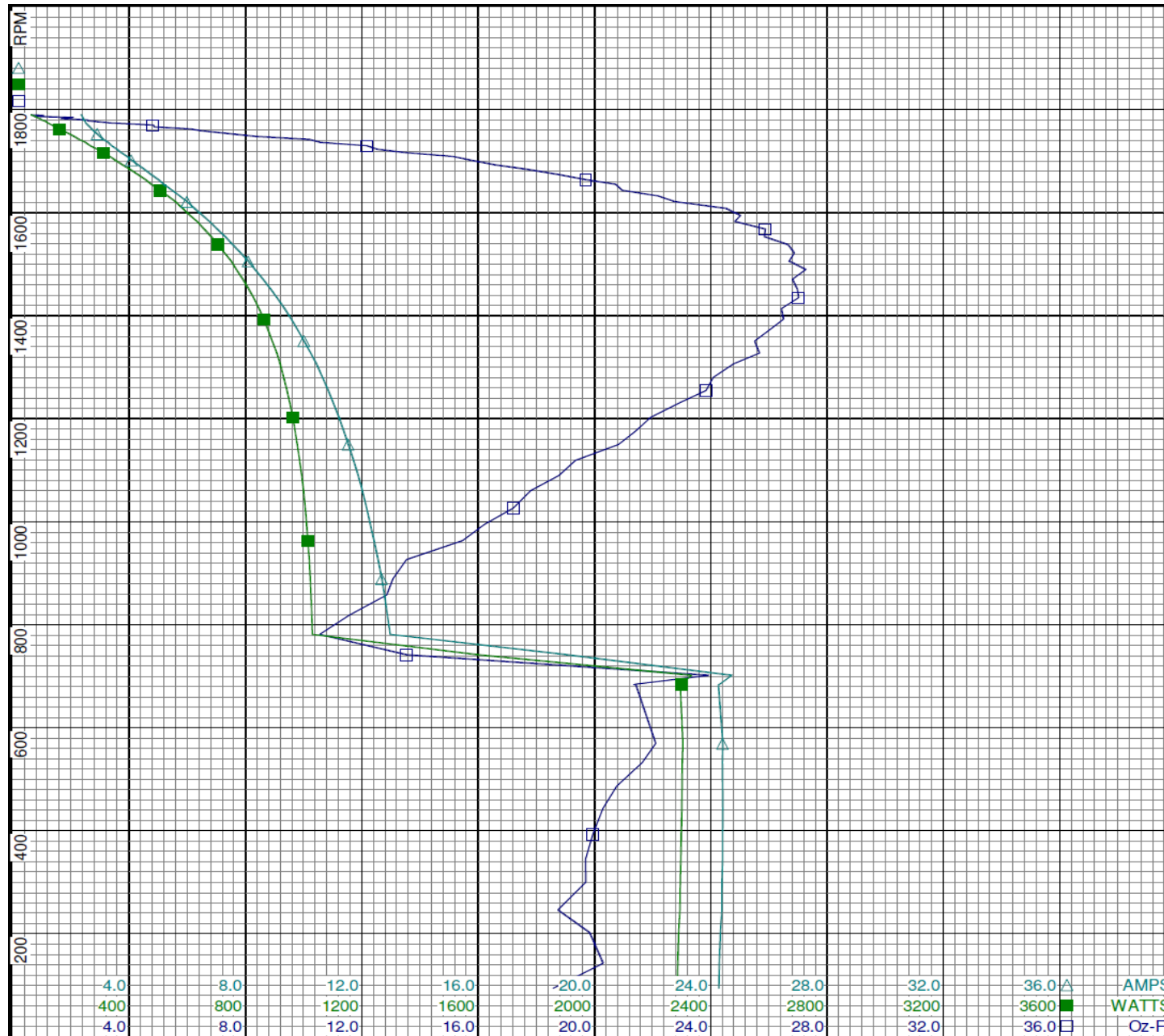
DRAWING NO.	PAGE 3 of 4	REV.
<b>6K807BG</b>		-



# Performance Data



**6K807BG**      REV. -



**Dayton**

Curve Descriptions:  
Motor(1) Test 7 Run 115V 60 Hz 4P

- SPEED vs TORQUE
- SPEED vs WATTS
- △ SPEED vs ILine

---

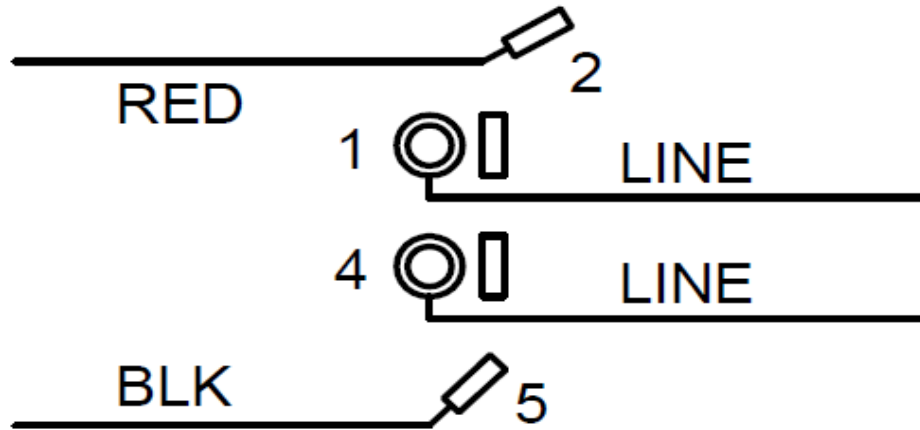
Motor Ratings:  
(1) S055HAK847001 6K807

DRAWING NO.	PAGE 4 of 4	REV.
<b>6K807BG</b>		-

**Dayton Electric Mfg. Co. Lake Forest, IL 60045 USA**

6K807BG	REV. -
---------	-----------

## CONNECTIONS



LINE CONN UNGROUNDED-1; GROUNDED-4.  
ROT C.CW. SW. END  
TO REVERSE ROTATION INTERCHANGE  
RED & BLK LEAD.

DRAWING NO.	PAGE 1 of 1	REV.
6K807BG		-

**Dayton**<sup>®</sup>

# PEDESTAL FAN MOTOR

HP: 1/3

VOLTS: 115

AMPS: 4.8

RPM: 1725

DUTY: CONT

SF: 1.0

KVA CODE: M

ENCL: TEAO

THERMALLY PROTECTED: AUTO

MFG. NO.   PROT. CODE  04290  **AVG. F.L.  
EFF.**

MTR REF: S55KZHAK-8470

Part  
No 6K807BG

PH: 1

HZ: 60

FR: 48YZ

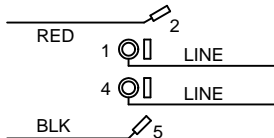
INS CL: B

AMB: 40 °C

SFA: 4.8

Disconnect Power Before Making Any Electrical  
Connections or Changes

## CONNECTIONS

LINE CONN UNGROUNDED-1; GROUNDED-4.  
ROT C.W. SW. END  
TO REVERSE ROTATION INTERCHANGE  
RED & BLK LEAD.

E37403



258501

US PAT 7709992

Mfd for Dayton Electric Mfg. Co., Lake Forest, IL 60045 USA

Made in Mexico