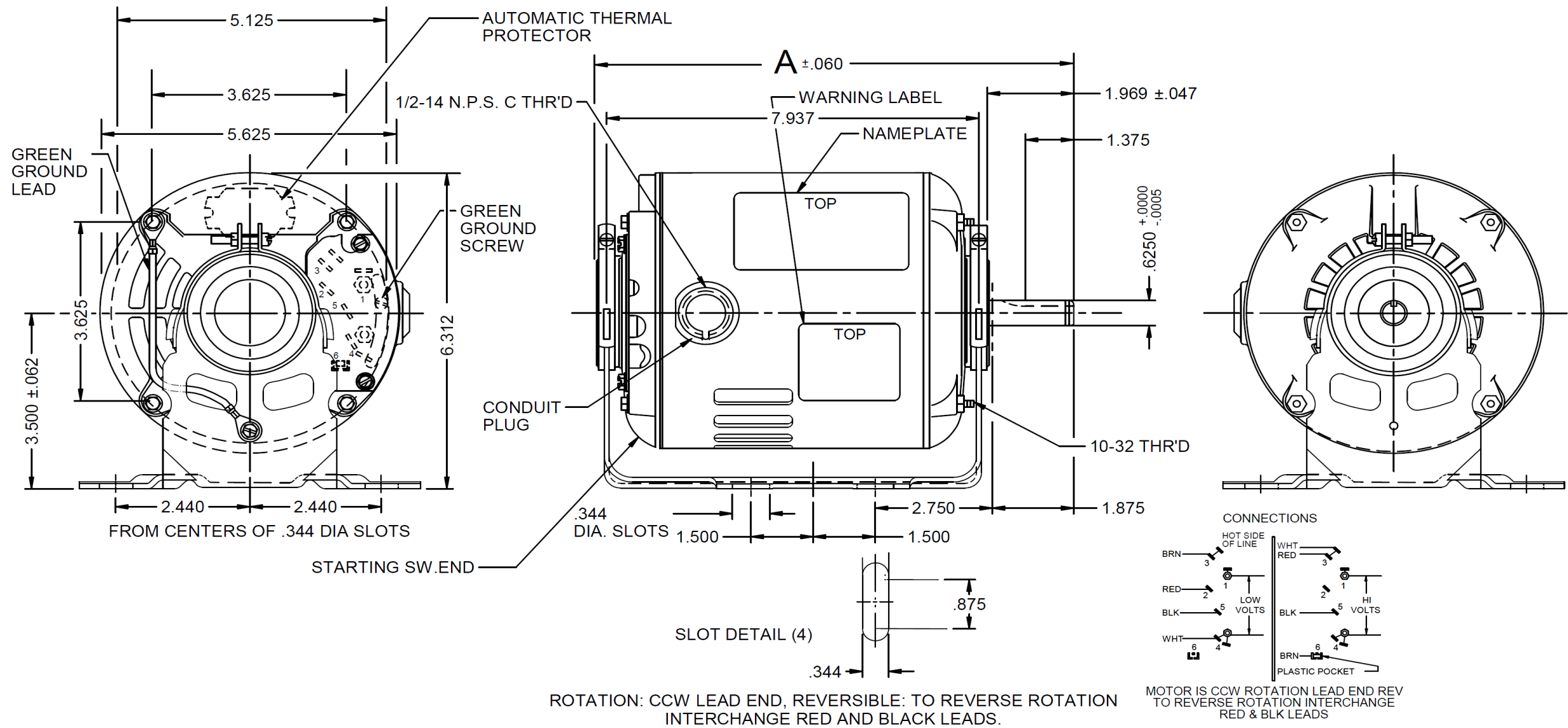


# Dimensional Drawing



**6K729BG**      REV. -

VAR	MODEL	CUST. PT. NO.	A	B	C	D	HP	VOLTS	SF	AMPS	HZ	RPM	CONN VOLTS	PROT.	DESCRIPTION / REMARKS
001	S55JXREY-8492	6K729BG	10.29	-----	-----	-----	1/2	115/208-230	1.25	8.6/4.2-4.3	60	1725	230	AUTO	56, ODP



DRAWING NO. PAGE 1 of 1 REV. -  
6K729BG

Dayton Electric Mfg. Co. Lake Forest, IL 60045 USA

# Performance Data



**6K729BG**

REV.

-

## SPLIT-PHASE & CAPACITOR START MOTOR PERFORMANCE

<b>HP:</b>	1/2						
<b>Poles:</b>	4						
<b>Ambient (°C)</b>	40						
<b>Altitude (FASL):</b>							
<b>No. of Speeds:</b>	1						
<b>Volts:</b>	115/208-230	<b>115</b>	<b>208</b>	<b>230</b>			
<b>HZ:</b>	60	<b>60</b>	<b>60</b>	<b>60</b>			
<b>Service Factor:</b>	1.25						
<b>Efficiency:</b>	@ Rated Load	65.3	66.6	66.5			
<b>Power Factor:</b>	@ Rated Load	66.7	72.8	66.3			
<b>Amps:</b>	@ No Load						
	@ Rated Load	7.5	3.7	3.7			
	@ Service Factor	8.4	3.7	4.2			
	@ Locked Rotor				32.8		
<b>RPM:</b>	@ Rated Load				1735		
<b>Torques:</b> Oz.Ft. / Lb.In. (Circle One)	Breakdown	57.8	48.8	61.4			
	Locked Rotor	27.9	19.1	28.6			
	Pull-Up	24.7	18.5	23.1			
	Rated Load	24.3	24.3	24.3			
	Service Factor	30.5	24.3	30.5			
<b>Watts:</b>	@ Rated Load	573	558	564			
<b>KVA Code:</b>		J	J	L			
<b>Temperature Rise:</b>	@ Rated Load	42.4	41.4	41.9			
	@ Service Factor	53.1	41.4	51.6			
<b>Thermal Protector:</b>	Trip Temp (°C)	124.4	127.6	126.5			
<b>Winding Material:</b>	Start (Auxiliary)				Cu		
	Run (Main)				Cu		
<b>Capacitor(s):</b>	Start Micro-Farads Rating				N/A		
	Start Voltage Rating						
	No. of Start Capacitors				0		
	Run Micro-Farads Rating				N/A		
	Run Voltage Rating						
	No. of Run Capacitors				0		

### LOW SPEED PERFORMANCE DATA:

<b>HP:</b>							
<b>Poles:</b>							
<b>Volts:</b>							
<b>HZ:</b>							
<b>Efficiency:</b>	@ Rated Load						
<b>Power Factor:</b>	@ Rated Load						
<b>Amps:</b>	@ No Load						
	@ Rated Load						
	@ Service Factor						
	@ Locked Rotor						
<b>Torques:</b> Oz.Ft. / Lb.In. (Circle One)	Breakdown						
	Locked Rotor						
	Pull-Up						
	Rated Load						
	Service Factor						
<b>Watts:</b>	@ Rated Load						
<b>Temperature Rise:</b>	@ Rated Load						
	@ Service Factor						

DRAWING NO. PAGE 1 of 1

REV.

**6K729BG**

-

**Dayton Electric Mfg. Co. Lake Forest, IL 60045 USA**

# Performance Data



<b>6K729BG</b>	REV. -
----------------	-----------

## Dayton Manufacturing Company

### Motor Description

Model: S055REY8492 6K729BG  
 Motor ID: 1  
 Poles: 4  
 Volts: 115/208-230  
 Frequency: 60/ 50  
 HP: 1/2  
 Speed: 1725  
 Phase: 1  
 Protector: MEJ36AX

### Test Conditions

Test Type: Start  
 Test Number: 1  
 Poles: 4  
 Volts: 115  
 Hz: 60  
 Rotation: CCW  
 Special Cond:  
 Speed Conn:  
 TestBoard: Amtps Performance Fixture #3  
 Run Cap: 0  
 Start Cap: 0µfd  
 Environment:  
 Tested: 3/31/2010 12:32:04 PM  
 Tested By: Sharp, Gerald  
 Gear Ratio: 1:1  
 Bearing Friction: -0.49 Oz-Ft  
 Windage Torque: -1.69 Oz-Ft

Special Points	Vline(V)	Iline(A)	Imain(A)	Iaux(A)	Watts	RPM	Tq(Oz-ft)	HP	Eff(%)	PF(%)
	115.0	40.97	32.82	8.725	3422	3	27.94	0.001	0.0	72.6
	115.0	40.99	32.87	8.697	3425	17	26.20	0.005	0.1	72.7
	115.0	41.00	32.95	8.511	3441	127	27.39	0.041	0.9	73.0
<b>PUT OZ-FT</b>	<b>115.0</b>	<b>40.95</b>	<b>33.00</b>	<b>8.358</b>	<b>3425</b>	<b>200</b>	<b>24.67</b>	<b>0.059</b>	<b>1.3</b>	<b>72.7</b>
	115.0	40.90	33.00	8.260	3428	258	26.55	0.082	1.8	72.9
	115.0	40.71	32.92	8.050	3421	378	28.25	0.127	2.8	73.1
	115.0	40.40	32.75	7.817	3407	493	30.79	0.181	4.0	73.3
	115.0	40.06	32.56	7.594	3393	596	33.21	0.236	5.2	73.7
	115.0	39.63	32.28	7.371	3372	692	35.42	0.292	6.5	74.0
	115.0	39.16	31.96	7.164	3352	781	37.76	0.351	7.8	74.4
	115.0	38.59	31.53	6.979	3321	864	39.63	0.408	9.2	74.8
	115.0	38.00	31.09	6.815	3291	940	40.99	0.459	10.4	75.3
	115.0	37.36	30.60	6.659	3256	1012	41.92	0.505	11.6	75.8
	115.0	36.71	30.08	6.541	3220	1078	42.60	0.547	12.7	76.3
	115.0	36.01	29.52	6.444	3175	1140	43.69	0.593	13.9	76.7
	115.0	35.29	28.94	6.382	3133	1197	43.69	0.623	14.8	77.2
	115.0	34.54	28.31	6.348	3081	1251	43.55	0.649	15.7	77.6
	115.0	33.79	27.68	6.355	3029	1301	42.98	0.665	16.4	77.9
	115.0	33.02	27.01	6.392	2976	1346	42.36	0.679	17.0	78.4
	115.0	32.21	26.31	6.455	2910	1389	40.89	0.676	17.3	78.6
	115.0	31.41	25.60	6.562	2848	1427	39.12	0.665	17.4	78.8
	115.0	30.65	24.91	6.692	2785	1464	37.01	0.645	17.3	79.0
	115.0	29.86	24.18	6.853	2718	1497	34.44	0.614	16.8	79.2
	115.0	29.09	23.48	7.028	2649	1528	31.40	0.571	16.1	79.2
	115.0	28.34	22.75	7.229	2580	1557	28.30	0.525	15.2	79.2
	115.0	27.61	22.05	7.440	2512	1583	24.69	0.465	13.8	79.1
	115.0	26.89	21.35	7.666	2443	1609	20.65	0.396	12.1	79.0
	115.0	26.21	20.65	7.899	2375	1632	17.08	0.332	10.4	78.8
	115.0	25.56	19.99	8.123	2310	1652	13.24	0.260	8.4	78.6
	115.0	24.85	19.23	8.378	2232	1674	8.44	0.168	5.6	78.1
	115.0	24.23	18.51	8.625	2162	1693	3.79	0.076	2.6	77.6
	115.0	23.68	17.94	8.847	2104	1710	0.11	0.002	0.1	77.3
	115.0	23.61	17.86	8.870	2097	1713	0.00	0.000	0.0	77.2

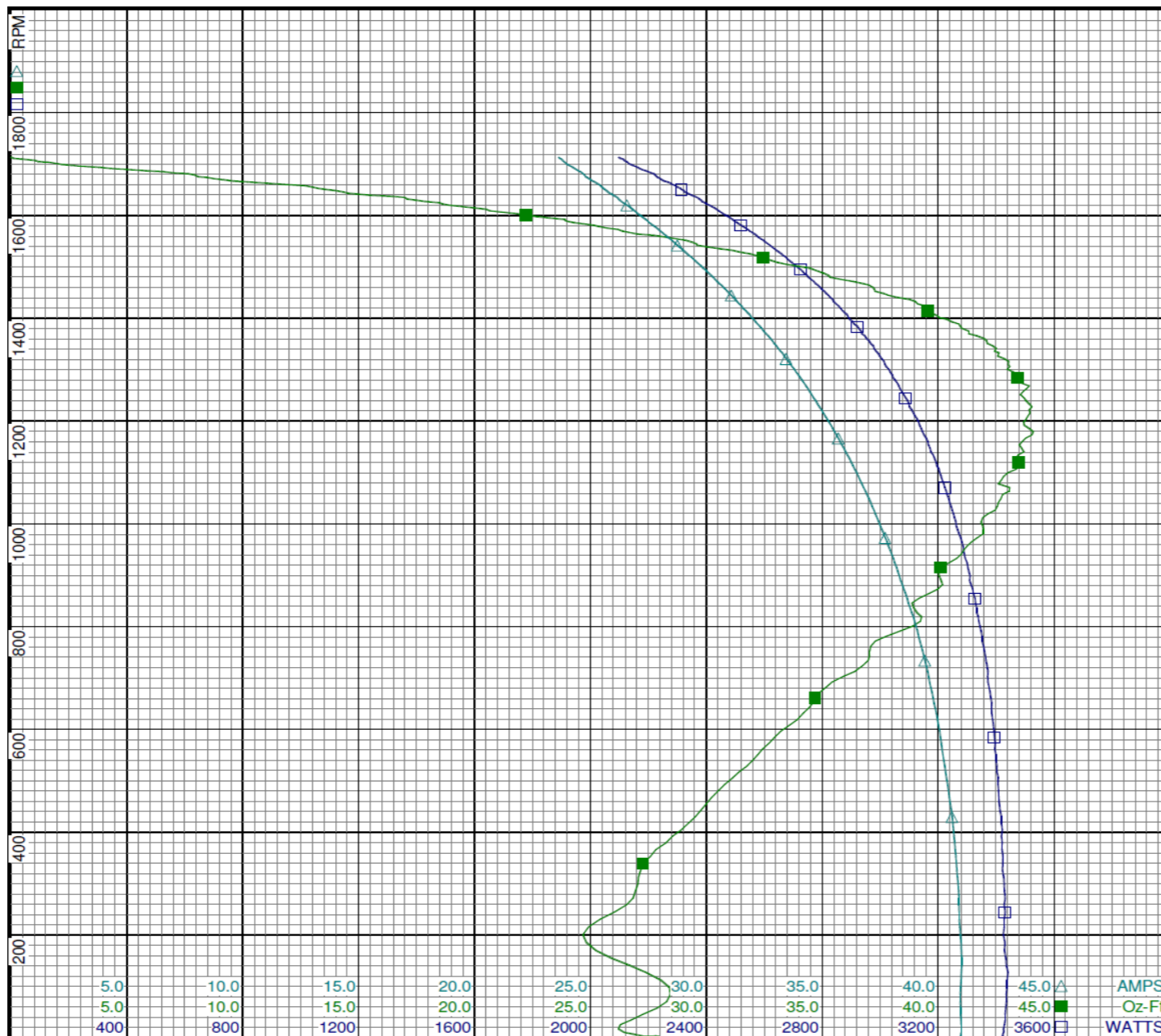
DRAWING NO.	PAGE 1 of 8	REV.
<b>6K729BG</b>		-

**Dayton Electric Mfg. Co. Lake Forest, IL 60045 USA**

# Performance Data



**6K729BG**      REV. -



**Dayton**

Curve Descriptions:  
 Motor(1) Test 1 Start 115V 60 Hz 4P  
 CCW

- SPEED vs WATTS
- SPEED vs TORQUE
- △ SPEED vs ILine

---

Motor Ratings:  
 (1) S055REY8492 6K729BG

DRAWING NO.      PAGE 2 of 8      REV.  
**6K729BG**      -

**Dayton Electric Mfg. Co. Lake Forest, IL 60045 USA**



# Performance Data



**6K729BG**

REV.  
-

## Dayton Manufacturing Company

### Motor Description

Model: S055REY8492 6K729BG  
 Motor ID: 1  
 Poles: 4  
 Volts: 115/208-230  
 Frequency: 60/ 50  
 HP: 1/2  
 Speed: 1725  
 Phase: 1  
 Protector: MEJ36AX

### Test Conditions

Test Type: Run  
 Test Number: 2  
 Poles: 4  
 Volts: 115  
 Hz: 60  
 Rotation: CWLE  
 Special Cond:  
 Speed Conn:  
 TestBoard: Amtps Performance Fixture #3  
 Run Cap: 0  
 Start Cap: 0µfd  
 Environment:  
 Tested: 3/31/2010 2:53:41 PM  
 Tested By: Sharp, Gerald  
 Gear Ratio: 1:1  
 Bearing Friction: -0.62 Oz-Ft  
 Windage Torque: -1.75 Oz-Ft

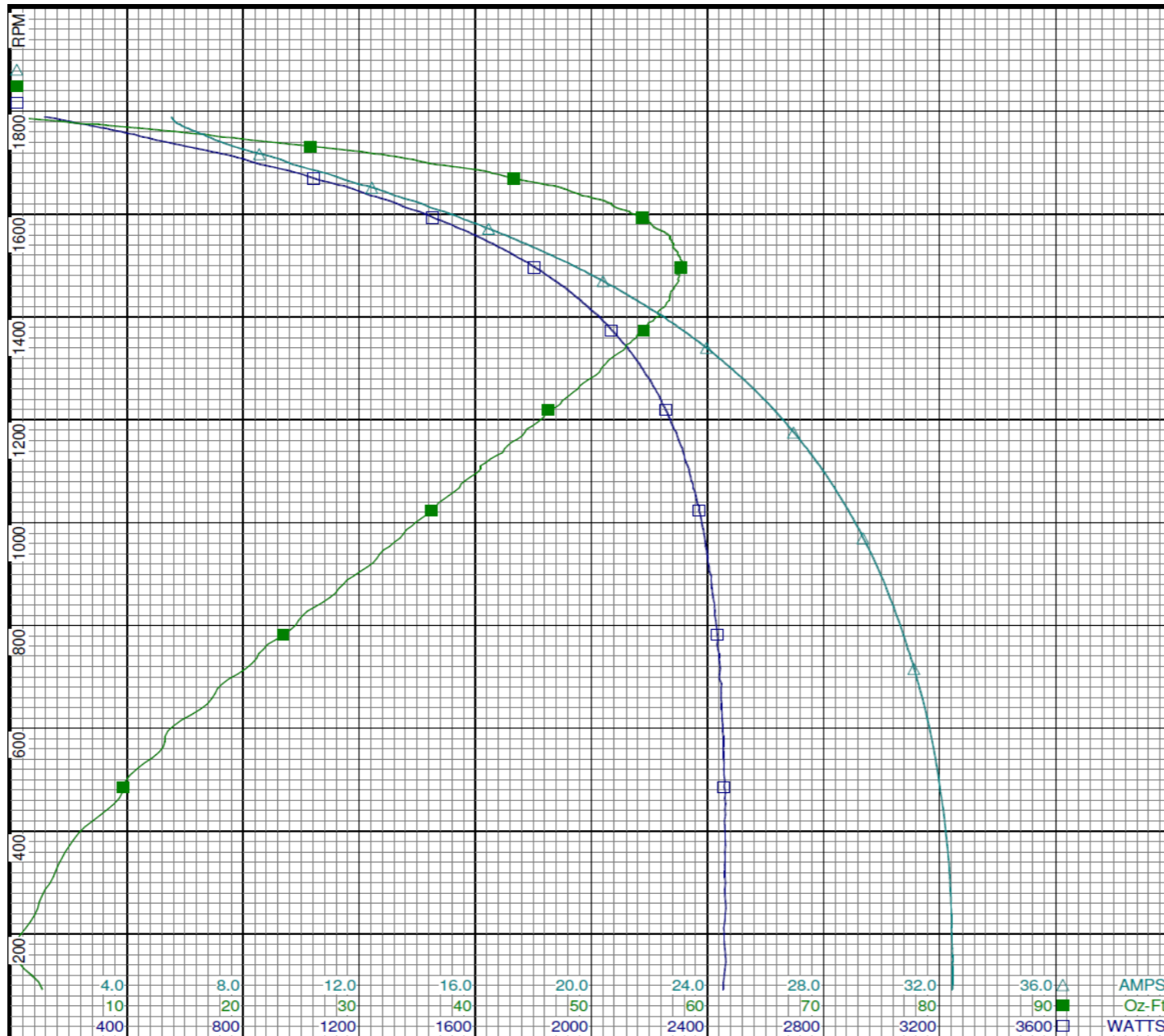
Special Points	Vline(V)	Iline(A)	Watts	RPM	Tq(Oz-ft)	HP	Eff (%)	PF (%)
	115.0	5.53	115	1789	0.00	0.000	0.0	18.0
	115.0	5.95	293	1770	9.60	0.202	51.5	42.8
	115.0	6.79	454	1750	18.14	0.378	62.1	58.2
<b>24.3 OZ-FT</b>	<b>115.0</b>	<b>7.47</b>	<b>573</b>	<b>1735</b>	<b>24.30</b>	<b>0.502</b>	<b>65.3</b>	<b>66.7</b>
<b>0.5 HP</b>	<b>115.0</b>	<b>7.46</b>	<b>571</b>	<b>1735</b>	<b>24.20</b>	<b>0.500</b>	<b>65.3</b>	<b>66.6</b>
	115.0	7.75	618	1730	26.62	0.548	66.2	69.3
<b>28 OZ-FT</b>	<b>115.0</b>	<b>7.95</b>	<b>647</b>	<b>1726</b>	<b>28.00</b>	<b>0.575</b>	<b>66.3</b>	<b>70.8</b>
<b>1725 RPM</b>	<b>115.0</b>	<b>8.04</b>	<b>660</b>	<b>1725</b>	<b>28.56</b>	<b>0.587</b>	<b>66.3</b>	<b>71.3</b>
<b>30.4 OZ-FT</b>	<b>115.0</b>	<b>8.34</b>	<b>698</b>	<b>1720</b>	<b>30.40</b>	<b>0.623</b>	<b>66.6</b>	<b>72.8</b>
<b>0.625 HP</b>	<b>115.0</b>	<b>8.39</b>	<b>704</b>	<b>1720</b>	<b>30.53</b>	<b>0.625</b>	<b>66.3</b>	<b>73.0</b>
	115.0	9.07	781	1709	33.68	0.685	65.5	74.8
	115.0	10.24	927	1688	39.42	0.792	63.8	78.7
	115.0	11.62	1074	1664	44.38	0.879	61.1	80.3
	115.0	13.09	1224	1639	48.89	0.954	58.1	81.3
	115.0	14.48	1362	1612	52.17	1.001	54.8	81.8
	115.0	15.88	1496	1584	54.98	1.037	51.7	81.9
	115.0	17.31	1624	1552	56.75	1.048	48.2	81.6
	115.0	18.66	1736	1519	57.51	1.040	44.7	80.9
<b>BDT OZ-FT</b>	<b>115.0</b>	<b>19.07</b>	<b>1771</b>	<b>1508</b>	<b>57.80</b>	<b>1.037</b>	<b>43.7</b>	<b>80.8</b>
	115.0	20.02	1846	1481	57.60	1.015	41.0	80.2
	115.0	21.29	1942	1441	56.77	0.974	37.4	79.3
	115.0	22.54	2031	1398	55.49	0.923	33.9	78.3
	115.0	23.74	2108	1349	53.33	0.857	30.3	77.2
	115.0	24.85	2176	1298	50.82	0.785	26.9	76.2
	115.0	25.90	2236	1242	47.80	0.707	23.6	75.1
	115.0	26.87	2284	1182	44.42	0.625	20.4	73.9
	115.0	27.78	2326	1116	40.90	0.543	17.4	72.8
	115.0	28.62	2362	1045	37.28	0.464	14.7	71.8
	115.0	29.36	2390	970	33.51	0.387	12.1	70.8
	115.0	30.05	2412	888	28.96	0.306	9.5	69.8
	115.0	30.64	2430	801	24.51	0.234	7.2	69.0
	115.0	31.17	2442	706	19.52	0.164	5.0	68.1
	115.0	31.63	2453	604	13.99	0.101	3.1	67.4
	115.0	31.98	2459	497	9.86	0.058	1.8	66.9
	115.0	32.24	2461	384	5.39	0.025	0.7	66.4
	115.0	32.40	2462	262	2.41	0.008	0.2	66.1
	115.0	32.46	2460	132	1.09	0.002	0.1	65.9

DRAWING NO. PAGE 3 of 8 REV.  
 6K729BG -

# Performance Data



**6K729BG**      REV. -



**Dayton**

**Curve Descriptions:**  
 Motor(1) Test 2 Run 115V 60 Hz 4P  
 CWLE

- SPEED vs WATTS
- SPEED vs TORQUE
- △ SPEED vs ILine

**Motor Ratings:**  
 (1) S055REY8492 6K729BG

DRAWING NO.      PAGE 4 of 8      REV.  
**6K729BG**      -

**Dayton Electric Mfg. Co. Lake Forest, IL 60045 USA**

# Performance Data



<b>6K729BG</b>	REV. -
----------------	-----------

## Dayton Manufacturing Company

### Motor Description

Model: S055REY8492 6K729BG  
 Motor ID: 1  
 Poles: 4  
 Volts: 115/208-230  
 Frequency: 60/ 50  
 HP: 1/2  
 Speed: 1725  
 Phase: 1  
 Protector: MEJ36AX

### Test Conditions

Test Type: Start  
 Test Number: 15  
 Poles: 4  
 Volts: 230  
 Hz: 60  
 Rotation:  
 Special Cond:  
 Speed Conn:  
 TestBoard: Amtps Performance Fixture #3  
 Run Cap: 0  
 Start Cap: 0µfd  
 Environment:  
 Tested: 3/31/2010 9:44:00 AM  
 Tested By: Sharp, Gerald  
 Gear Ratio: 1:1  
 Bearing Friction: -0.61 Oz-Ft  
 Windage Torque: -1.75 Oz-Ft

Special Points	Vline(V)	Iline(A)	Imain(A)	Iaux(A)	Watts	RPM	Tq(Oz-ft)	HP	Eff(%)	PF(%)
	230.0	20.12	12.915	7.917	3311	2	28.64	0.001	0.0	71.6
	230.0	20.12	12.929	7.888	3307	18	27.34	0.006	0.1	71.5
	230.0	20.06	12.941	7.746	3294	126	24.81	0.037	0.8	71.4
<b>PUT OZ-FT</b>	<b>230.0</b>	<b>20.05</b>	<b>12.951</b>	<b>7.673</b>	<b>3299</b>	<b>169</b>	<b>23.10</b>	<b>0.046</b>	<b>1.1</b>	<b>71.6</b>
	230.0	20.04	12.988	7.527	3299	258	24.62	0.076	1.7	71.6
	230.0	19.95	12.963	7.333	3296	378	26.99	0.122	2.8	71.8
	230.0	19.81	12.919	7.134	3289	493	29.61	0.174	3.9	72.2
	230.0	19.63	12.849	6.937	3274	597	31.84	0.226	5.2	72.5
	230.0	19.43	12.744	6.751	3260	693	34.27	0.283	6.5	72.9
	230.0	19.19	12.620	6.576	3238	782	36.90	0.344	7.9	73.3
	230.0	18.94	12.476	6.417	3215	864	39.27	0.404	9.4	73.8
	230.0	18.64	12.297	6.283	3187	940	40.29	0.451	10.6	74.3
	230.0	18.32	12.077	6.186	3158	1012	40.83	0.492	11.6	74.9
	230.0	18.00	11.857	6.106	3124	1078	41.60	0.534	12.8	75.5
	230.0	17.66	11.638	6.038	3084	1140	42.73	0.580	14.0	75.9
	230.0	17.30	11.397	5.997	3042	1198	42.94	0.612	15.0	76.5
	230.0	16.94	11.154	5.994	2994	1252	43.03	0.641	16.0	76.9
	230.0	16.56	10.901	6.022	2945	1301	42.71	0.661	16.8	77.3
	230.0	16.17	10.640	6.076	2889	1347	41.90	0.672	17.3	77.7
	230.0	15.78	10.379	6.166	2835	1389	41.01	0.678	17.8	78.1
	230.0	15.38	10.110	6.283	2775	1428	39.39	0.670	18.0	78.4
	230.0	14.99	9.844	6.421	2711	1464	37.29	0.650	17.9	78.6
	230.0	14.60	9.580	6.583	2647	1498	34.71	0.619	17.4	78.8
	230.0	14.21	9.310	6.764	2578	1529	32.06	0.584	16.9	78.9
	230.0	13.83	9.055	6.955	2514	1558	29.07	0.539	16.0	79.0
	230.0	13.46	8.795	7.162	2444	1584	25.67	0.484	14.8	78.9
	230.0	13.09	8.541	7.384	2376	1608	21.75	0.416	13.1	78.9
	230.0	12.75	8.307	7.593	2307	1631	18.07	0.351	11.4	78.7
	230.0	12.40	8.056	7.825	2235	1654	14.13	0.278	9.3	78.4
	230.0	12.08	7.819	8.054	2167	1674	10.30	0.205	7.1	78.0
	230.0	11.79	7.649	8.266	2110	1693	5.97	0.120	4.3	77.8
	230.0	11.44	7.425	8.501	2030	1710	1.34	0.027	1.0	77.1
	230.0	11.33	7.355	8.598	2005	1718	0.00	0.000	0.0	77.0

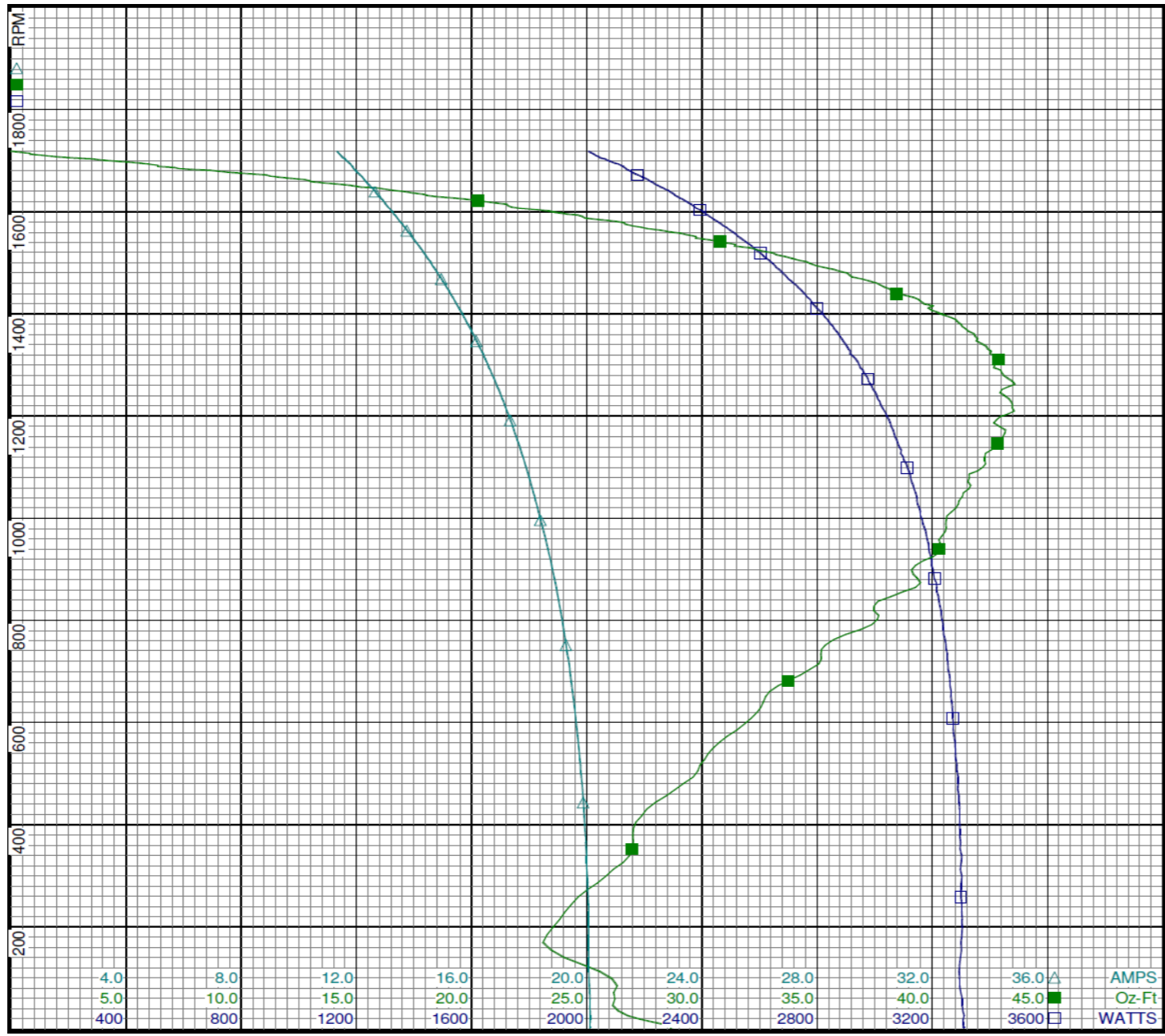
DRAWING NO.	PAGE 5 of 8	REV.
	<b>6K729BG</b>	-

**Dayton Electric Mfg. Co. Lake Forest, IL 60045 USA**

# Performance Data



**6K729BG**      REV. -



**Dayton**

**Curve Descriptions:**  
Motor(1) Test 15 Start 230V 60 Hz 4P

- SPEED vs WATTS
- SPEED vs TORQUE
- △ SPEED vs ILine

---

**Motor Ratings:**  
(1) S055REY8492 6K729BG

DRAWING NO.	PAGE 6 of 8	REV.
6K729BG		-

**Dayton Electric Mfg. Co. Lake Forest, IL 60045 USA**



# Performance Data



**6K729BG**

REV.  
-

## Dayton Manufacturing Company

### Motor Description

Model: S055REY8492 6K729BG  
 Motor ID: 1  
 Poles: 4  
 Volts: 115/208-230  
 Frequency: 60/ 50  
 HP: 1/2  
 Speed: 1725  
 Phase: 1  
 Protector: MEJ36AX

### Test Conditions

Test Type: Run  
 Test Number: 16  
 Poles: 4  
 Volts: 230  
 Hz: 60  
 Rotation:  
 Special Cond:  
 Speed Conn:  
 TestBoard: Amtps Performance Fixture #3  
 Run Cap: 0  
 Start Cap: 0µfd  
 Environment:  
 Tested: 3/31/2010 9:10:14 AM  
 Tested By: Sharp, Gerald  
 Gear Ratio: 1:1  
 Bearing Friction: -0.61 Oz-Ft  
 Windage Torque: -1.75 Oz-Ft

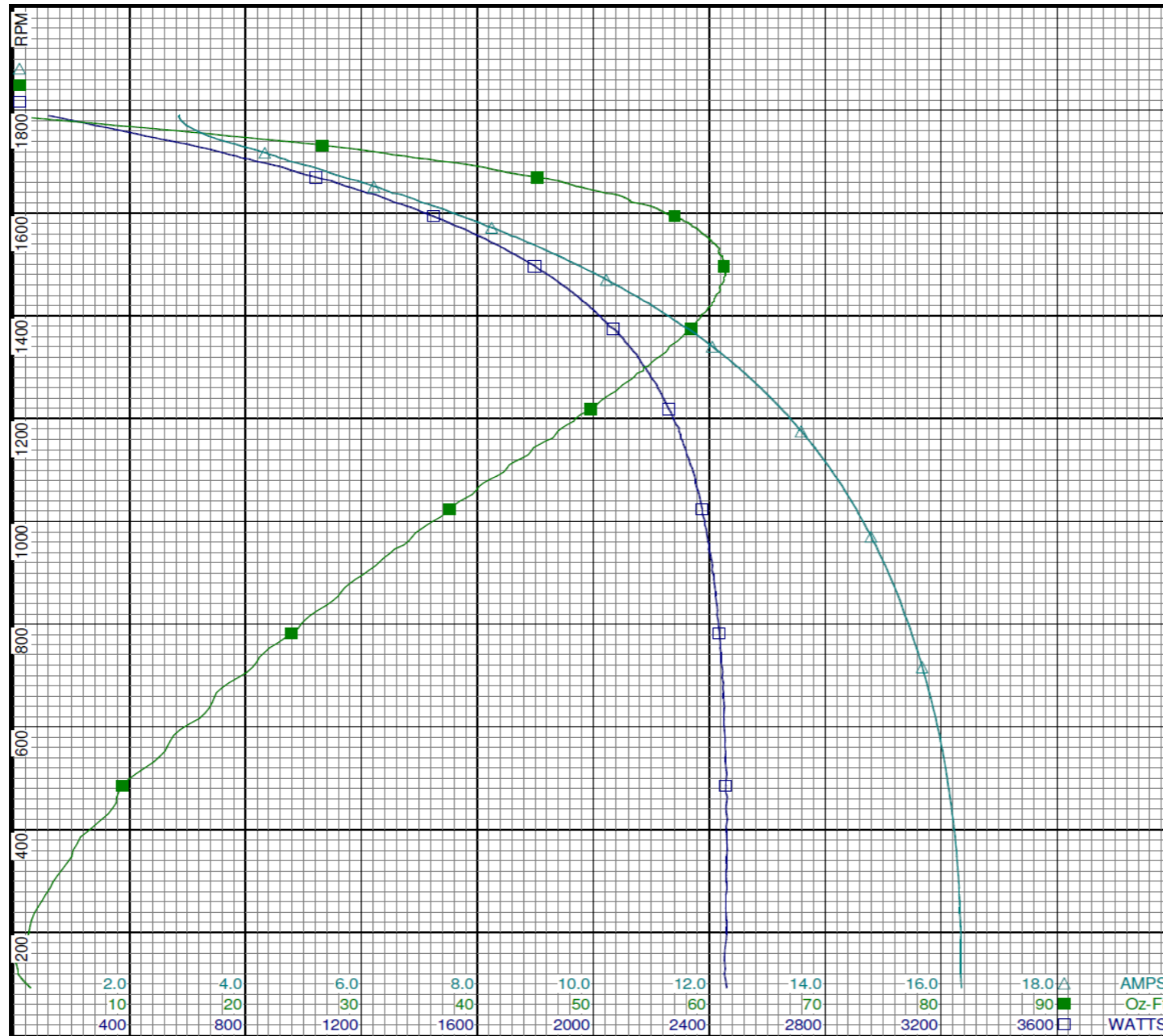
Special Points	Vline(V)	Iline(A)	Watts	RPM	Tq(Oz-ft)	HP	Eff (%)	PF (%)
	230.0	2.842	120	1789	0.00	0.000	0.0	18.3
	230.0	2.989	285	1769	9.04	0.190	49.8	41.5
	230.0	3.359	455	1749	18.66	0.388	63.7	58.9
<b>24.3 OZ-FT</b>	<b>230.0</b>	<b>3.700</b>	<b>564</b>	<b>1737</b>	<b>24.30</b>	<b>0.503</b>	<b>66.5</b>	<b>66.3</b>
<b>0.5 HP</b>	<b>230.0</b>	<b>3.690</b>	<b>561</b>	<b>1738</b>	<b>24.17</b>	<b>0.500</b>	<b>66.5</b>	<b>66.1</b>
	230.0	3.948	631	1729	27.52	0.566	66.9	69.5
<b>28 OZ-FT</b>	<b>230.0</b>	<b>3.992</b>	<b>641</b>	<b>1728</b>	<b>28.00</b>	<b>0.576</b>	<b>67.0</b>	<b>69.8</b>
<b>1725 RPM</b>	<b>230.0</b>	<b>4.100</b>	<b>667</b>	<b>1725</b>	<b>29.18</b>	<b>0.599</b>	<b>67.0</b>	<b>70.7</b>
<b>30.4 OZ-FT</b>	<b>230.0</b>	<b>4.215</b>	<b>693</b>	<b>1721</b>	<b>30.40</b>	<b>0.623</b>	<b>67.1</b>	<b>71.4</b>
<b>0.625 HP</b>	<b>230.0</b>	<b>4.225</b>	<b>695</b>	<b>1721</b>	<b>30.51</b>	<b>0.625</b>	<b>67.1</b>	<b>71.5</b>
	230.0	4.518	768	1710	33.73	0.687	66.7	73.9
	230.0	5.182	928	1688	40.61	0.816	65.6	77.9
	230.0	5.854	1079	1664	46.45	0.920	63.6	80.2
	230.0	6.535	1220	1638	51.15	0.997	61.0	81.2
	230.0	7.235	1354	1613	54.90	1.054	58.1	81.4
	230.0	7.963	1489	1584	57.82	1.090	54.6	81.3
	230.0	8.656	1611	1553	59.80	1.106	51.2	80.9
	230.0	9.346	1729	1519	60.89	1.101	47.5	80.5
<b>BDT OZ-FT</b>	<b>230.0</b>	<b>10.030</b>	<b>1837</b>	<b>1482</b>	<b>61.38</b>	<b>1.083</b>	<b>44.0</b>	<b>79.6</b>
	230.0	10.030	1837	1482	61.38	1.083	44.0	79.6
	230.0	10.682	1936	1441	60.60	1.040	40.1	78.8
	230.0	11.314	2025	1398	59.28	0.986	36.3	77.8
	230.0	11.937	2109	1349	57.21	0.919	32.5	76.8
	230.0	12.510	2180	1298	54.33	0.840	28.7	75.8
	230.0	13.042	2239	1242	51.10	0.756	25.2	74.6
	230.0	13.536	2295	1181	47.28	0.665	21.6	73.7
	230.0	13.999	2331	1116	43.19	0.574	18.4	72.4
	230.0	14.419	2367	1045	38.97	0.485	15.3	71.4
	230.0	14.792	2393	970	34.38	0.397	12.4	70.3
	230.0	15.136	2415	887	29.48	0.311	9.6	69.4
	230.0	15.435	2432	800	24.79	0.236	7.2	68.5
	230.0	15.699	2446	706	20.11	0.169	5.2	67.7
	230.0	15.927	2450	605	15.08	0.109	3.3	66.9
	230.0	16.108	2458	497	9.87	0.058	1.8	66.3
	230.0	16.238	2459	385	5.76	0.026	0.8	65.8
	230.0	16.316	2458	261	2.42	0.008	0.2	65.5
	230.0	16.333	2455	128	0.33	0.000	0.0	65.4

DRAWING NO. PAGE 7 of 8 REV.  
 6K729BG -

# Performance Data



**6K729BG**      REV. -



**Dayton**

Curve Descriptions:  
Motor(1) Test 16 Run 230V 60 Hz 4P

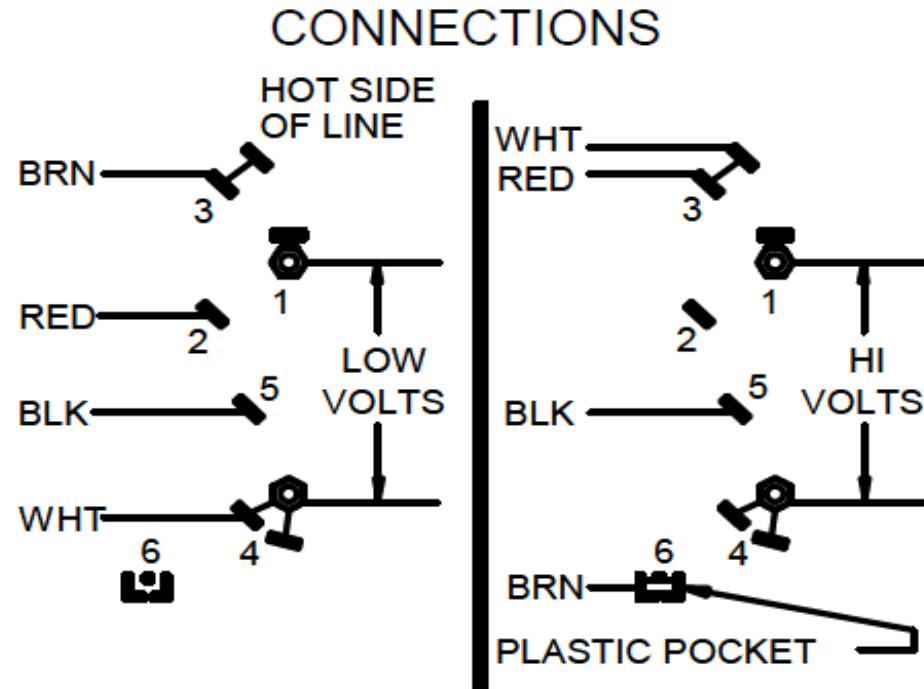
- SPEED vs WATTS
- SPEED vs TORQUE
- △ SPEED vs ILine

Motor Ratings:  
(1) S055REY8492 6K729BG

DRAWING NO.      PAGE 8 of 8      REV. -  
**6K729BG**

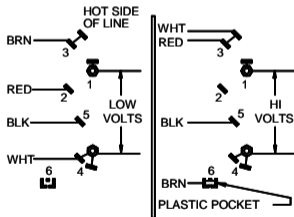
**Dayton Electric Mfg. Co. Lake Forest, IL 60045 USA**

6K729BG	REV. -
---------	-----------



MOTOR IS CCW ROTATION LEAD END REV  
TO REVERSE ROTATION INTERCHANGE  
RED AND BLACK LEADS

DRAWING NO.	PAGE 1 of 1	REV.
6K729BG		-

**Dayton**<sup>®</sup>**BELT DRIVE FAN &  
BLOWER MOTOR****HP:** 1/2**VOLTS:** 115/208-230**AMPS:** 8.6/4.2-4.3**RPM:** 1725**DUTY:** CONT**SF:** 1.25**KVA CODE:** L**ENCL:** ODP**THERMALLY PROTECTED:** AUTOMFG. NO. PROT. CODE: 04390**MTR REF:** S55JXREY-8492**PH:** 1**HZ:** 60**FR:** 56**INS CL:** B**AMB:** 40 °C**SFA:** 9.4/4.9-4.7AVG. F.L.  
EFF.Part  
No **6K729BG****Disconnect Power Before Making Any  
Electrical Connections or Changes****CONNECTIONS****MOTOR IS CCW ROTATION LEAD END REV  
TO REVERSE ROTATION INTERCHANGE  
RED AND BLACK LEADS**

Mfd for Dayton Electric Mfg. Co., Lake Forest, IL 60045 USA

Made in Mexico