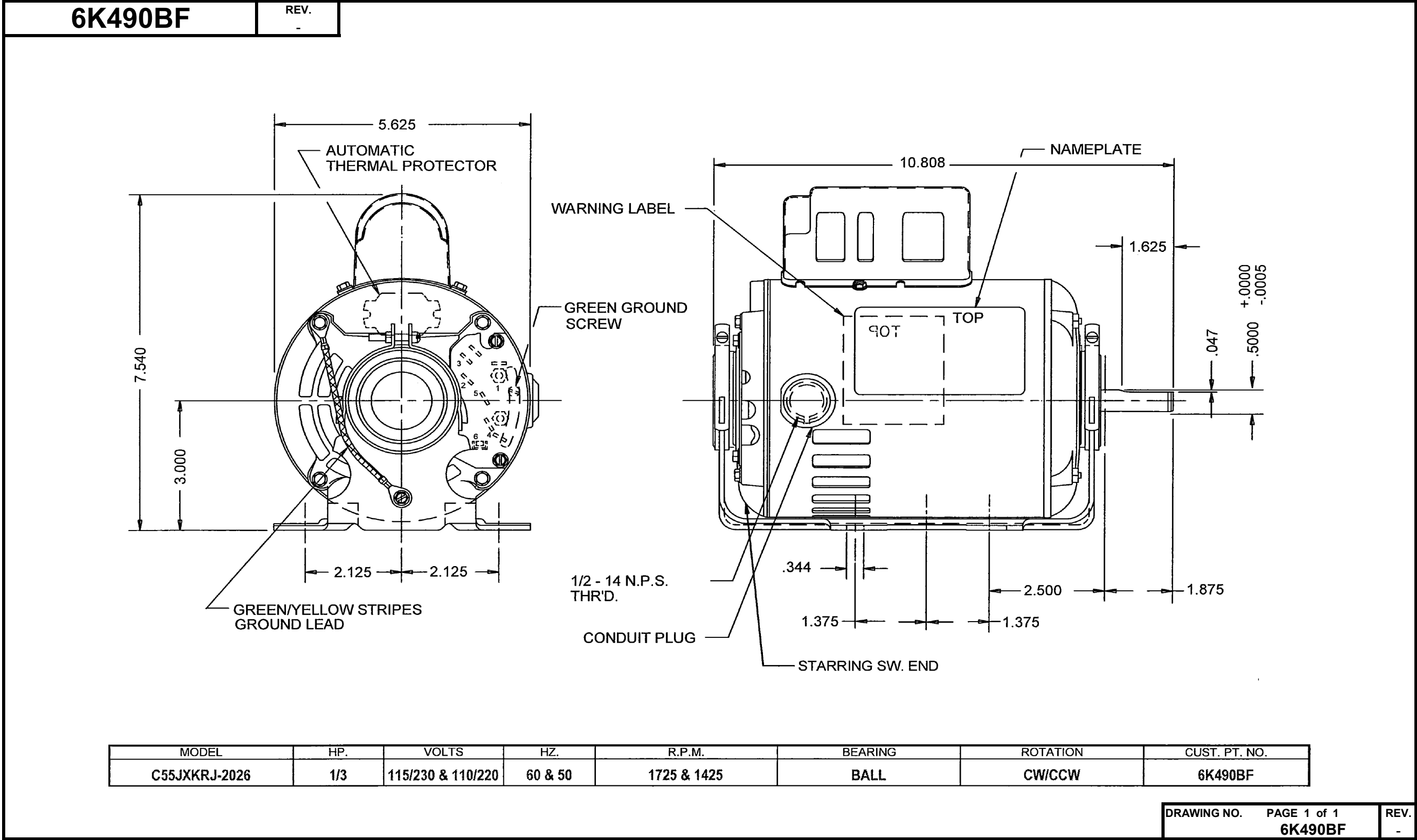


Dimensional Drawing



Performance Data



6K490BF

REV.
-

MOTOR PERFORMANCE

HP:	1/3								
Poles:	4								
No. of Speeds:	1								
Volts:	115/230V & 110/220V	115	230	110	220				
HZ:	60 & 50	60	60	50	50				
Service Factor:	1.35								
Efficiency:	@ Rated Load	62.8	63.3	61.4	62				
Power Factor:	@ Rated Load	63.2	63.2	59.2	58.6				
Amps:	@ No Load								
	@ Rated Load	5.42	2.7	6.2	3.1				
	@ Service Factor	6.2	3.1	7	3.6				
	@ Locked Rotor	34.87	17.65	32.2	16.92				
RPM:	@ Rated Load								
Ambient (°C):									
Altitude (FASL):									
Torques:	Breakdown	49.49	48.52	60.51	61.2				
	Locked Rotor	95.28	81.2	93.7	83.72				
	Pull-Up	93.28	78.44	93.11	82.84				
	Rated Load	95.28	95.28	93.7	83.72				
	Service Factor								
Watts:	Rated Load								
KVA Code:									
Temperature Rise:	@ Rated Load	42.2		53.1					
	@ Service Factor	59.2		69.8					
Thermal Protector:	Trip Temp (°C)								
Winding Material:	Start (Auxiliary)	Al							
	Run (Main)	Al							
Capacitor(s):	Start Micro-Farads Rating	649 MFD							
	Start Voltage Rating	125 VAC							
	No. of Start Capacitors								
	Run Micro-Farads Rating	N/A							
	Run Voltage Rating	N/A							
	No. of Run Capacitors								

LOW SPEED PERFORMANCE DATA:

HP:									
Poles:									
Volts:									
HZ:									
Efficiency:	@ Rated Load								
Power Factor:	@ Rated Load								
Amps:	@ No Load								
	@ Rated Load								
	@ Service Factor								
	@ Locked Rotor								
Torques:	@ Rated Load								
	Locked Rotor								
	Pull-Up								
	Rated Load								
	Service Factor								
Watts:	@ Rated Load								
Temperature Rise:	@ Rated Load								
	@ Service Factor								

DRAWING NO. PAGE 1 of 1

REV.

6K490BF

-

Dayton Electric Mfg. Co. Lake Forest, IL 60045 USA

Performance Data



6K490BF REV.
-

Dayton Manufacturing Company

Motor Description

Model: C055KRJ2026
 Motor ID: Motor #1
 Poles: 4
 Volts: 115/230&110/220
 Frequency: 60
 HP: 1/3
 Speed: 1725&1425
 Phase: 1
 Protector: MEJ36RO

Test Conditions

Test Type: Start Run Cap: 0
 Test Number: 1 Start Cap: 0µfd
 Poles: 4
 Volts: 115 Tested: 3/21/2012 3:59:22 PM
 Hz: 60
 Rotation: Gear Ratio: 1:1
 Special Cond: 2 Line Bearing Friction: -0.43 Oz-Ft
 Speed Conn: Windage Torque: -1.76 Oz-Ft
 TestBoard: Amtps Performance Fixture #1

Special Points	Vline	Iline	Watts	Speed	Tq (Oz-ft)	HP	Eff (%)	PF (%)
PUT OZ-FT	115.0	34.87	3965	7	95.28	0.008	0.2	98.9
	115.0	34.99	3980	9	93.28	0.009	0.2	98.9
	115.0	34.85	3966	40	96.00	0.046	0.9	99.0
	115.0	34.75	3956	184	94.17	0.206	3.9	99.0
	115.0	34.74	3959	317	97.97	0.369	7.0	99.1
	115.0	34.72	3959	441	101.53	0.533	10.0	99.2
	115.0	34.69	3960	557	105.94	0.703	13.2	99.3
	115.0	34.70	3964	664	110.53	0.874	16.4	99.3
	115.0	34.67	3965	762	114.22	1.037	19.5	99.4
	115.0	34.61	3963	855	118.12	1.202	22.6	99.6
	115.0	34.61	3968	941	121.69	1.363	25.6	99.7
	115.0	34.60	3969	1019	125.01	1.516	28.5	99.7
	115.0	34.60	3971	1092	127.76	1.660	31.2	99.8
	115.0	34.62	3975	1159	129.88	1.792	33.6	99.8
	115.0	34.60	3977	1221	131.18	1.906	35.8	100.0
	115.0	30.66	3343	1277	97.99	1.489	33.2	94.8
	115.0	19.74	1781	1320	44.02	0.692	29.0	78.4
	115.0	18.53	1675	1372	43.69	0.714	31.8	78.6
	115.0	17.51	1602	1420	44.54	0.753	35.1	79.6
	115.0	16.50	1526	1462	45.28	0.788	38.5	80.4
	115.0	15.44	1442	1501	45.60	0.815	42.2	81.2
	115.0	14.38	1353	1536	45.17	0.826	45.6	81.8
	115.0	13.30	1257	1569	44.01	0.822	48.8	82.2
	115.0	12.24	1159	1598	42.44	0.807	52.0	82.3
	115.0	11.17	1056	1625	40.54	0.784	55.4	82.2
	115.0	10.13	949	1651	37.71	0.741	58.2	81.5
	115.0	9.11	843	1673	34.49	0.687	60.8	80.4
	115.0	8.08	731	1695	30.76	0.621	63.4	78.6
	115.0	7.09	613	1715	26.12	0.533	64.9	75.2
	115.0	6.27	504	1735	21.15	0.437	64.6	69.9
	115.0	5.40	380	1754	14.93	0.312	61.3	61.2
	115.0	4.73	265	1773	8.94	0.189	53.1	48.7
	115.0	4.34	145	1791	1.94	0.041	21.3	29.0
	115.0	4.30	108	1796	0.00	0.000	0.0	21.9

DRAWING NO. PAGE 1 of 8 REV.
6K490BF -

Dayton Electric Mfg. Co. Lake Forest, IL 60045 USA

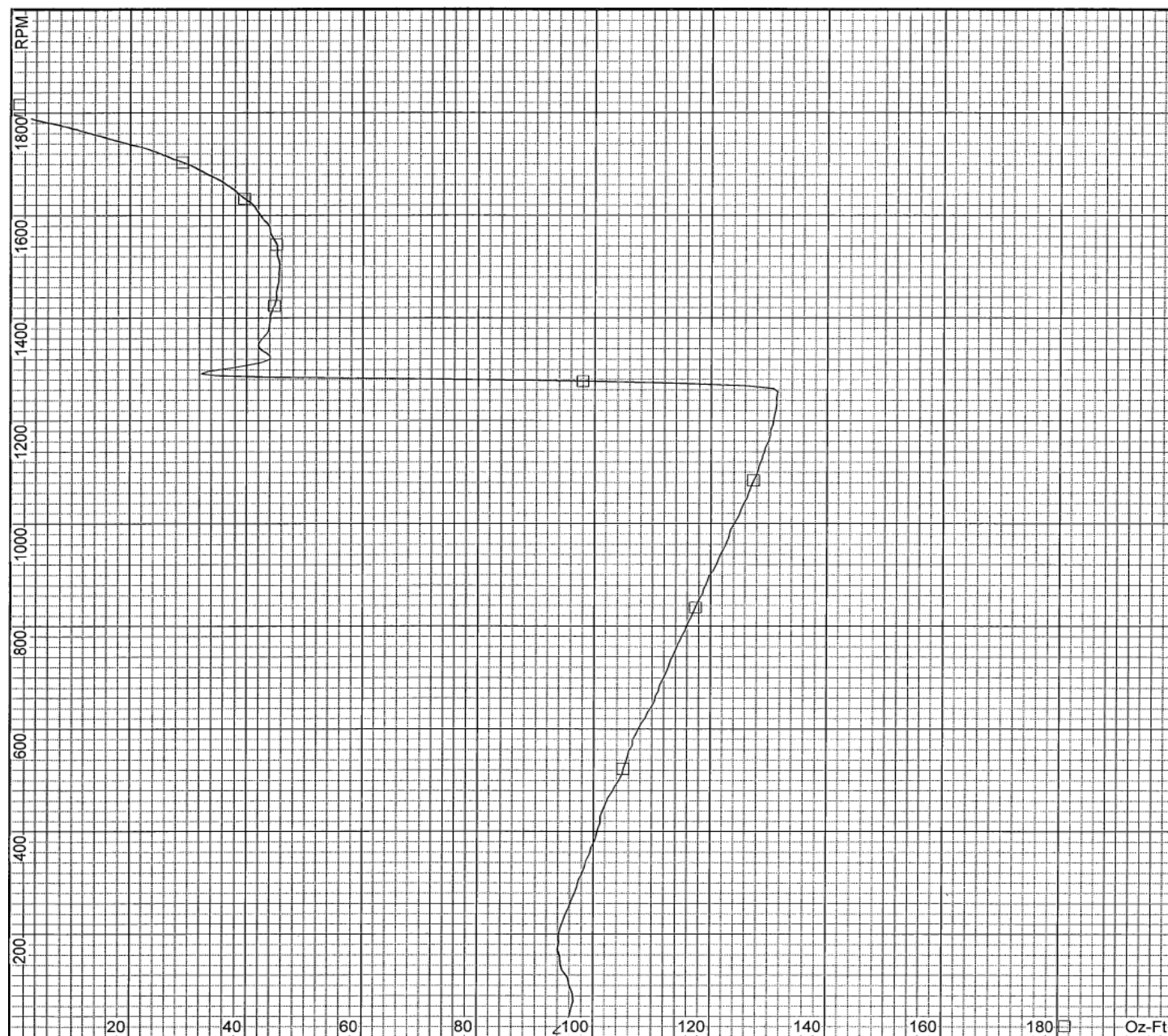
Performance Data



6K490BF

REV.

-



Curve Descriptions:

Motor(1) Test 1 Start 115V 60 Hz 4P
2 Line Attempt #1

SPEED vs TORQUE

Motor Ratings:

(1) C055KRJ2026 ID: Motor #1

DRAWING NO.	PAGE 2 of 8	REV.
6K490BF		-

Dayton Electric Mfg. Co. Lake Forest, IL 60045 USA

Performance Data



6K490BF REV.
-

Dayton Manufacturing Company

Motor Description

Model: C055KRJ2026
 Motor ID: Motor #1
 Poles: 4
 Volts: 115/230&110/220
 Frequency: 60
 HP: 1/3
 Speed: 1725&1425
 Phase: 1
 Protector: MEJ36RO

Test Conditions

Test Type: Run Run Cap: 0
 Test Number: 3 Start Cap: 0µfd
 Poles: 4
 Volts: 115 Tested: 3/21/2012 3:52:39 PM
 Hz: 60
 Rotation:
 Special Cond: 2 Line Gear Ratio: 1:1
 Speed Conn: Bearing Friction: -0.52 Oz-Ft
 TestBoard: Windage Torque: -1.97 Oz-Ft
 Amtps Performance Fixture #1

Special Points	Vline	Iline	Watts	Speed	Tq (Oz-ft)	HP	Eff (%)	PF (%)
	115.0	4.20	109	1789	0.00	0.000	0.0	22.5
	115.0	4.62	247	1770	8.04	0.169	51.3	46.4
	115.0	5.37	384	1750	15.32	0.319	62.0	62.2
0.333 HP	115.0	5.44	395	1748	16.00	0.333	62.8	63.2
16.23 OZ-FT	115.0	5.46	399	1747	16.23	0.338	63.1	63.5
0.45 HP	115.0	6.22	511	1730	21.85	0.450	65.6	71.5
21.91 OZ-FT	115.0	6.23	513	1730	21.91	0.451	65.7	71.6
	115.0	6.25	516	1730	22.10	0.455	65.8	71.8
1725 RPM	115.0	6.54	552	1725	23.67	0.486	65.7	73.4
	115.0	7.29	638	1710	27.54	0.561	65.5	76.1
	115.0	8.29	760	1689	32.48	0.653	64.1	79.7
	115.0	9.36	876	1665	36.42	0.722	61.5	81.4
	115.0	10.52	997	1641	39.87	0.779	58.3	82.4
	115.0	11.66	1109	1614	42.20	0.811	54.6	82.7
	115.0	12.79	1214	1587	44.27	0.836	51.4	82.6
	115.0	13.92	1315	1556	45.49	0.843	47.8	82.2
	115.0	15.02	1411	1522	46.19	0.837	44.2	81.7
BDT OZ-FT	115.0	15.35	1439	1511	46.49	0.836	43.4	81.5
	115.0	16.10	1498	1486	46.15	0.816	40.6	80.9
	115.0	17.14	1580	1446	45.74	0.787	37.2	80.1
	115.0	18.14	1652	1403	44.70	0.746	33.7	79.2
	115.0	19.11	1717	1356	43.07	0.695	30.2	78.1
	115.0	20.02	1775	1305	41.16	0.639	26.9	77.1
	115.0	20.88	1824	1250	38.91	0.579	23.7	76.0
	115.0	21.68	1869	1190	36.36	0.515	20.6	74.9
	115.0	22.43	1905	1125	33.37	0.447	17.5	73.8
	115.0	23.11	1936	1055	30.08	0.378	14.5	72.8
	115.0	23.75	1962	979	26.44	0.308	11.7	71.9
	115.0	24.31	1982	898	22.67	0.242	9.1	70.9
	115.0	24.80	1997	811	18.73	0.181	6.8	70.0
	115.0	25.24	2012	717	14.89	0.127	4.7	69.3
	115.0	33.95	3755	627	102.45	0.765	15.2	96.2
	115.0	34.38	3916	522	103.18	0.641	12.2	99.0
	115.0	34.51	3935	405	99.41	0.480	9.1	99.1
	115.0	34.58	3940	281	96.39	0.323	6.1	99.1
	115.0	34.65	3942	150	92.84	0.166	3.1	98.9

DRAWING NO. PAGE 5 of 8 REV.
 6K490BF -

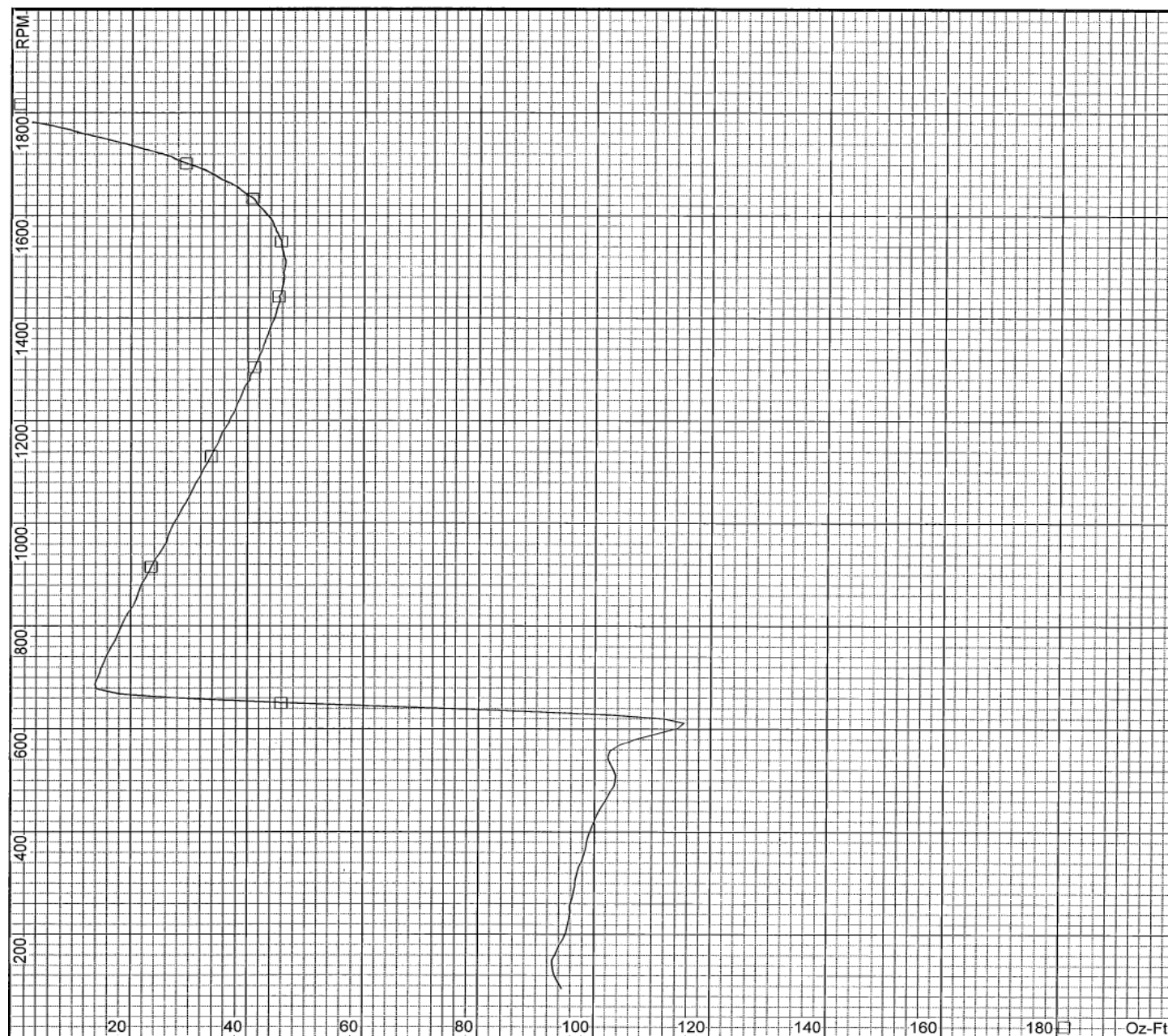
Performance Data



6K490BF

REV.

-



Curve Descriptions:

Motor(1) Test 3 Run 115V 60 Hz 4P
2 Line Attempt #1

□ SPEED vs TORQUE

Motor Ratings:

(1) C055KRJ2026 ID: Motor #1

DRAWING NO.	PAGE 6 of 8	REV.
6K490BF		-

Dayton Electric Mfg. Co. Lake Forest, IL 60045 USA

Performance Data



6K490BF	REV. -
----------------	-----------

Dayton Manufacturing Company

Motor Description

Model: C055KRJ2026
 Motor ID: Motor #1
 Poles: 4
 Volts: 115/230&110/220
 Frequency: 60
 HP: 1/3
 Speed: 1725&1425
 Phase: 1
 Protector: MEJ36RO

Test Conditions

Test Type: Start
 Test Number: 11
 Poles: 4
 Volts: 230
 Hz: 60
 Rotation:
 Special Cond: 2 Line
 Speed Conn:
 TestBoard: Amtps Performance Fixture #1
 Run Cap: 0
 Start Cap: 0µfd
 Tested: 3/21/2012 9:41:39 AM
 Gear Ratio: 1:1
 Bearing Friction: -0.52 Oz-Ft
 Windage Torque: -1.91 Oz-Ft

Special Points	Vline	Iline	Watts	Speed	Tq (Oz-ft)	HP	Eff (%)	PF (%)
PUT OZ-FT	230.0	17.646	3872	7	81.20	0.007	0.1	95.4
	230.0	17.660	3876	13	78.44	0.012	0.2	95.4
	230.0	17.621	3871	40	81.86	0.039	0.8	95.5
	230.0	17.616	3868	184	79.84	0.175	3.4	95.5
	230.0	17.575	3864	318	84.28	0.319	6.2	95.6
	230.0	17.529	3857	441	87.11	0.458	8.8	95.7
	230.0	17.467	3856	555	91.13	0.602	11.7	96.0
	230.0	17.416	3852	663	96.11	0.759	14.7	96.2
	230.0	17.339	3848	762	99.33	0.901	17.5	96.5
	230.0	17.248	3840	854	102.70	1.044	20.3	96.8
	230.0	17.170	3833	940	106.52	1.192	23.2	97.1
	230.0	17.081	3822	1019	109.30	1.326	25.9	97.3
	230.0	16.987	3815	1092	111.93	1.455	28.4	97.6
	230.0	16.889	3802	1159	113.93	1.573	30.9	97.9
	230.0	16.775	3785	1223	115.27	1.678	33.1	98.1
	230.0	13.063	2628	1275	63.52	0.964	27.4	87.5
	230.0	9.932	1776	1323	44.26	0.697	29.3	77.7
	230.0	9.305	1676	1374	44.84	0.733	32.6	78.3
	230.0	8.794	1601	1421	46.12	0.780	36.4	79.2
	230.0	8.277	1522	1463	46.52	0.810	39.7	80.0
	230.0	7.736	1436	1502	46.53	0.832	43.2	80.7
	230.0	7.205	1347	1537	46.19	0.845	46.8	81.3
	230.0	6.662	1251	1569	45.39	0.848	50.6	81.6
	230.0	6.125	1151	1598	43.87	0.835	54.1	81.7
	230.0	5.595	1047	1626	41.27	0.799	56.9	81.4
	230.0	5.063	941	1650	38.38	0.754	59.8	80.8
	230.0	4.561	834	1674	34.84	0.694	62.1	79.5
	230.0	4.065	726	1695	30.73	0.620	63.7	77.7
	230.0	3.553	611	1716	26.01	0.531	64.8	74.8
	230.0	3.127	495	1736	20.58	0.425	64.1	68.9
	230.0	2.683	376	1754	14.83	0.310	61.4	61.0
	230.0	2.372	260	1773	8.44	0.178	51.1	47.7
	230.0	2.194	137	1792	1.20	0.026	14.0	27.1
	230.0	2.178	111	1795	0.00	0.000	0.0	22.1

DRAWING NO.	PAGE 3 of 8	REV.
6K490BF		-

Dayton Electric Mfg. Co. Lake Forest, IL 60045 USA

Performance Data



6K490BF

REV.

-



Dayton

Curve Descriptions:

Motor(1) Test 11 Start 230V 60 Hz 4P
2 Line Attempt #1

□ SPEED vs TORQUE

Motor Ratings:

(1) C055KRJ2026 ID: Motor #1

DRAWING NO.	PAGE 4 of 8	REV.
6K490BF		-

Dayton Electric Mfg. Co. Lake Forest, IL 60045 USA

Performance Data



6K490BF	REV. -
----------------	-----------

Dayton Manufacturing Company

Motor Description

Model: C055KRJ2026
Motor ID: Motor #1
Poles: 4
Volts: 115/230&110/220
Frequency: 60
HP: 1/3
Speed: 1725&1425
Phase: 1
Protector: MEJ36RO

Test Conditions

Test Type: Run
Test Number: 13
Poles: 4
Volts: 230
Hz: 60
Rotation:
Special Cond: 2 Line
Speed Conn:
TestBoard: Amps Performance Fixture #1
Run Cap: 0
Start Cap: 0µfd
Tested: 3/21/2012 10:11:12 AM
Gear Ratio: 1:1
Bearing Friction: -0.57 Oz-Ft
Windage Torque: -2.09 Oz-Ft

Special Points	Vline	Iline	Watts	Speed	Tq (Oz-ft)	HP	Eff (%)	PF (%)
	230.0	2.132	107	1789	0.00	0.000	0.0	21.7
	230.0	2.313	244	1770	7.79	0.164	50.3	45.8
	230.0	2.681	387	1751	15.68	0.327	63.1	62.7
0.333 HP	230.0	2.700	392	1750	15.99	0.333	63.3	63.2
16.23 OZ-FT	230.0	2.714	397	1749	16.23	0.338	63.5	63.6
0.45 HP	230.0	3.127	510	1732	21.82	0.450	65.8	71.0
21.91 OZ-FT	230.0	3.134	512	1732	21.91	0.452	65.8	71.0
	230.0	3.189	525	1731	22.44	0.462	65.7	71.5
1725 RPM	230.0	3.332	559	1725	23.96	0.492	65.7	72.9
	230.0	3.663	640	1710	27.67	0.563	65.6	76.0
	230.0	4.227	768	1689	32.92	0.662	64.3	79.0
	230.0	4.766	888	1666	37.33	0.740	62.2	81.0
	230.0	5.320	1000	1642	40.80	0.798	59.5	81.7
	230.0	5.890	1112	1615	43.75	0.841	56.4	82.1
	230.0	6.458	1217	1587	45.92	0.868	53.2	81.9
	230.0	7.023	1319	1556	47.28	0.876	49.5	81.6
	230.0	7.580	1413	1522	48.16	0.873	46.1	81.1
BDT OZ-FT	230.0	8.022	1486	1494	48.52	0.863	43.3	80.5
	230.0	8.127	1501	1486	48.38	0.856	42.5	80.3
	230.0	8.660	1583	1446	47.89	0.824	38.8	79.5
	230.0	9.175	1657	1404	46.67	0.780	35.1	78.5
	230.0	9.660	1722	1356	45.07	0.728	31.5	77.5
	230.0	10.126	1781	1305	42.88	0.666	27.9	76.5
	230.0	10.565	1832	1250	40.44	0.602	24.5	75.4
	230.0	10.974	1876	1190	37.48	0.531	21.1	74.3
	230.0	11.354	1914	1125	34.21	0.458	17.8	73.3
	230.0	11.703	1946	1055	30.59	0.384	14.7	72.3
	230.0	12.018	1969	980	26.93	0.314	11.9	71.2
	230.0	12.299	1989	898	23.39	0.250	9.4	70.3
	230.0	12.554	2005	811	19.08	0.184	6.9	69.4
	230.0	12.781	2016	718	15.03	0.128	4.8	68.6
	230.0	16.170	3272	623	70.90	0.526	12.0	88.0
	230.0	17.382	3818	522	88.26	0.548	10.7	95.5
	230.0	17.513	3853	405	85.92	0.414	8.0	95.6
	230.0	17.568	3859	280	82.68	0.276	5.3	95.5
	230.0	17.598	3860	150	79.87	0.143	2.8	95.4

DRAWING NO.	PAGE 7 of 8	REV.
6K490BF		-

Dayton Electric Mfg. Co. Lake Forest, IL 60045 USA

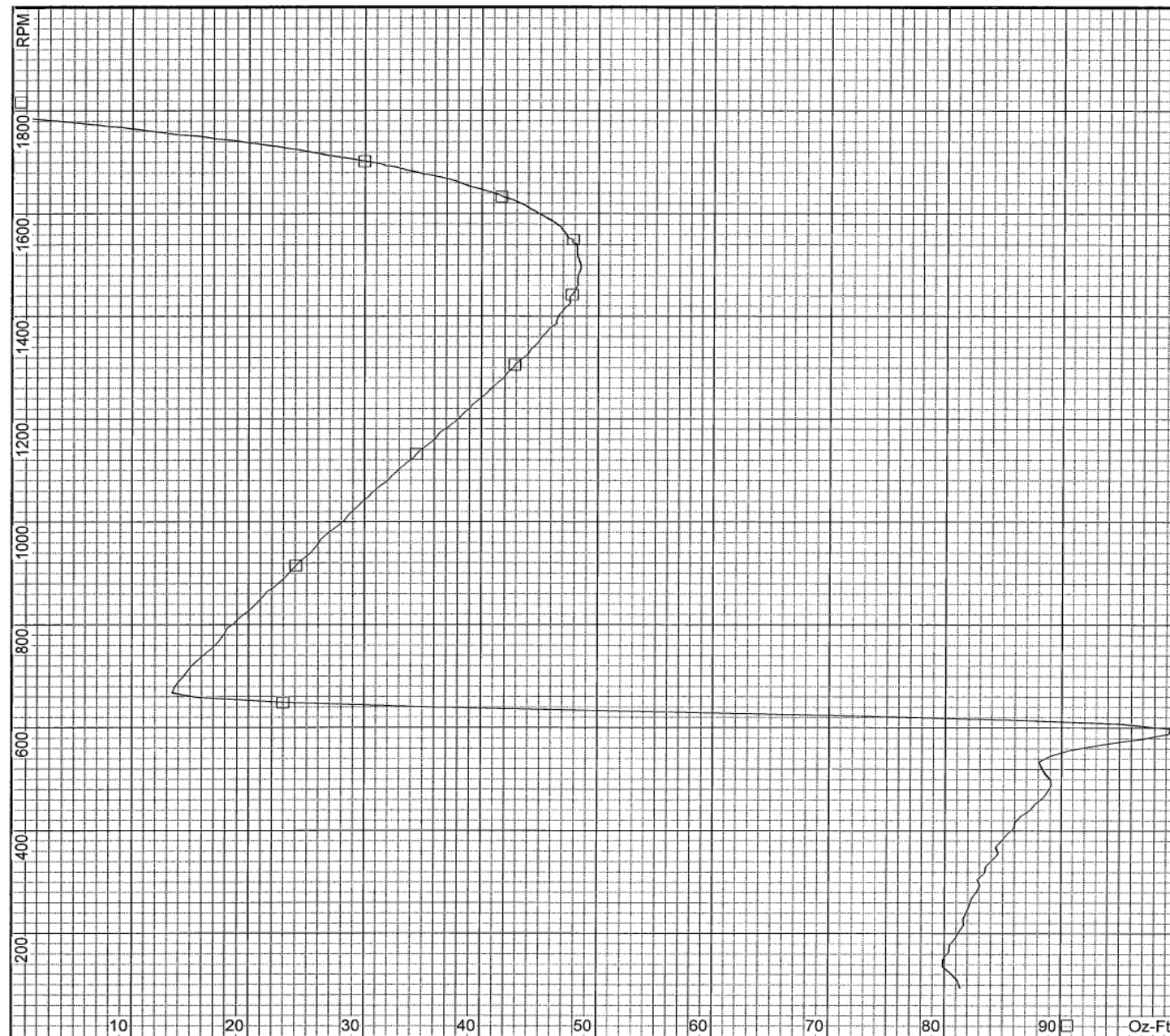
Performance Data



6K490BF

REV.

-



Curve Descriptions:

Motor(1) Test 13 Run 230V 60 Hz 4P
 2 Line Attempt #1
 SPEED vs TORQUE

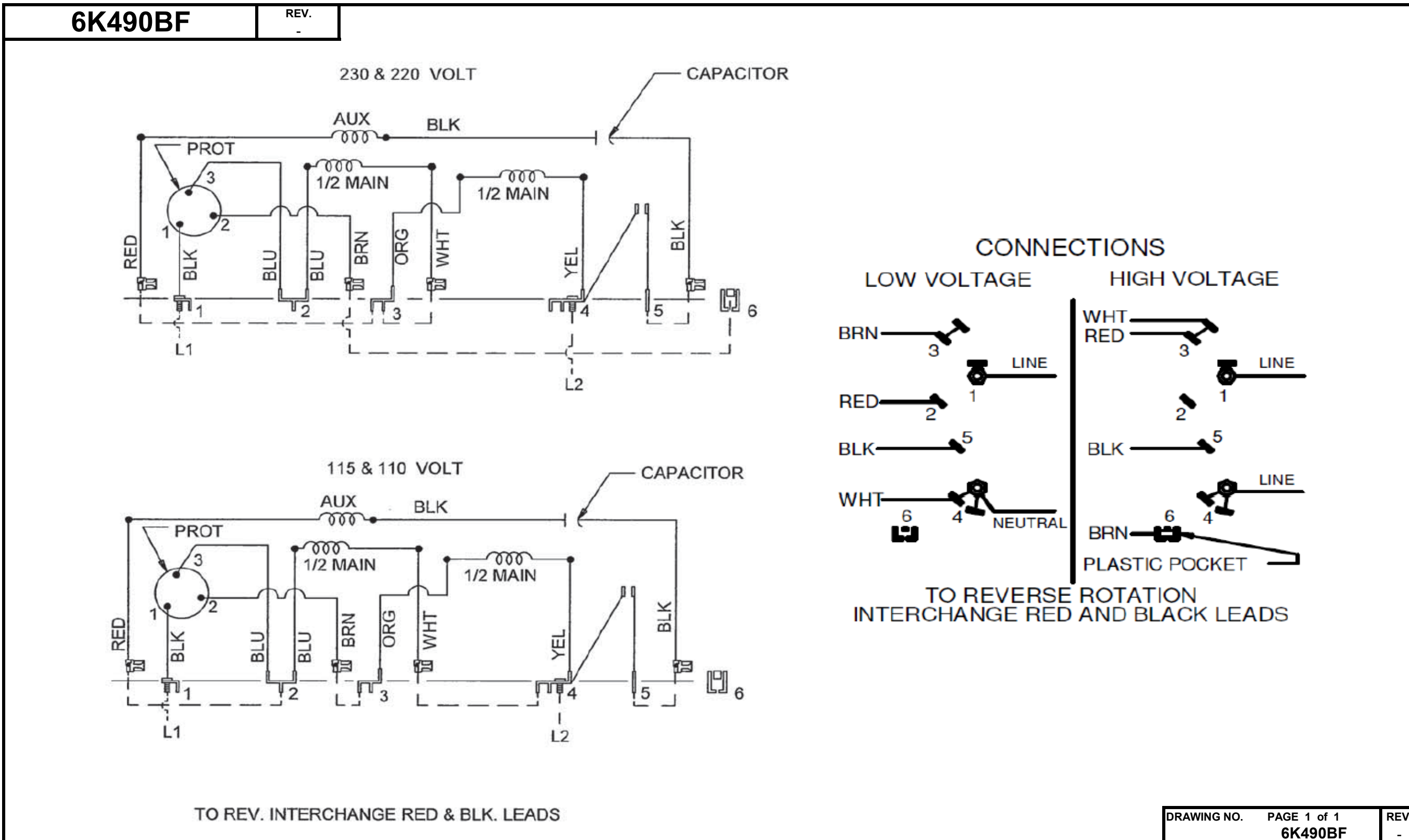
Motor Ratings:

(1) C055KRJ2026 ID: Motor #1

DRAWING NO.	PAGE 8 of 8	REV.
6K490BF		-

Dayton Electric Mfg. Co. Lake Forest, IL 60045 USA

Wiring Diagram



Dayton[®]

BELT DRIVE FAN & BLOWER MOTOR

HP: 1/3

VOLTS: 115/230 & 110/220

AMPS: 5.4/2.7 & 6.2/3.1

RPM: 1725 & 1425

DUTY: CONT

SF: 1.35

KVA CODE: N

ENCL: ODP

THERMALLY PROTECTED: AUTO

MFG. NO. PROT. CODE: 04530

MTR REF: C55JXKRJ-2026

TO SAVE ENERGY REPLACE WITH: 30PT55

Part No 6K490BF



PH: 1

HZ: 60 & 50

FR: 48Z

INS CL: B

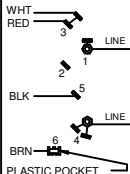
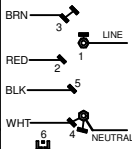
AMB: 40 °C

SFA: 6.2/3.1 & 7.0/3.6

AVG. F.L.
EFF.**Disconnect Power Before Making Any
Electrical Connections or Changes****CONNECTIONS**

LOW VOLTAGE

HIGH VOLTAGE

TO REVERSE ROTATION
INTERCHANGE RED AND BLACK LEADS

Mfd for Dayton Electric Mfg. Co., Lake Forest, IL 60045 USA

Made in Mexico