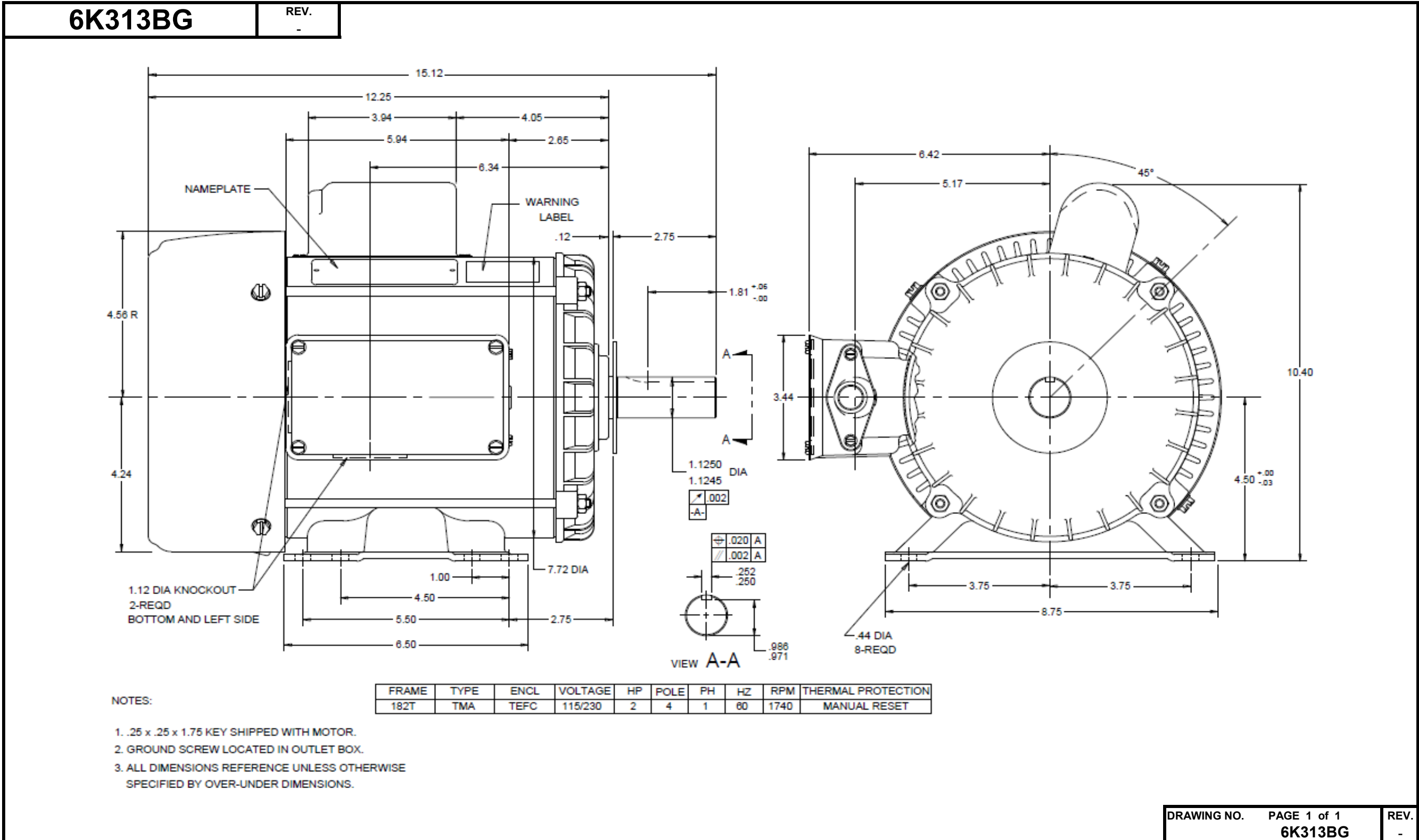


Dimensional Drawing



Performance Data



6K313BG

REV.
X

MOTOR PERFORMANCE

MODEL NO.	SKU NO.	PHASE	TYPE	FRAME
6K313BG	6K313BG	1	SMA	182T

ORDER NO.	NA	LINE NO.
-----------	----	----------

HP:	2	2
POLES:	4	4
HZ:	60	60
SERVICE FACTOR:	1.00	1.00
DUTY CYCLE:	CONTINUOUS	CONTINUOUS
ALTITUDE (FASL) FT:	3300	3300
MAX AMBIENT:	40°C	40°C
ENCLOSURE:	TE	TE
INSULATION CLASS:	F	F
VOLTS:	115	230
EFFICIENCY (%):		
S.F.	-	-
FULL	74.8	74.8
3/4	72.4	72.4
1/2	66.4	66.4
1/4	51.5	51.5
POWER FACTOR (%):		
S.F.	-	-
FULL	73.5	73.5
3/4	63.8	63.8
1/2	52.4	52.4
1/4	36.9	36.9
AMPS:		
S.F.	-	-
FULL	23.6	11.8
3/4	21.1	10.6
1/2	18.7	9.4
1/4	17.1	8.6
NO LOAD	16.3	8.2
LOCKED ROTOR AMPS:	127	63
NEMA CODE LETTER	J	J
NEMA DESIGN LETTER	L	L
FULL LOAD RPM	1740	1740
THERMAL PROTECTION	MANUAL RESET	MANUAL RESET
TORQUES:		
BREAKDOWN{LB-FT}	15.8	15.8
LOCKED ROTOR{LB-FT}	19.9	19.9
FULL LOAD{LB-FT}	5.8	5.8

NEMA Nominal and Guaranteed Efficiencies are up to 3,300 feet above sea level and 25 ° C ambient

DRAWING NO.	PAGE 1 of 2	REV.
	6K313BG	X

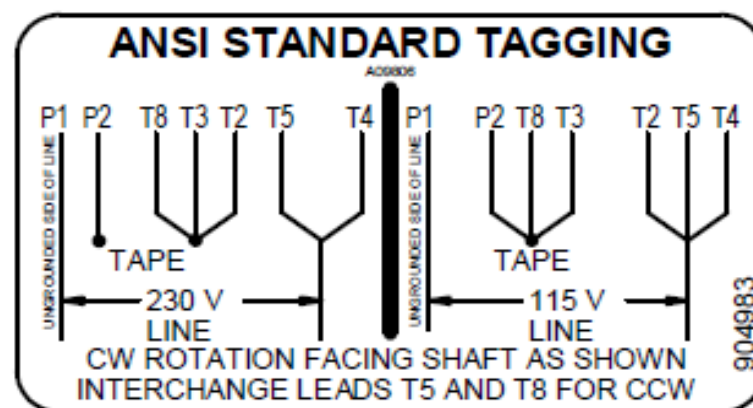
Dayton Electric Mfg. Co. Lake Forest, IL 60045 USA

6K313BG

REV.
0

Motor Wiring Diagram

7 Lead, Dual Voltage (115/230)
Single Phase with Thermal Protection



Clockwise rotation facing shaft as shown.

Interchange leads T5 & T8 for counter-clockwise rotation.

DRAWING NO.	PAGE 1 of 1	REV.
6K313BG		0

Dayton**Farm Duty Motor**

258525

MODEL NO **6K313BG**VOLTS **115/230**HP **2** RPM **1740**AMPS **23.6/11.8**PH **1** FRAME **182T** TYPE **TMA** SFASF **1.0** HZ **60** NEMA DESIGN **L** INSUL CLASS **F**ENCL **TEFC** MAX AMB **40 C** LR KVA CODE **J**THERMALLY PROTECTED **MANUAL RESET**DUTY **CONT** SHAFT END BRG **6206** OPP END BRG **6205**

MOTOR REF

Make sure that voltage, phase and freq of line agrees with values given on this plate. Connect per wiring diagram supplied with motor.

Manufactured for Dayton Electric Mfg. Co., Lake Forest, IL 60045 U.S.A.

Made in Mexico

2040632