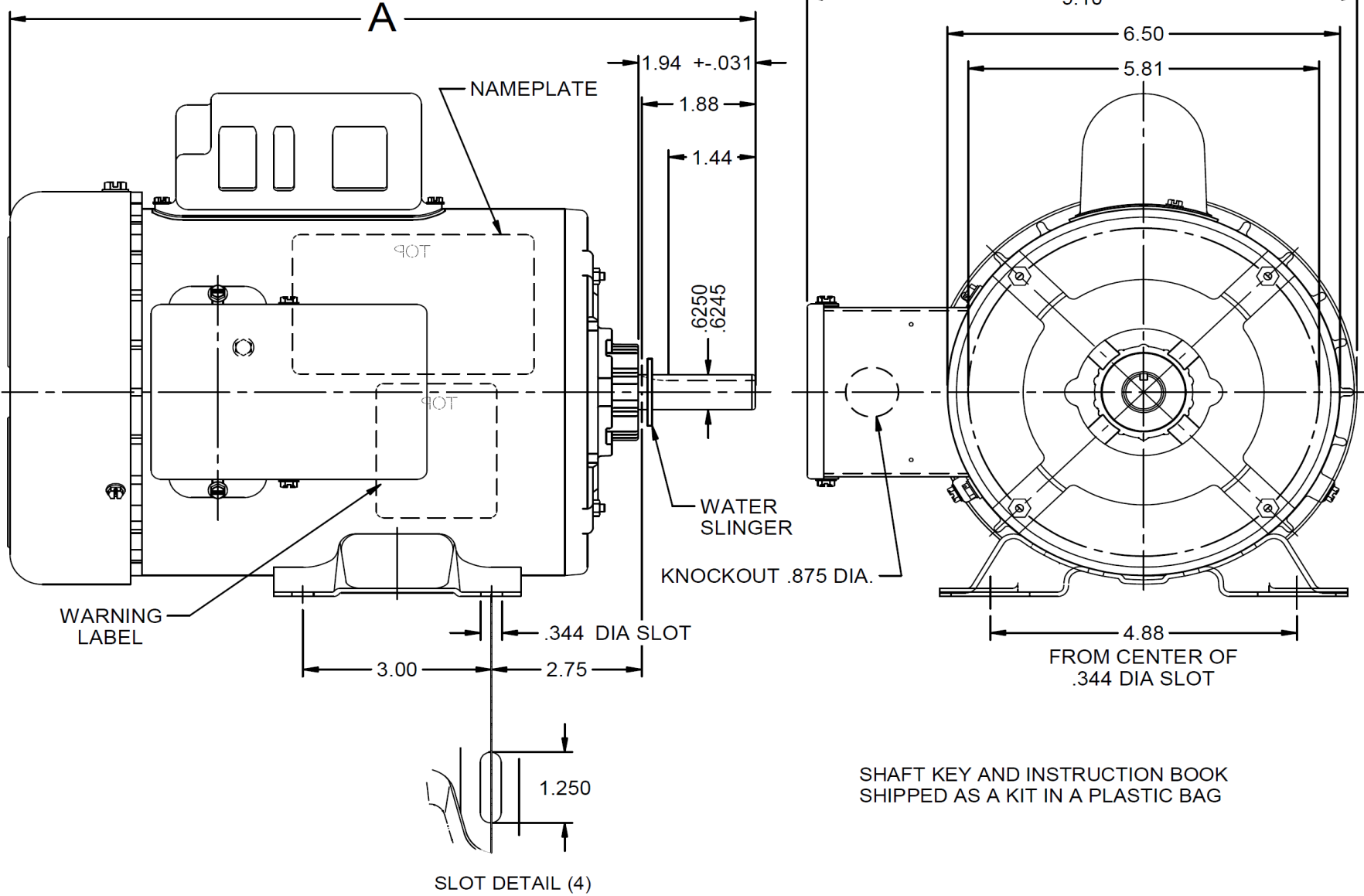
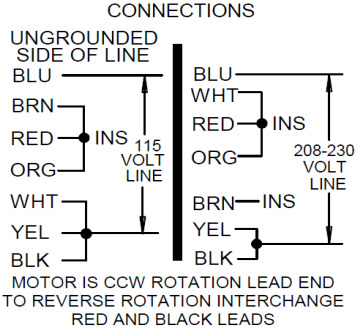
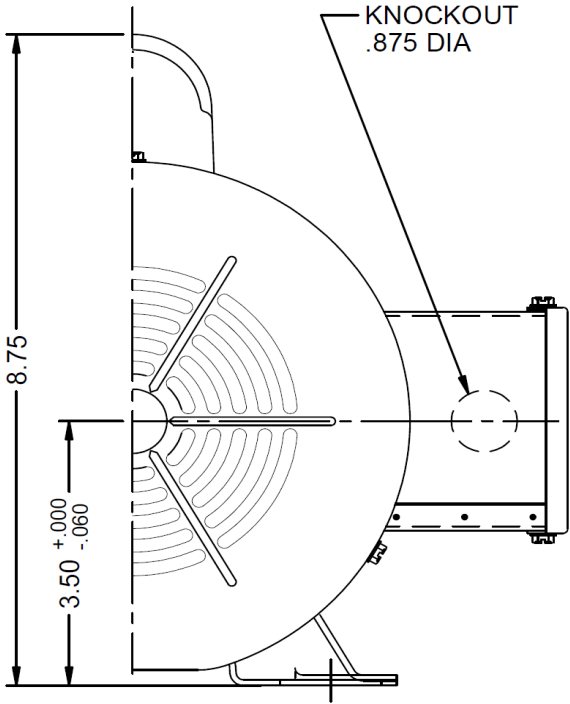


Dimensional Drawing



6K123BG REV. -

VAR	MODEL	CUST. PT. NO.	A	B	C	D	HP	VOLTS	SF	AMPS	HZ	RPM	CONN VOLTS	PROT.	DESCRIPTION / REMARKS
001	C63CXJDA-1314	6K123BG	11.88	--	--	--	3/4	115/208-230	1.15	11.4/5.7-5.7	60	1725	--	AUTO	56, TEFC



DRAWING NO.	PAGE 1 of 1	REV.
6K123BG		-

Performance Data



6K123BG

REV.
-

MOTOR PERFORMANCE

HP:	3/4							
Poles:	4							
No. of Speeds:	1							
Volts:	115/208-230	115	208	230				
HZ:	60	60	60	60				
Service Factor:	1.15							
Efficiency:	@ Rated Load	64.7	64.8	65.0				
Power Factor:	@ Rated Load	67.8	73.6	67.1				
Amps:	@ No Load							
	@ Rated Load	11.1	5.61	5.6				
	@ Service Factor	11.9		6				
	@ Locked Rotor	56.3	25.3	28.4				
RPM:	@ Rated Load	1732	1716	1733				
Ambient (°C):	40							
Altitude (FASL):								
Torques:	Breakdown	85.6	69.4	86.3				
	Locked Rotor	145.4	103.1	128.8				
	Pull-Up	130.9	92.8	115.9				
	Rated Load	36.5	36.5	36.5				
	Service Factor	42		42				
Watts:	Rated Load	868	859	864				
KVA Code:	K	K	H	K				
Temperature Rise:	@ Rated Load	76.5	80.1	77.5				
	@ Service Factor	91.7	n/a	90.1				
Thermal Protector:	Trip Temp (°C)	141	145	146				
Winding Material:	Start (Auxiliary)	Cu	Cu	Cu				
	Run (Main)	Cu	Cu	Cu				
Capacitor(s):	Start (MFD / Volts)	509 / 110V						
	No. of Start Capacitors							
	Run (MFD / Volts)	n/a						
	No. of Run Capacitors							
LOW SPEED PERFORMANCE DATA:								
HP:								
Poles:								
Volts:								
HZ:								
Efficiency:	@ Rated Load							
Power Factor:	@ Rated Load							
Amps:	@ No Load							
	@ Rated Load							
	@ Service Factor							
	@ Locked Rotor							
Torques:	Bead Down							
	Locked Rotor							
	Pull-Up							
	Rated Load							
	Service Factor							
Watts:	@ Rated Load							
Temperature Rise:	@ Rated Load							
	@ Service Factor							

DRAWING NO. PAGE 1 of 1 REV.
6K123BG -

Dayton Electric Mfg. Co. Lake Forest, IL 60045 USA

Performance Data



6K123BG REV.
-

Dayton Manufacturing Company

Motor Description

Model: C063CXJDA131401 / 6K123
 Motor ID: 1
 Poles: 4
 Volts: 115/208-230
 Frequency: 60
 HP: 3/4
 Speed: 1725
 Phase: 1
 Protector: AUTO

Test Conditions

Test Type: Start Run Cap: 0
 Test Number: 1 Start Cap: 509 MFD / 110 VOLTS
 Poles: 4 Environment: 20.5 Deg C 58 % RH 994 hPa
 Volts: 115 Tested: 6/18/2015 2:55:13 PM
 Hz: 60 Tested By: Sharp, Gerald
 Rotation: Gear Ratio: 1:1
 Special Cond: Bearing Friction: -0.55 Oz-Ft
 Speed Conn: Windage Torque: -2.79 Oz-Ft
 TestBoard: Amtps Performance Fixture #3

Special Points	Vline(V)	Iline(A)	Watts	RPM	Tq(Oz-ft)	HP	Eff(%)	PF(%)
	115.0	56.35	6027	13	146.51	0.024	0.3	93.0
PUT OZ-FT	115.0	56.34	6031	12	145.40	0.021	0.3	93.1
	115.0	56.32	6020	40	146.78	0.070	0.9	92.9
	115.0	56.00	5988	188	148.00	0.331	4.1	93.0
	115.0	55.67	5965	344	150.02	0.614	7.7	93.2
	115.0	55.23	5937	483	152.28	0.875	11.0	93.5
	115.0	55.02	5926	610	157.02	1.140	14.4	93.6
	115.0	55.17	5966	727	161.80	1.400	17.5	94.0
	115.0	55.06	5995	832	166.86	1.653	20.6	94.7
	115.0	54.81	6001	927	169.78	1.874	23.3	95.2
	115.0	54.52	6002	1014	172.68	2.085	25.9	95.7
	115.0	54.18	5995	1096	174.30	2.274	28.3	96.2
	115.0	53.85	5988	1169	173.95	2.421	30.2	96.7
	115.0	53.51	5970	1237	171.99	2.533	31.6	97.0
	115.0	53.19	5963	1298	168.51	2.603	32.6	97.5
	115.0	52.86	5944	1353	163.14	2.628	33.0	97.8
	115.0	52.50	5929	1404	156.45	2.614	32.9	98.2
	115.0	51.20	5747	1449	142.81	2.464	32.0	97.6
	115.0	27.03	2569	1477	84.19	1.480	43.0	82.6
	115.0	24.90	2370	1521	81.25	1.472	46.3	82.8
	115.0	22.79	2169	1561	78.49	1.459	50.2	82.8
	115.0	20.70	1963	1597	74.28	1.412	53.7	82.5
	115.0	18.68	1759	1627	69.64	1.349	57.2	81.9
	115.0	16.81	1557	1655	63.70	1.255	60.1	80.5
	115.0	15.08	1364	1679	56.69	1.133	62.0	78.6
	115.0	13.31	1153	1704	48.51	0.984	63.6	75.3
	115.0	11.78	951	1725	39.58	0.813	63.7	70.2
	115.0	10.51	760	1745	30.36	0.631	61.9	62.9
	115.0	9.31	541	1766	18.74	0.394	54.3	50.5
	115.0	8.54	334	1784	7.16	0.152	34.0	34.0
	115.0	8.36	200	1799	0.00	0.000	0.0	20.8

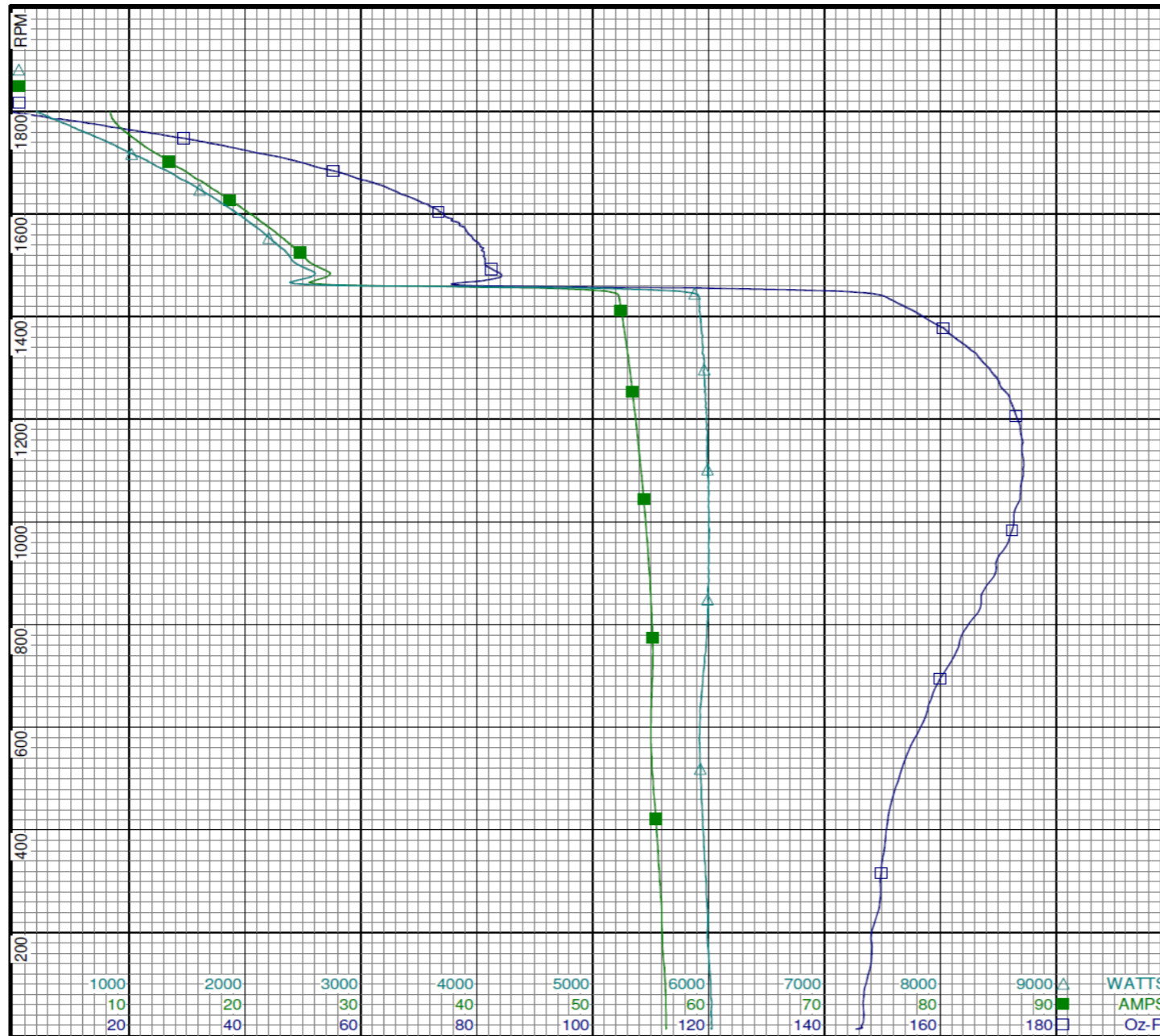
DRAWING NO. PAGE 1 of 8 REV.
 6K123BG -

Dayton Electric Mfg. Co. Lake Forest, IL 60045 USA

Performance Data



6K123BG REV. -



Dayton

Curve Descriptions:
Motor(1) Test 1 Start 115V 60 Hz 4P

- SPEED vs TORQUE
- SPEED vs ILine
- △ SPEED vs WATTS

Motor Ratings:
(1) C063CXJDA528501 / 6K123

DRAWING NO. PAGE 2 of 8 REV.
6K123BG -

Dayton Electric Mfg. Co. Lake Forest, IL 60045 USA

Performance Data



6K123BG	REV. -
----------------	-----------

Dayton Manufacturing Company

Motor Description

Model: C063CXJDA131401 / 6K123
Motor ID: 1
Poles: 4
Volts: 115/208-230
Frequency: 60
HP: 3/4
Speed: 1725
Phase: 1
Protector: AUTO

Test Conditions

Test Type: Run
Test Number: 2
Poles: 4
Volts: 115
Hz: 60
Rotation:
Special Cond:
Speed Conn:
TestBoard:

Run Cap: 0
Start Cap: 509 MFD / 110 VOLTS
Environment: 20.5 Deg C 58 % RH 994 hPa
Tested: 6/18/2015 2:54:10 PM
Tested By: Sharp, Gerald
Gear Ratio: 1:1
Bearing Friction: -0.59 Oz-Ft
Windage Torque: -2.80 Oz-Ft
Amps Performance Fixture #3

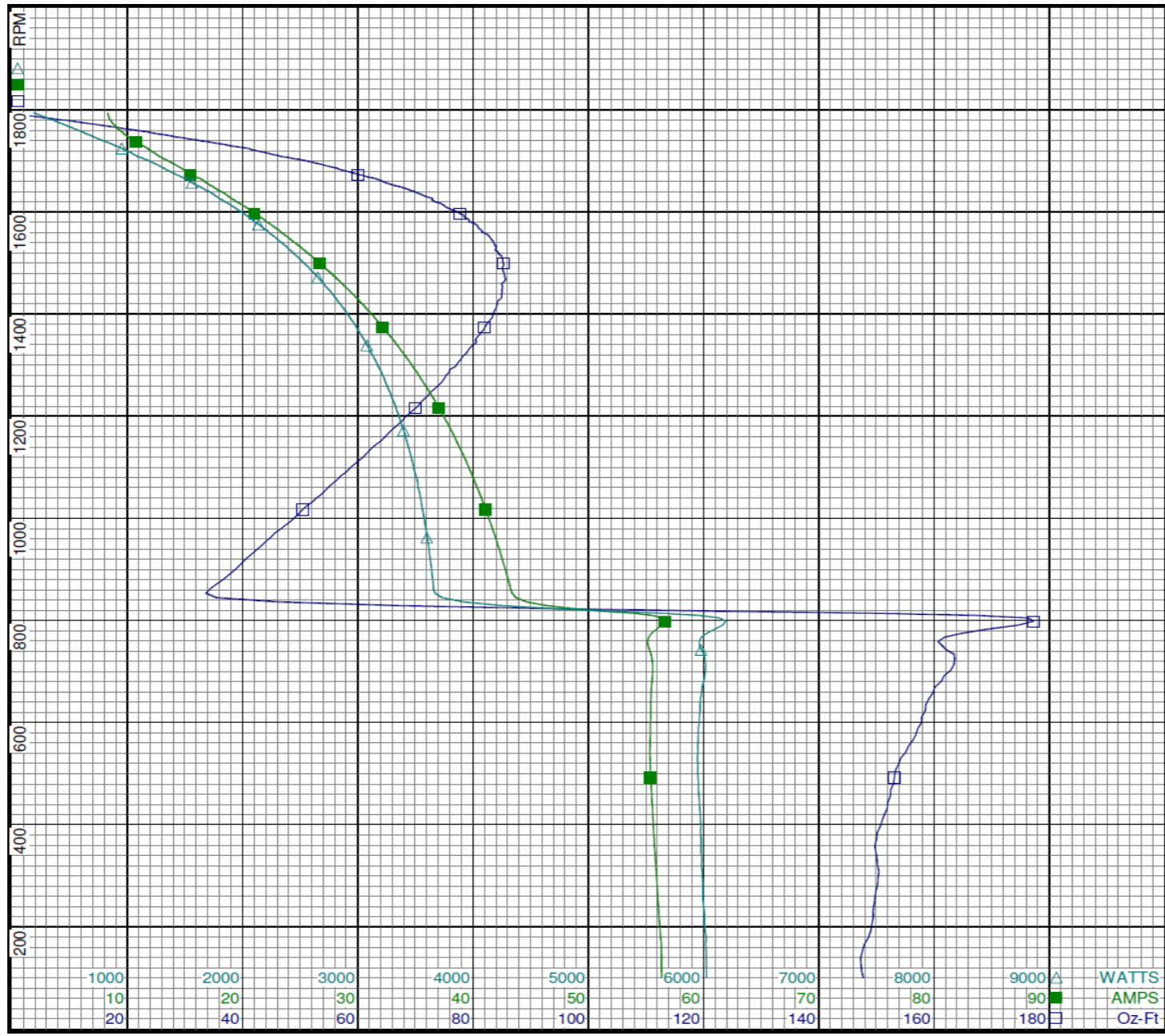
Special Points	Vline (V)	Iline (A)	Watts	RPM	Tq(Oz-ft)	HP	Eff(%)	PF(%)
	115.0	8.30	187	1794	0.00	0.000	0.0	19.6
	115.0	8.67	404	1775	12.03	0.254	46.9	40.5
	115.0	9.60	625	1754	24.24	0.506	60.4	56.6
	115.0	10.89	835	1735	34.86	0.720	64.3	66.7
36.5 OZ-FT	115.0	11.14	868	1732	36.50	0.753	64.7	67.8
0.75 HP	115.0	11.12	865	1733	36.36	0.750	64.7	67.7
42 OZ-FT	115.0	11.95	983	1721	42.00	0.860	65.3	71.5
	115.0	12.33	1033	1715	44.07	0.900	65.0	72.8
	115.0	14.13	1255	1693	53.76	1.083	64.4	77.3
	115.0	15.92	1467	1668	61.69	1.225	62.3	80.1
	115.0	17.72	1663	1645	68.48	1.341	60.2	81.6
	115.0	19.64	1864	1618	74.08	1.427	57.1	82.6
	115.0	21.69	2067	1587	78.83	1.489	53.7	82.9
	115.0	23.53	2242	1557	82.30	1.525	50.7	82.9
	115.0	25.52	2430	1521	84.24	1.526	46.8	82.8
	115.0	27.47	2602	1484	85.20	1.505	43.1	82.4
BDT OZ-FT	115.0	28.23	2666	1468	85.62	1.496	41.9	82.1
	115.0	29.40	2768	1442	85.03	1.460	39.4	81.9
	115.0	31.25	2915	1398	83.42	1.388	35.5	81.1
	115.0	33.06	3053	1349	80.42	1.291	31.6	80.3
	115.0	34.77	3179	1297	76.90	1.187	27.9	79.5
	115.0	36.41	3290	1240	72.11	1.064	24.1	78.6
	115.0	37.96	3387	1178	66.43	0.932	20.5	77.6
	115.0	39.39	3471	1111	60.01	0.794	17.1	76.6
	115.0	40.72	3545	1040	52.84	0.654	13.8	75.7
	115.0	41.94	3600	962	44.81	0.513	10.6	74.6
	115.0	43.04	3650	879	36.48	0.382	7.8	73.7
	115.0	55.57	5964	810	167.46	1.614	20.2	93.3
	115.0	55.43	6002	734	163.45	1.428	17.7	94.2
	115.0	55.41	5969	623	158.46	1.175	14.7	93.7
	115.0	55.37	5949	506	153.26	0.923	11.6	93.4
	115.0	55.67	5973	384	150.14	0.687	8.6	93.3
	115.0	56.02	5992	257	149.73	0.457	5.7	93.0
	115.0	56.36	6024	125	147.30	0.219	2.7	92.9

DRAWING NO.	PAGE 3 of 8	REV.
	6K123BG	-

Performance Data



6K123BG REV. -



Dayton

Curve Descriptions:
Motor(1) Test 2 Run 115V 60 Hz 4P

- SPEED vs TORQUE
- SPEED vs ILine
- △ SPEED vs WATTS

Motor Ratings:
(1) C063CXJDA528501 / 6K123

DRAWING NO.	PAGE 4 of 8	REV.
6K123BG		-

Dayton Electric Mfg. Co. Lake Forest, IL 60045 USA

Performance Data



6K123BG REV.
-

Dayton Manufacturing Company

Motor Description

Model: C063CXJDA131401 / 6K123
 Motor ID: 1
 Poles: 4
 Volts: 115/208-230
 Frequency: 60
 HP: 3/4
 Speed: 1725
 Phase: 1
 Protector: AUTO

Test Conditions

Test Type: Start Run Cap: 0
 Test Number: 7 Start Cap: 509 MFD / 110 VOLTS
 Poles: 4 Environment: 20.3 Deg C 64 % RH 995 hPa
 Volts: 230 Tested: 6/18/2015 9:58:14 AM
 Hz: 60 Tested By: Sharp, Gerald
 Rotation: Gear Ratio: 1:1
 Special Cond: Bearing Friction: -0.59 Oz-Ft
 Speed Conn: Windage Torque: -2.84 Oz-Ft
 TestBoard: Amtps Performance Fixture #3

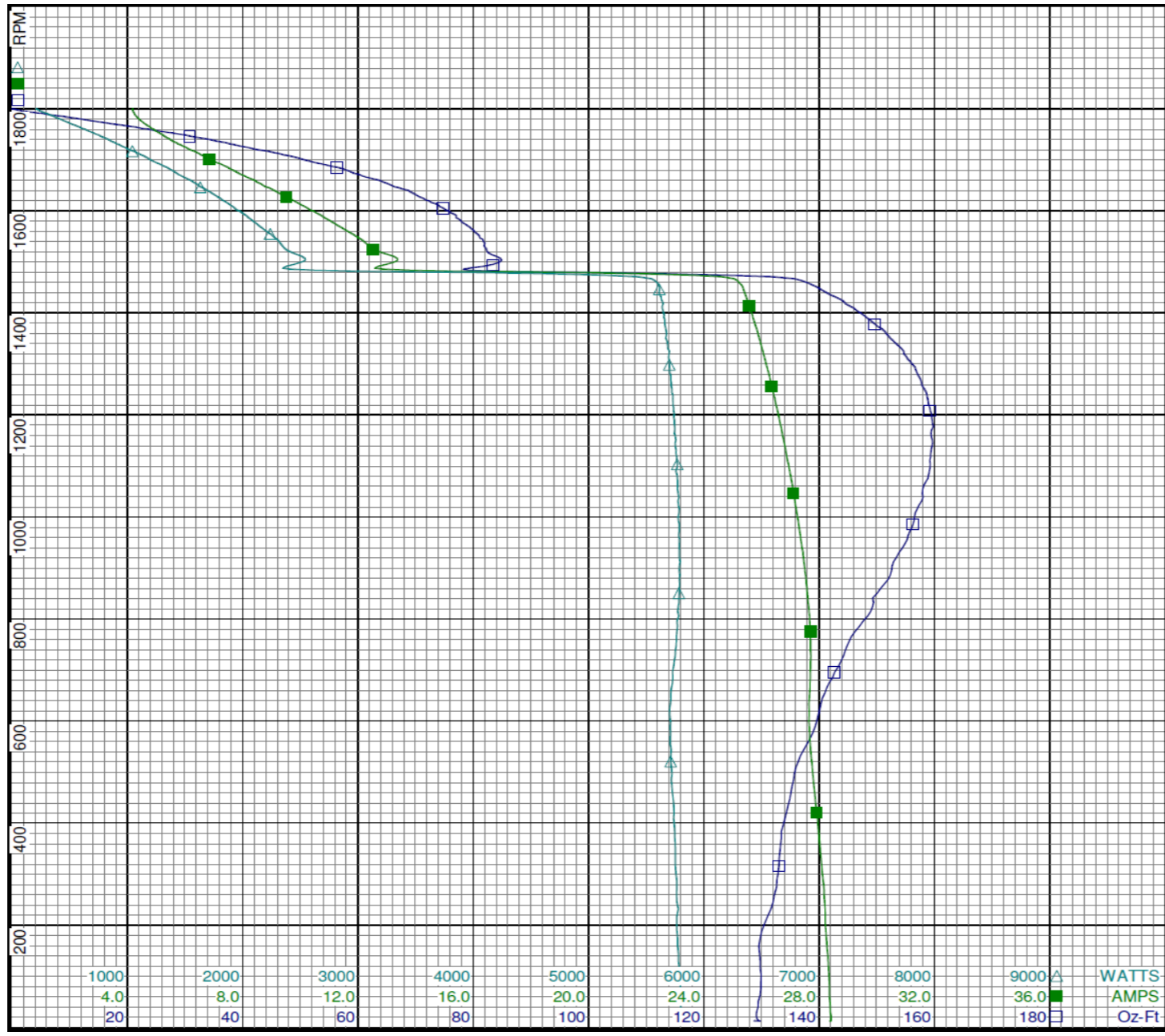
Special Points	Vline (V)	Iline (A)	Watts	RPM	Tq(Oz-ft)	HP	Eff (%)	PF (%)
PUT OZ-FT	230.0	28.38	5799	13	128.77	0.019	0.2	88.9
	230.0	28.38	5799	13	128.77	0.019	0.2	88.9
	230.0	28.38	5800	40	129.41	0.061	0.8	88.9
	230.0	28.23	5766	188	130.00	0.290	3.8	88.8
	230.0	28.04	5752	343	133.18	0.544	7.1	89.2
	230.0	27.80	5717	484	135.57	0.782	10.2	89.4
	230.0	27.65	5705	612	139.85	1.018	13.3	89.7
	230.0	27.71	5750	727	144.23	1.249	16.2	90.2
	230.0	27.62	5783	832	149.43	1.480	19.1	91.0
	230.0	27.44	5789	930	153.88	1.703	22.0	91.7
	230.0	27.21	5785	1016	157.04	1.900	24.5	92.5
	230.0	26.95	5767	1097	159.21	2.078	26.9	93.0
	230.0	26.70	5746	1170	159.48	2.222	28.8	93.6
	230.0	26.43	5732	1238	158.71	2.339	30.4	94.3
	230.0	26.16	5702	1298	156.19	2.414	31.6	94.8
	230.0	25.89	5674	1355	151.95	2.451	32.2	95.3
	230.0	25.63	5646	1404	146.49	2.449	32.4	95.8
	230.0	25.34	5617	1451	139.59	2.411	32.0	96.4
	230.0	13.76	2612	1483	79.09	1.397	39.9	82.5
	230.0	12.67	2397	1521	82.33	1.491	46.4	82.2
	230.0	11.60	2197	1561	80.09	1.488	50.5	82.3
	230.0	10.54	1990	1596	76.09	1.446	54.2	82.1
	230.0	9.52	1783	1627	70.72	1.370	57.3	81.5
	230.0	8.55	1582	1655	64.75	1.275	60.1	80.4
	230.0	7.63	1377	1680	57.76	1.155	62.6	78.5
	230.0	6.77	1173	1703	49.52	1.004	63.9	75.3
	230.0	5.98	964	1725	40.19	0.825	63.9	70.1
	230.0	5.33	783	1744	31.70	0.658	62.7	63.9
	230.0	4.73	562	1766	20.24	0.425	56.5	51.7
	230.0	4.29	342	1786	7.66	0.163	35.5	34.7
	230.0	4.18	207	1800	0.00	0.000	0.0	21.6

DRAWING NO. PAGE 5 of 8 REV.
6K123BG -

Performance Data



6K123BG REV. -



Dayton[®]

Curve Descriptions:
Motor(1) Test 7 Start 230V 60 Hz 4P

- SPEED vs TORQUE
- SPEED vs ILine
- △ SPEED vs WATTS

Motor Ratings:
(1) C063CXJDA528501 / 6K123

DRAWING NO.	PAGE 6 of 8	REV.
6K123BG		-

Dayton Electric Mfg. Co. Lake Forest, IL 60045 USA

Performance Data



6K123BG REV.
-

Dayton Manufacturing Company

Motor Description

Model: C063CXJDA131401 / 6K123
 Motor ID: 1
 Poles: 4
 Volts: 115/208-230
 Frequency: 60
 HP: 3/4
 Speed: 1725
 Phase: 1
 Protector: AUTO

Test Conditions

Test Type: Run Run Cap: 0
 Test Number: 8 Start Cap: 509 MFD / 110 VOLTS
 Poles: 4 Environment: 20.3 Deg C 64 % RH 995 hPa
 Volts: 230 Tested: 6/18/2015 9:47:57 AM
 Hz: 60 Tested By: Sharp, Gerald
 Rotation: Gear Ratio: 1:1
 Special Cond: Bearing Friction: -0.64 Oz-Ft
 Speed Conn: Windage Torque: -2.95 Oz-Ft
 TestBoard: Amtps Performance Fixture #3

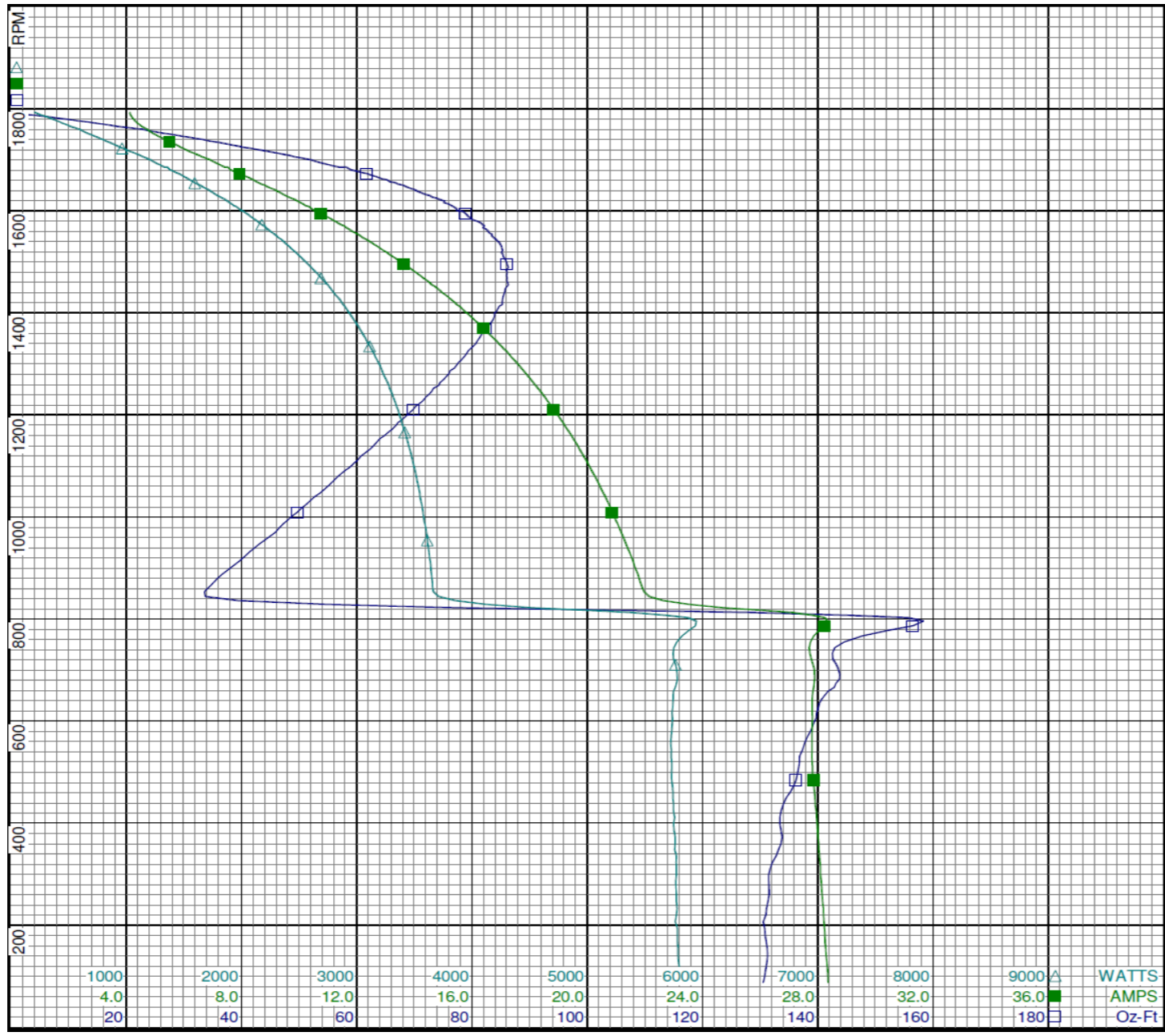
Special Points	Vline (V)	Iline (A)	Watts	RPM	Tq(Oz-ft)	HP	Eff (%)	PF (%)
	230.0	4.12	202	1792	0.00	0.000	0.0	21.3
	230.0	4.35	423	1774	13.24	0.280	49.3	42.3
	230.0	4.85	638	1754	25.18	0.526	61.5	57.2
	230.0	5.56	854	1734	35.98	0.743	64.9	66.8
36.5 OZ-FT	230.0	5.60	864	1733	36.50	0.753	65.0	67.1
0.75 HP	230.0	5.59	861	1733	36.35	0.750	65.0	67.0
42 OZ-FT	230.0	6.00	979	1721	42.00	0.861	65.6	70.9
	230.0	6.27	1054	1714	45.40	0.927	65.6	73.1
	230.0	7.16	1268	1692	54.30	1.094	64.4	77.0
	230.0	8.15	1497	1667	63.22	1.255	62.5	79.9
	230.0	9.10	1704	1642	69.76	1.364	59.7	81.4
	230.0	10.04	1895	1616	75.11	1.445	56.9	82.1
	230.0	11.05	2096	1585	79.82	1.507	53.6	82.5
	230.0	12.03	2285	1554	83.41	1.543	50.4	82.6
	230.0	13.03	2470	1519	85.07	1.538	46.5	82.4
BDT OZ-FT	230.0	13.83	2608	1488	86.28	1.529	43.7	82.0
	230.0	14.02	2641	1480	86.09	1.517	42.9	81.9
	230.0	14.99	2805	1438	85.60	1.465	39.0	81.3
	230.0	15.92	2950	1394	83.92	1.393	35.2	80.6
	230.0	16.84	3085	1345	80.90	1.295	31.3	79.6
	230.0	17.70	3209	1292	76.97	1.184	27.5	78.8
	230.0	18.53	3316	1234	71.93	1.057	23.8	77.8
	230.0	19.30	3410	1171	66.16	0.923	20.2	76.8
	230.0	20.02	3489	1105	59.51	0.783	16.7	75.8
	230.0	20.68	3554	1033	52.01	0.640	13.4	74.7
	230.0	21.29	3612	954	44.05	0.500	10.3	73.8
	230.0	21.84	3654	871	35.15	0.365	7.4	72.7
	230.0	28.25	5878	802	155.75	1.487	18.9	90.5
	230.0	27.88	5775	701	143.59	1.198	15.5	90.1
	230.0	27.81	5735	616	139.78	1.025	13.3	89.7
	230.0	27.82	5730	496	136.45	0.806	10.5	89.5
	230.0	28.01	5761	373	133.80	0.593	7.7	89.4
	230.0	28.17	5774	246	131.34	0.385	5.0	89.1
	230.0	28.33	5801	112	130.92	0.175	2.3	89.0

DRAWING NO. PAGE 7 of 8 REV.
6K123BG -

Performance Data



6K123BG REV. -



Dayton

Curve Descriptions:
Motor(1) Test 8 Run 230V 60 Hz 4P

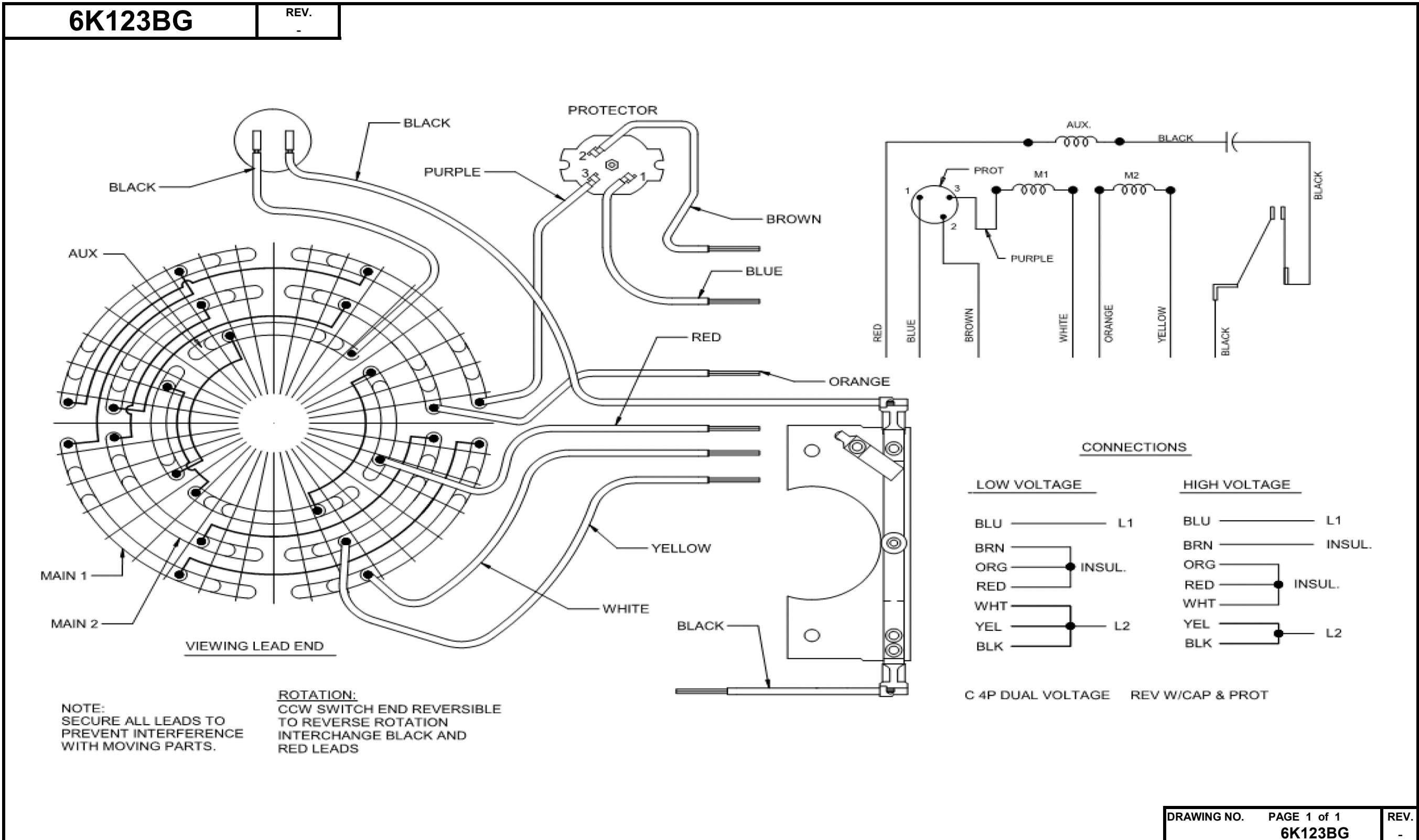
- SPEED vs TORQUE
- SPEED vs ILine
- △ SPEED vs WATTS

Motor Ratings:
(1) C063CXJDA528501 / 6K123

DRAWING NO.	PAGE 8 of 8	REV.
6K123BG		-

Dayton Electric Mfg. Co. Lake Forest, IL 60045 USA

Wiring Diagram



Dayton[®]

CAP START GENERAL PURPOSE

HP: 3/4

VOLTS: 115/208-230

AMPS: 11.4/5.7-5.7

RPM: 1725

DUTY: CONT

SF: 1.15

KVA CODE: L

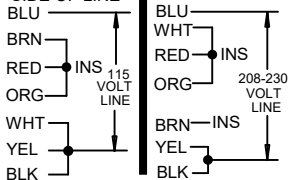
ENCL: TEFC

THERMALLY PROTECTED: AUTO

MFG. NO. PROT. CODE: AVG. F.L.
EFF. 69

MTR REF: C63CXJDA-1314

S.F. AT 208 VOLTS IS 1.0

Part
No 6K123BG**Disconnect Power Before Making Any
Electrical Connections or Changes****CONNECTIONS**UNGROUND
SIDE OF LINEMOTOR IS CCW ROTATION LEAD END
TO REVERSE ROTATION INTERCHANGE
RED AND BLACK LEADS

E37403



156060

Mfd for Dayton Electric Mfg. Co., Lake Forest, IL 60045 USA

Made in Mexico