



T167 PROPORTIONAL THERMOSTAT

SMART ENERGY MANAGEMENT



HIGHLIGHTS

- Stand Alone Proportional Control
- Dual 0-10 VDC Modulating Outputs
- Operates at 50 or 60 Hz
- Continuous Fan Operation
- Three Fan Speeds Available
- Auto or Manual Changeover Available

Industry's Best Value in Proportional Control

With dual, fully proportional modulating outputs and available universal voltage fan control, the T167 offers outstanding functionality at a value price point.

BAS Functionality Without the Expense and Complexity

Implement sophisticated BAS-like control of modulated devices with the PECO T167. As easy to install as it is intuitive to operate, the T167 replaces far more costly and complex systems.

Full Application Flexibility

Utilize the dual proportional outputs of the T167 to control valves and dampers. Capable of local or remote sensing, manual or auto changeover, and fan control from 24VAC to 277VAC, the T167 helps you meet the broadest range of modulating applications.

T167 PROPORTIONAL THERMOSTAT

TECHNICAL SPECIFICATIONS

Temperature Range	50-90°F / 10-32°C
Maximum Ambient	130°F / 54°C
Load Connections	Terminal Blocks
Mounting	Installs on a standard 2" x 4" (50.8mm x 101.6mm) vertical device box
Agency Approvals	UL, UL Canada, CE
Proportional Bandwidth	2°F / 1°C



WIRING DIAGRAM

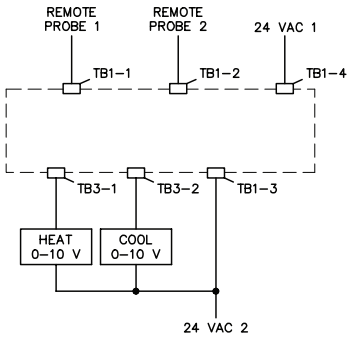
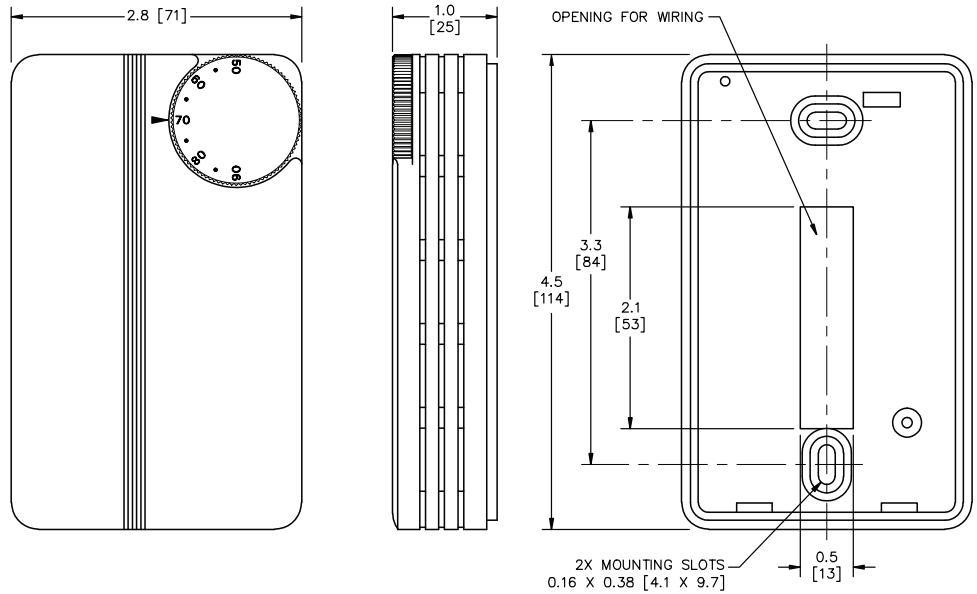


FIGURE 1
WIRING DIAGRAM SHOWING TYPICAL CONNECTIONS

MOUNTING INSTRUCTIONS



MODEL SELECTION GUIDE

Model	Part Number	Description
TA167-006	68428	Proportional Thermostat With Auto Changeover
TA167-007	68609	Proportional Thermostat With Manual Changeover and Universal Fan Control



Automation and Controls
Division of PECO, Inc.
PO Box 82189, Portland, OR 97282

Phone: 800-874-8547 / 503-233-6401
Email: sales@pecomanufacturing.com
www.pecomanufacturing.com