

Straight Blade Devices  
 15A, 125V, 2 Pole, 3 Wire Grounding  
 4-PLEX® Receptacles

# HUBBELL

## Features

- Triangle marking on face indicates isolated ground
- Anchor hole and loop feature secures solid wire for fast, easy terminations
- Triple wipe contacts
- Easily accessible break-off tabs for split wiring
- Three conductors energize all four outlets

## Ordering Information

Description	Device Color	UPC	Catalog Number
Isolated ground, 4-PLEX receptacle	Orange	783585422251	IG415

## Listings

Listed to UL Standard 498 File E2186  
 Certified to CSA 22.2, No. 42 File 285  
 NEMA® WD-6 Compliant

## Specifications

Face	Polycarbonate
Base	PBT
Power Contacts	.032 in. (.8) Brass
Ground Contacts	.031 in. (.8) Brass
Ground Plate	.032 in. (.8) Plated Steel

## Performance

### Electrical

Current Interrupting Capable of withstanding a fault level of 1000A, per UL498

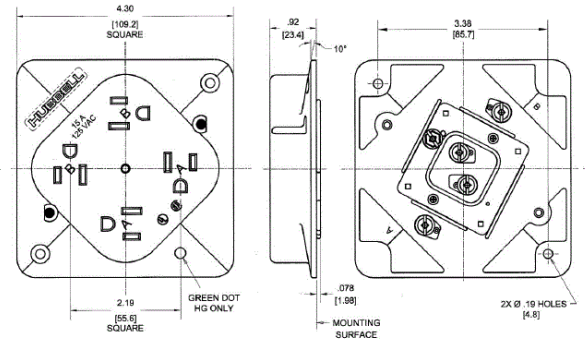
Dielectric Voltage Withstands 2,000V minimum

### Mechanical

Product Identification Ratings are a permanent part of the device  
 Terminal Accommodation #14-12 AWG stranded or solid copper conductor only  
 Terminal Identification Terminals identified in accordance with UL 498 and CSA

### Environmental

Flammability UL 94 V-2  
 Operating Temperatures Maximum continuous 75°C; minimum -40°C (w/o impact)



## Accessories

4-PLEX Adapter Plate HBL4APO

## Resources

Customer Use Drawing  
 eCatalog

Dimensions in Inches (mm)

Hubbell Wiring Device-Kellems • Hubbell Incorporated (Delaware) • 40 Waterview Drive • Shelton, CT 06484

Phone (800) 288-6000 • Fax (800) 255-1031 • Specifications subject to change without notice.

