

Wallplates
Weatherproof Covers

HUBBELL

Vertical, for FS/FD Box Mounting

Ordering Information

Description	Color	Catalog Number	UPC
For receptacles with face diameters of 1.36-1.39" (34.5-35.3), suitable for wet	Gray	HBL7423WO	783585809441

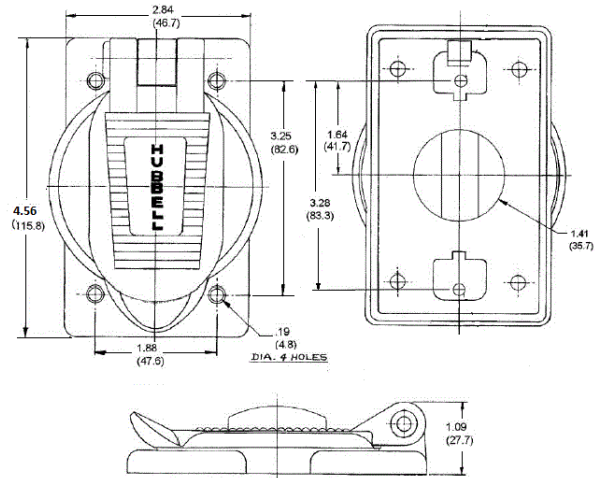


Listings

UL Listed
CSA Certified

Specifications

Material	Thermoplastic
Gasket	Neoprene
Spring	Stainless steel
Hinge Pin	Stainless steel



Online Resources

Customer Use Drawing
eCatalog
Installation Instructions

Dimensions in Inches (mm)

Hubbell Wiring Device-Kellems • Hubbell Incorporated (Delaware) • 40 Waterview Drive • Shelton, CT 06484

Phone (800) 288-6000 • Fax (800) 255-1031 • Specifications subject to change without notice.

