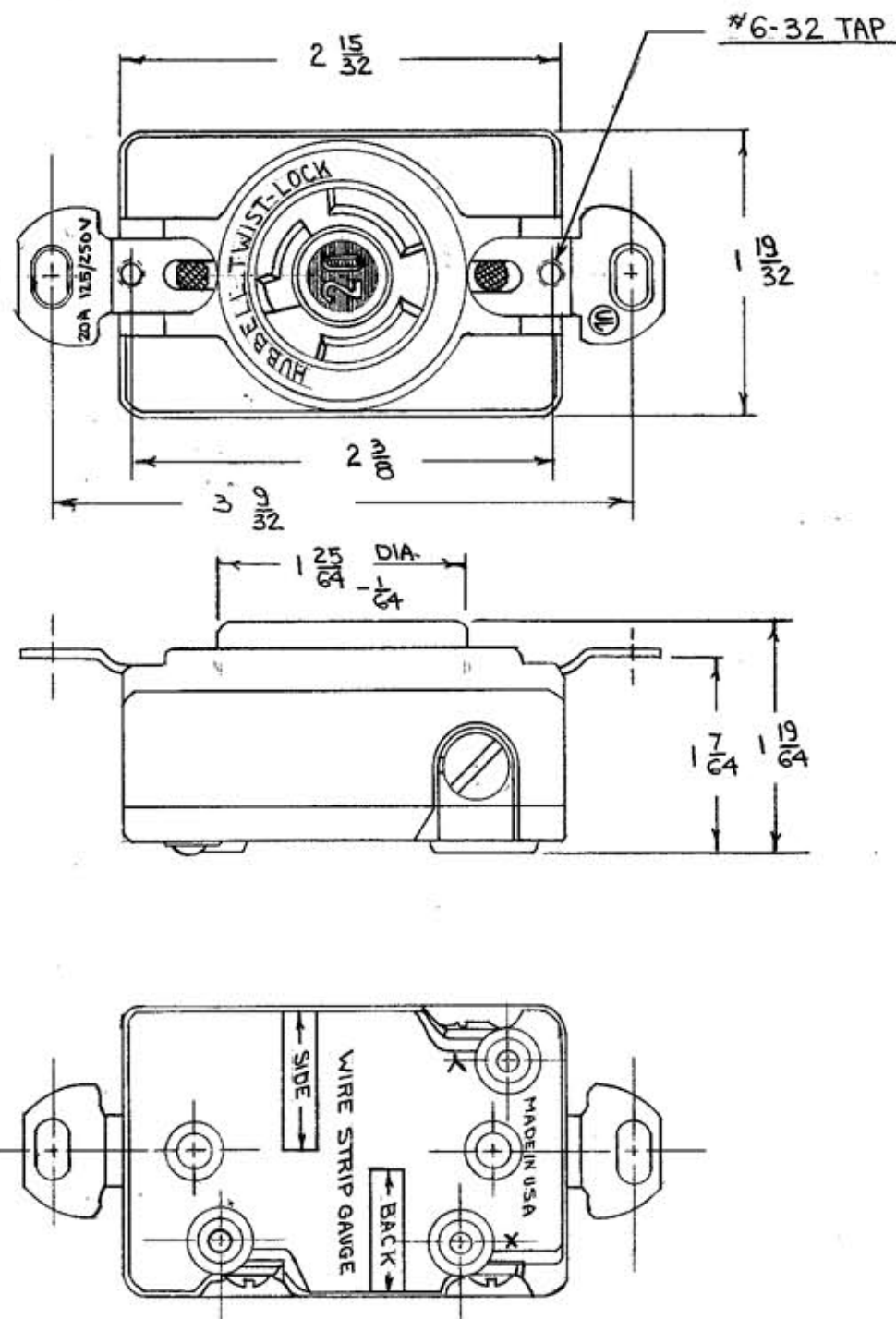


M-3634



LIST OF PARTS

DESCRIPTION	MATERIAL	FINISH
BODY AND BASE	BAKELITE	BLACK
BINDING PLATES	.040 BRASS	WHITE
CONTACT SPRINGS	.031 BRONZE	
WIRE CLAMPS	.062 C.R.S.	ZINC PLATE
BINDING SCREWS	BRASS	WHITE
END PLATES	.050 C.R.S.	ZINC PL.

DIMENSION SHEET FOR CAT. NO. 7310-B

REPAIRABLE NON-REPAIRABLE

SYM	REVISIONS	APP	DATE

B
M-3634

SUPERSEDES DWG DATED 2-16-60

TITLE
20-A 125/250V 3 WIRE TWIST-LOCK
OUTLET, SIDE AND BACK WIRED.

TOLERANCES UNLESS OTHERWISE SPECIFIED
FRACTIONS ± 1/64
DECIMALS ± .005
ANGLES ± 2°

HARVEY HUBBELL, INC.
BRIDGEPORT, CONN.

DR. BY R.D.T. APP. BY
TR. BY SCALE FULL
CHK'D. BY ASM. DATE 5-17-66