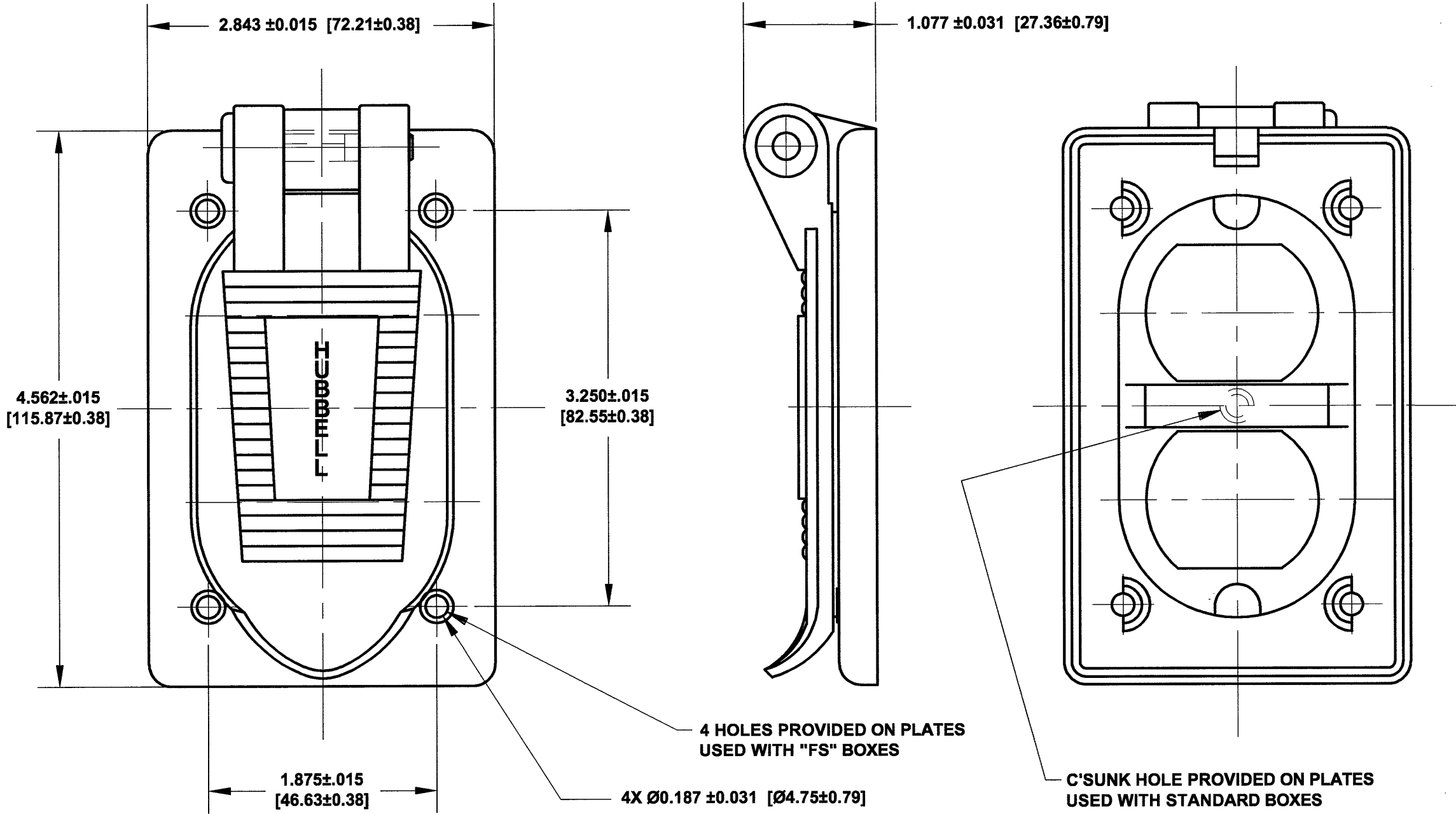


M-5895 3



LIST OF PARTS		
DESCRIPTION	MATERIAL	FINISH
COVER	VALOX	SEE CHART
FLAP	VALOX	SEE CHART
GASKETS	NEOPRENE	BLACK
SPRING	SST	
RIVET	SST	

SYM	REVISIONS	APP	DATE
3	REDRAWN IN AUTOCAD WITH CHANGES: ADDED DUAL DIMENSIONS & NOTE 1; TO TABLE ADDED CAT. NO. HBL5221M1 AND "UL" & "CSA" COLUMNS. IN LIST OF PARTS, "VALOX" WAS "LEXAN" PER DCN #12425. JMN	WRV WRV	8/9/05

REPAIRABLE NON-REPAIRABLE B

CAT. NO	COLOR	4 HOLES	C'SUNK HOLE	U.L.	C.S.A.
5221	GRAY	X			
52CM21	YELLOW	X			
5222	GRAY		X		
52CM22	YELLOW		X		
HBL5221	GRAY	X		X	X
HBL52CM21	YELLOW	X		X	X
HBL5222	GRAY		X	X	X
HBL52CM22	YELLOW		X	X	X
HBL5221M1	GRAY	X		X	X

NOTES: (UNLESS OTHERWISE SPECIFIED)
1) DIMENSIONS SHOWN AS: INCHES[METRIC]

THE DESIGN AND DIMENSIONS OF THE PRODUCT SHOWN ON THIS DRAWING ARE SUBJECT TO CHANGE WITHOUT NOTICE

TITLE
WEATHERPROOF LIFT COVER PLATE FOR DUPLEX OUTLETS

TOLERANCES UNLESS OTHERWISE SPECIFIED	DR. BY K.F.	APP. BY
FRACTIONS ±1/64	TR. BY J.M.N.	SCALE 1:1
DECIMALS ±.005	CHK'D BY	DATE 8/9/05
ANGLES ±2°		