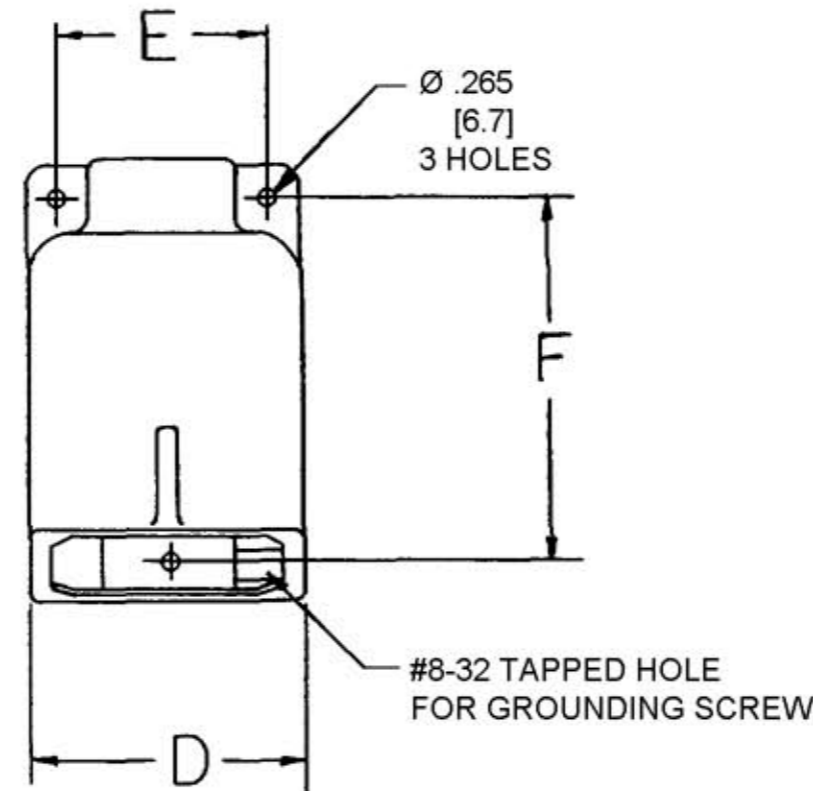
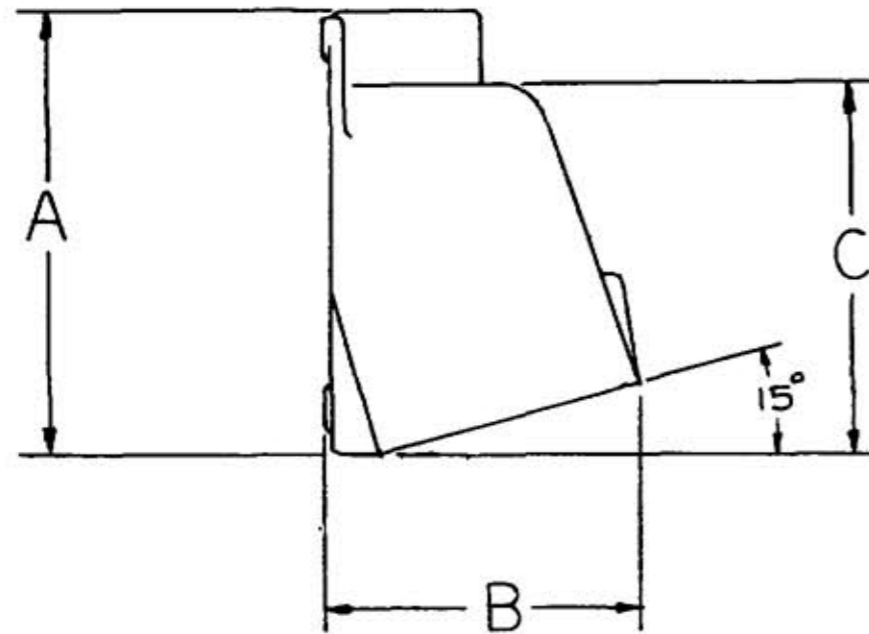


M-6049 3



LIST OF PARTS		
DESCRIPTION	MATERIAL	FINISH
BACK BOX	ALUM.	ENAMEL
HEX.HD.BD. SCREW	STEEL	GREEN ZINC PL.
CAT. NO. BB100-1W & BB100-2W ONLY		
BOX TERMINAL	ALUM.	

SUPERSEDES DWG.  
DATED 12-27-77

CATALOG NO'S.	DESCRIPTION	HUB SIZE	A	B	C	D	E	F	CAPACITY (IN <sup>3</sup> )
BB201W	FOR 20 & 30A, 3, 4, 5 WIRE	3/4" NPT	5.13 [130.3]	4.00 [101.6]	4.19 [106.4]	3.75 [95.2]	3.00 [76.2]	4.00 [101.6]	30
BB301W	FOR 20 & 30A, 3, 4, 5 WIRE	1" NPT	5.13 [130.3]	4.00 [101.6]	4.19 [106.4]	3.75 [95.2]	3.00 [76.2]	4.00 [101.6]	30
BB601W	FOR 60A, 3, 4, & 5 WIRE	1 1/4" NPT	7.25 [184.2]	5.25 [133.4]	6.00 [152.4]	4.50 [114.3]	3.75 [95.2]	6.19 [157.2]	80
BB602W	FOR 60A, 3, 4 & 5 WIRE	1 1/2" NPT	7.25 [184.2]	5.25 [133.4]	6.00 [152.4]	4.50 [114.3]	3.75 [95.2]	6.19 [157.2]	80
BB1001W	FOR 100A, 3, 4, & 5 WIRE	1 1/2" NPT	8.13 [206.5]	6.75 [171.4]	6.88 [174.8]	5.50 [139.7]	4.75 [120.6]	6.94 [176.3]	130
BB1002W	FOR 100A, 3, 4, & 5 WIRE	2" NPT	8.13 [206.5]	6.75 [171.4]	6.88 [174.8]	5.50 [139.7]	4.75 [120.6]	6.94 [176.3]	130

SYM	REVISIONS	APP	DATE
3	REVISED HUB SIZE TO NPT; REMOVED TOLS. FROM TABLE ADDED METRIC EQUIV. PER DCN 11902 RCM	JPP	2/5/05
2	CONVERTED ALL DIMS TO 2 PL DECIMAL & ADDED TOL, REMOVED DASHES FROM P/N, PER DCN #7793. AMZ DB		7-17-00
1	REDRAWN & REVISED ALL	MM	12-14-89

TITLE  
METALLIC ANGLE BACK BOXES

TOLERANCES UNLESS OTHERWISE SPECIFIED FRACTIONS ± 1/64 DECIMALS ± .005 ANGLES ± 2°	HARVEY HUBBELL, INC.	
	BRIDGEPORT, CONN.	
	DR. BY <u>A.J.L.</u>	APP. BY _____
	TR. BY _____	SCALE <u>1/2"</u>
CHK'D. BY _____	DATE <u>12-27-77</u>	

CODE 74545

DIMENSION SHEET FOR CAT. NO. SEE TABLE  
 REPAIRABLE  NON-REPAIRABLE   
**B**  
**M-6049**  
**3**