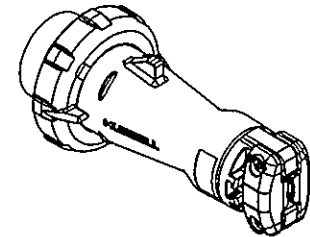
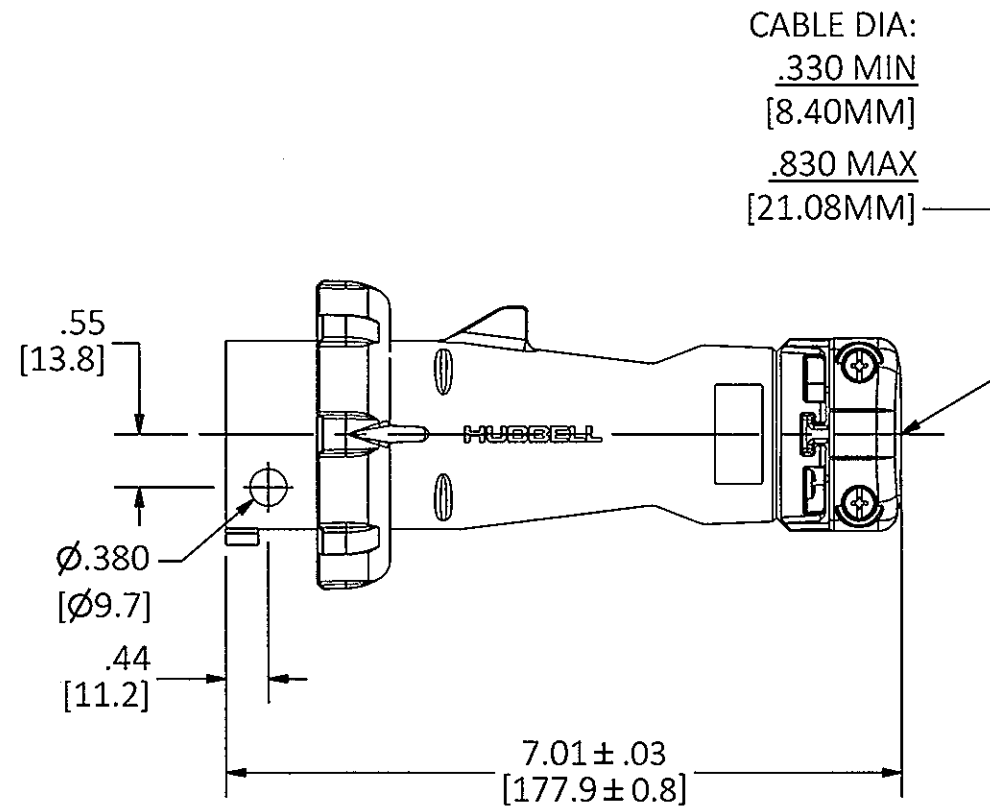
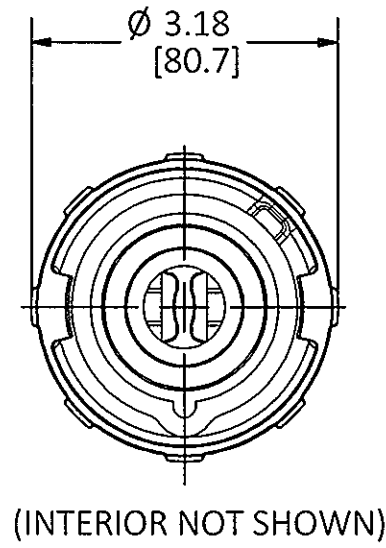


M-13326

1



LIST OF PARTS		
DESCRIPTION	MATERIAL	FINISH
HOUSING	PBT	
GASKET	RUBBER	
LOCKING RING	PBT	
INTERIOR	THERMOSET	
PINS	BRASS	
TERM. SCREWS	ST. STEEL	
GLAND CAP	PBT	
GLANDS	RUBBER	
CLAMPS	PBT	
CLAMP NUTS	BRASS	NICKEL
ASSY SCREWS	ST. STEEL	

CAT. NO.	CONFIG.	RATING	HOUSING COLOR
HBL420P5W		20A 600VAC 3Ø	BLACK
HBL420P6W		20A 380-415VAC 3Ø 16A - 6h/380-415V~	RED
HBL420P7W		20A 480VAC 3Ø	RED
HBL420P9W		20A 250VAC 3Ø 16A - 9h/200-250V~	BLUE
HBL420P12W		20A 125/250VAC	ORANGE

1	INITIAL RELEASE PER DCN 21982 Mr. B	TLS	3/10/16
REV	DESCRIPTION	APP	DATE

THE DESIGN AND DIMENSIONS OF THE PRODUCT SHOWN ON THIS DRAWING ARE SUBJECT TO CHANGE WITHOUT NOTICE. DIMENSIONS ARE IN INCHES [mm].

TITLE  
 16A & 20A 3 POLE 4 WIRE PIN AND SLEEVE PLUGS

WIRING DEVICE-KELLEMS  
 HUBBELL INCORPORATED  
 SHELTON, CT

TOLERANCES UNLESS OTHERWISE SPECIFIED .XX = ± .01 .XXX = ± .005 ANGLE TOL. ± 2°	DR. BY Mr. B CHK. BY TLS	SCALE 1:2 DATE 3/2/16
------------------------------------------------------------------------------------------	-----------------------------	--------------------------

DIMENSION SHEET FOR CAT. NO.

SEE TABLE

**B**

M-13326

**1**