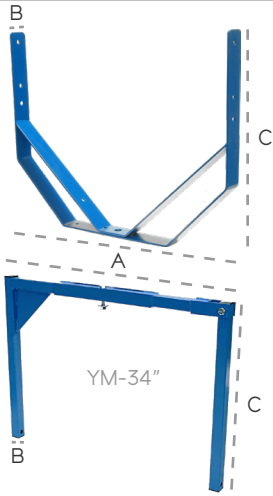


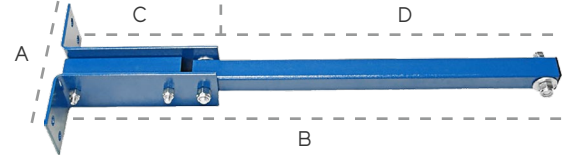
MOUNTING OPTIONS

YOKE MOUNT STANDARD



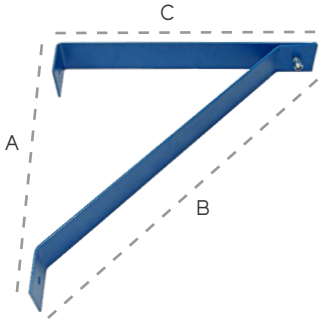
| FAN SIZE | MOUNT DIMENSIONS | | | SHIPPING WEIGHT |
|----------|------------------|----|--------|-----------------|
| | A | B | C | |
| 14" | 14" | 2" | 14" | 4 lbs |
| 18" | 19.5" | 2" | 14.5" | 8 lbs |
| 22" | 24" | 2" | 18" | 10 lbs |
| 26" | 28" | 4" | 19.5" | 21 lbs |
| 30" | 30.5" | 4" | 20.75" | 24 lbs |
| 34" | 36" | 2" | 29" | 25 lbs |

TRUCK COOLER DOCK DOOR MOUNT



| A | MOUNT DIMENSIONS | | | D | SHIPPING WEIGHT |
|-------|------------------|-----|-----|--------|-----------------|
| | B | C | | | |
| 10.5" | 36" | 11" | 25" | 16 lbs | |

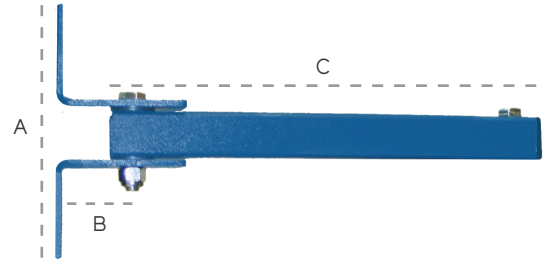
COLUMN-WALL



| FAN SIZE | MOUNT DIMENSIONS | | | SHIPPING WEIGHT |
|----------|------------------|-------|-----|-----------------|
| | A | B | C | |
| 10" | 14" | 19" | 14" | 4 lbs |
| 14-22" | 22" | 30.5" | 22" | 13 lbs |
| 26-30" | 27" | 38" | 29" | 20 lbs |
| 34" | 36" | 43" | 30" | 24 lbs |

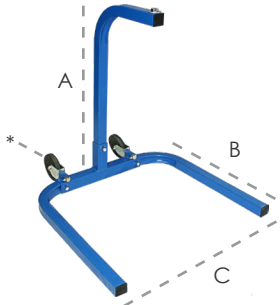
OSCILLATORS AVAILABLE

RACK MOUNT PICK MODULE FANS



| FAN SIZE | MOUNT DIMENSIONS | | | SHIPPING WEIGHT |
|----------|------------------|----|-------|-----------------|
| | A | B | C | |
| 14" | 10.5" | 3" | 14.5" | 5 lbs |
| 18" | 10.5" | 3" | 17" | 7 lbs |
| 22" | 10.5" | 3" | 19" | 8 lbs |
| 26-30" | 10.5" | 3" | 21" | 10 lbs |

PORTABLE STROLLER

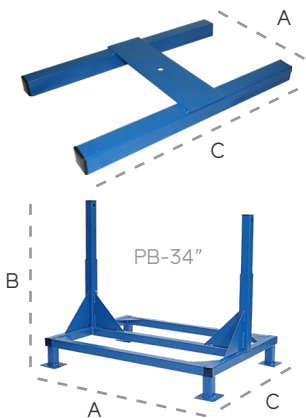


| FAN SIZE | MOUNT DIMENSIONS | | | SHIPPING WEIGHT |
|----------|------------------|-----|-----|-----------------|
| | A | B | C | |
| 14-30" | 32" | 35" | 32" | 36 lbs |

* 5" Castor Wheels

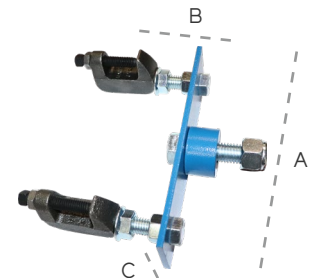
OSCILLATORS AVAILABLE

PEDESTAL BASE



| FAN SIZE | MOUNT DIMENSIONS | | | SHIPPING WEIGHT |
|----------|------------------|-------|-------|-----------------|
| | A | B | C | |
| 14" | 12" | - | 14.5" | 6 lbs |
| 18-22" | 15" | - | 23" | 12 lbs |
| 26" | 16" | - | 26" | 15 lbs |
| 30" | 20" | - | 26" | 15 lbs |
| 34" | 41.5" | 32.5" | 28.5" | 106 lbs |

BEAM CLAMP



| FAN SIZE | MOUNT DIMENSIONS | | | SHIPPING WEIGHT |
|----------|------------------|----|----|-----------------|
| | A | B | C | |
| 14-30" | 7" | 3" | 2" | 3 lbs |