



SERVICE PARTS LIST

BULLETIN NO.
54-06-2245

SPECIFY CATALOG NO. AND SERIAL NO. WHEN ORDERING PARTS				REVISED BULLETIN	DATE
MILWAUKEE® Rechargeable Headlamp and Magnetic Task Light					Nov. 2021
CATALOG NO.	2012R	STARTING SERIAL NO.	M17A	WIRING INSTRUCTION	

EXAMPLE:

00	0
----	---

 Component Parts (Small #) Are Included When Ordering The Assembly (Large #).

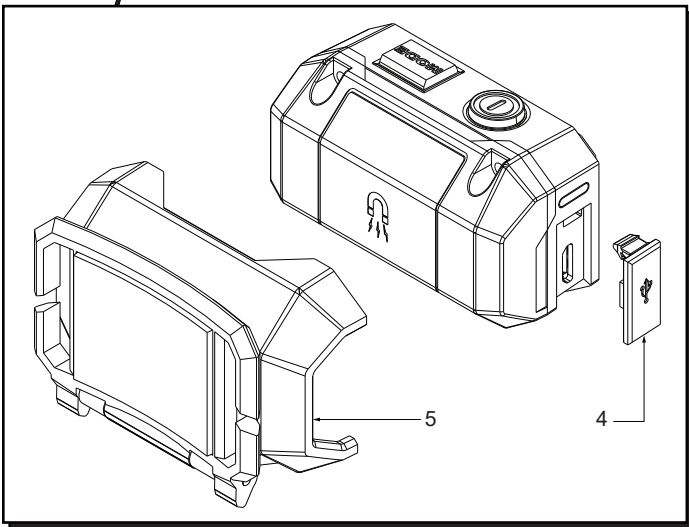
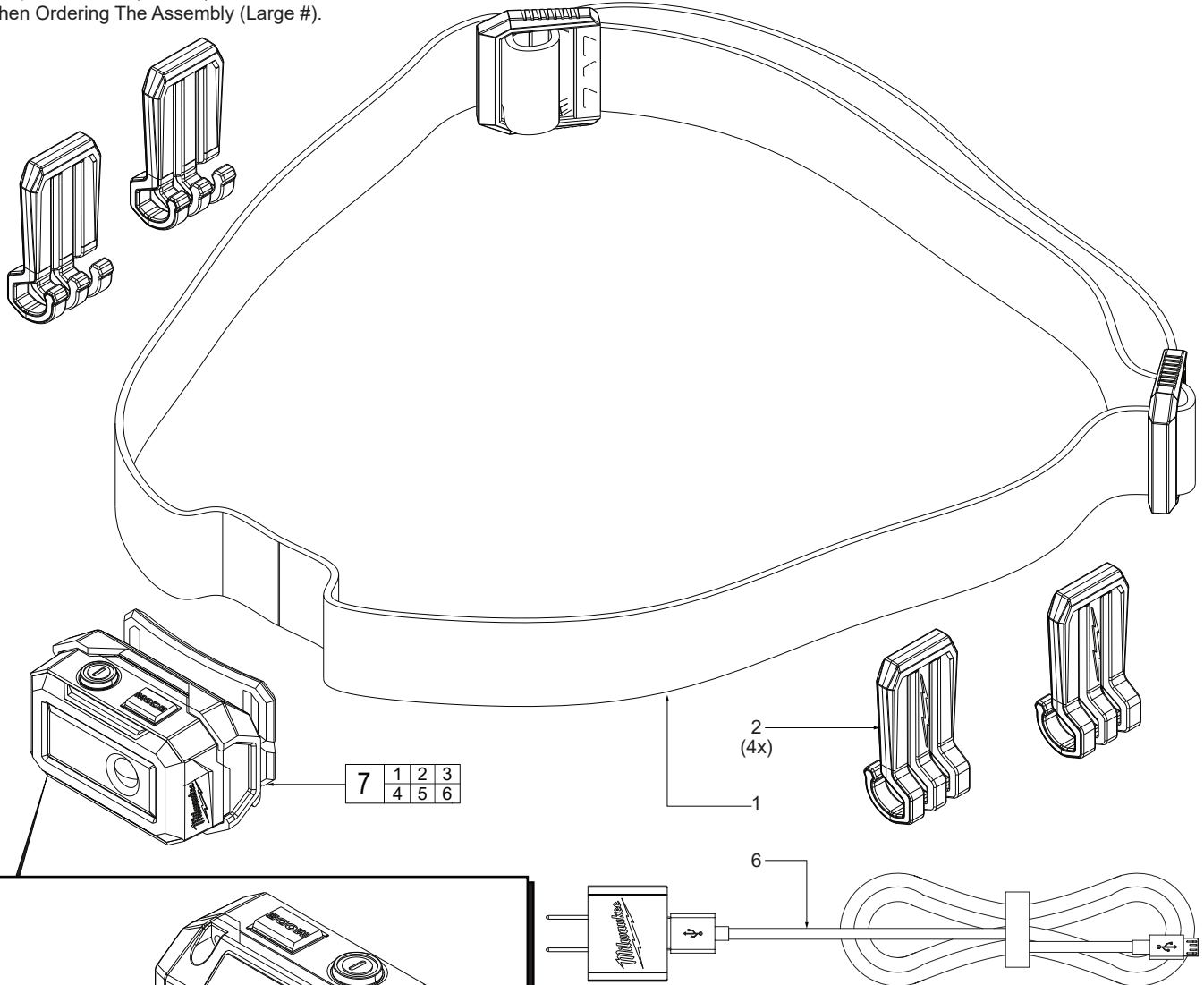


FIG.	PART NO.	DESCRIPTION OF PART	NO. REQ.
1	45-56-2012	Strap	(1)
2	42-70-2103	Hard Hat Clips (Set of 4)	(1)
3	12-20-2012	Service Nameplate (Not Shown)	(1)
4	31-15-2012	USB Cover	(1)
5	43-75-2012	Strap Holster Service Assembly	(1)
6	44-66-1215	2 foot USB Cable and Wall Plug (Accessory)	(1)
7	2012R	Rechargeable Headlamp & Magnetic Task Light	(1)

FIG. NOTES

3 A clean, dry surface is essential for proper performance for any adhesive system. The area intended for application of any adhesive label or nameplate must be prepared by cleaning with isopropyl alcohol. The solvent is to be applied with a clean, lint free applicator and the surface allowed to dry before applying the label or nameplate.