



# SERVICE PARTS LIST

**BULLETIN NO.**  
**54-06-1107**

SPECIFY CATALOG NO. AND SERIAL NO. WHEN ORDERING PARTS			REVISED BULLETIN	DATE
MILWAUKEE® Rechargeable 250L Penlight with Laser				Dec. 2020
CATALOG NO.	2010R	STARTING SERIAL NO.	M18A	
			WIRING INSTRUCTION	

**EXAMPLE:**  

00	0
----	---

 Component Parts (Small #) Are Included  
 When Ordering The Assembly (Large #).

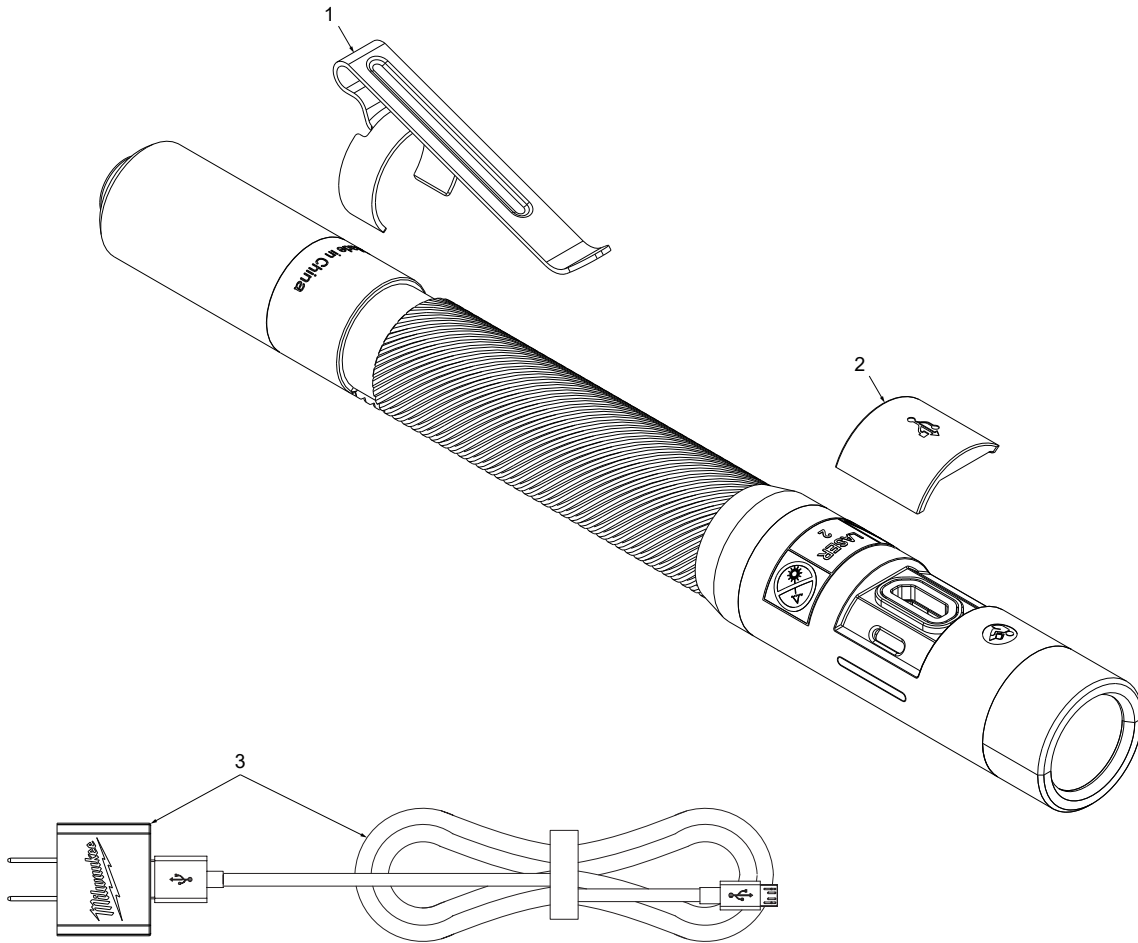


FIG.	PART NO.	DESCRIPTION OF PART	NO. REQ.
1	42-70-0006	Clip	(1)
2	31-15-2009	USB Port Cover	(1)
3	48-59-1202	Wall Plug and 3 ft. USB Cable (Optional)	(1)