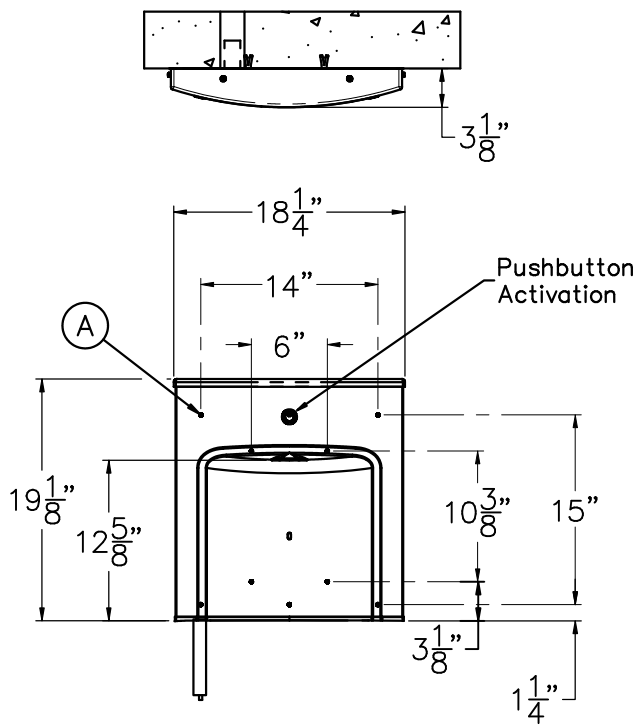


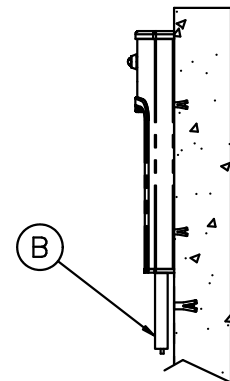
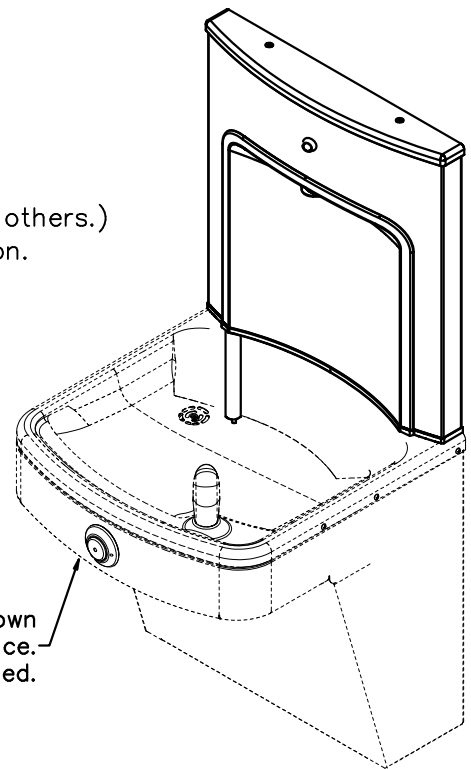
SPECIFY

- BF11 Pushbutton Activation Bottle Filler
- WF1 1500 Gallon Capacity Water Filter Option ** See Note

- A. $\phi 1/4$ " Holes, 10 Places for Anchoring Hardware. (Hdwe provided by others.)
- B. $\phi 1/4$ " LLDPE Supply Tubing Connection with $\phi 1$ " Foam Pipe Insulation.



Fixture Shown for Reference. Not included.



MURDOCK BF-11 SERIES BOTTLE FILLERS

Bottle Filler (only) intended for use with model A171, A172 Series Water/Cooler/Drinking Fountain. Unit mounts to wall and is intended for use with an existing fountain. Available with Pushbutton Activation, Bottle Filler provides approx 1.0 GPM flow rate with Laminar Flow Water Supply. Fabricated of type 304 stainless steel with exposed surfaces polished to a #4 satin finish. Includes impact resistant anti-microbial ABS backsplash. Unit is certified to ANSI A117.1, Public Law 111-380 (No Lead). CHSC 116875 and NSF/ANSI 61, Section 9. **NOTE: Optionally available with -WF1 Water Filter however, filter must be housed in Drinking Fountain cabinet.

Refer to WF-1 submittal for additional data. BF11 installation detail: Dwg 7020-956-001.

WARNING: CANCER AND REPRODUCTIVE HARM -
www.P65WARNINGS.CA.GOV

APPROVAL OF THIS MODIFIED SUBMITTAL IS AUTHORIZATION FOR PRODUCTION WITH MODIFICATIONS SHOWN AND NONE OTHERS WHETHER VERBAL OR IMPLIED. NO FURTHER MODIFICATIONS PERMITTED AFTER RECEIPT OF THIS DOCUMENT BY MURDOCK-SUPER SECURE, A MEMBER OF MORRIS GROUP INTERNATIONAL. Approved By: _____ Date: _____

ITEM	QTY.	MODEL NO.
BF11 SERIES BOTTLE FILLERS		
JOB		
LOCATION		
ARCH.		
M.E. I:\E\MUR ENG		



MURDOCK-SUPER SECUR
P.O. Box 3527 Industry, CA 91744
15125 Proctor Ave Industry, CA 91746
Phone: (800) 591-9880
www.murdock-supersecure.com

DATE	REVISION	DRN. BY	DWG. NO.
07/20/20	A073020	TPG	M-ENG-016